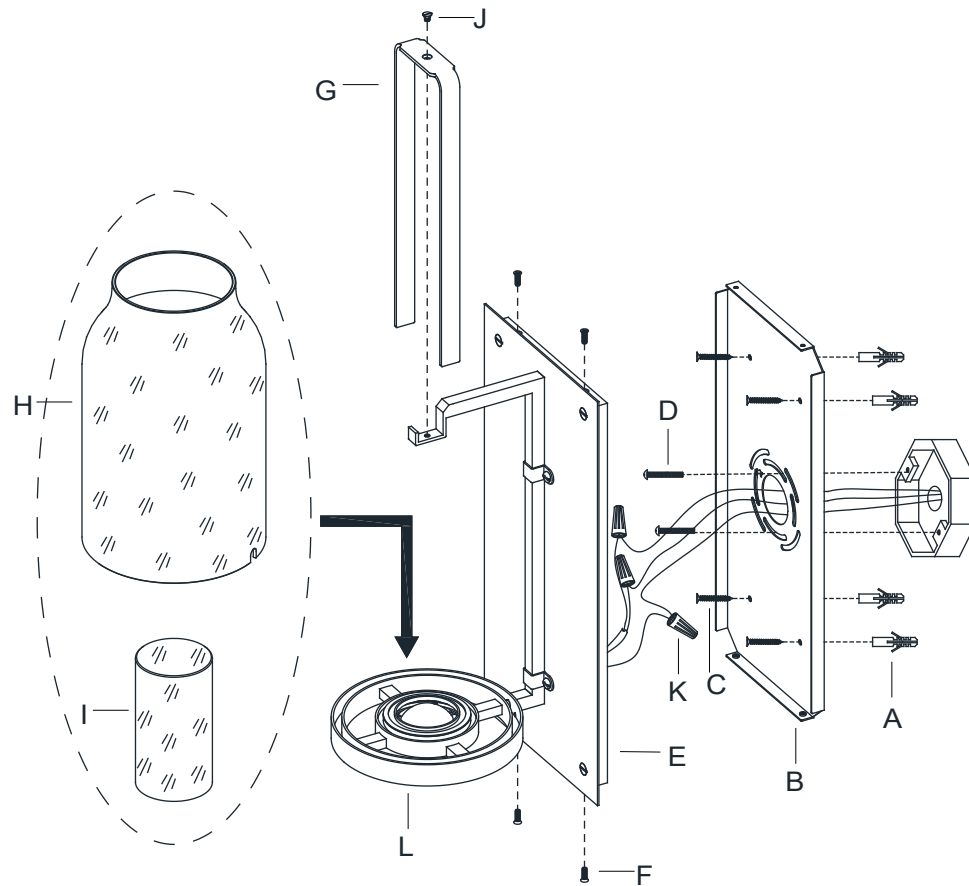


ASSEMBLY INSTRUCTIONS



Ollie Small Wall Lantern

Item # RL 2810

NOTICE:

This light fixture should be installed in accordance with all applicable, local installation codes, and by a person familiar with the construction and operation of it, as well as the hazards involved. Inspect item and contents carefully. If any damage or defect is found, do not install. Retain all packaging material until installation is complete and approved.

1. Carefully remove all parts from the box. Place on a clean, soft surface.
2. Remove the mounting plate (B) from the backplate (E) by loosening the side screws (F)
3. Put the mounting plate (B) on the wall, mark the anchor holes position with pencil (not included). Drill holes on the wall and insert the anchors (A) into the holes.
4. Attach the mounting plate (B) to the junction box and secure with the mounting screws (D), then secure the wood screws (C) into the anchors (A).
5. Wrap the fixture ground wire to the green ground screw on the mounting plate (B) and secure, then connect to the ground wire in the junction box using the wire nut (K).

IT IS IMPERATIVE THAT THIS FIXTURE BE GROUNDED.

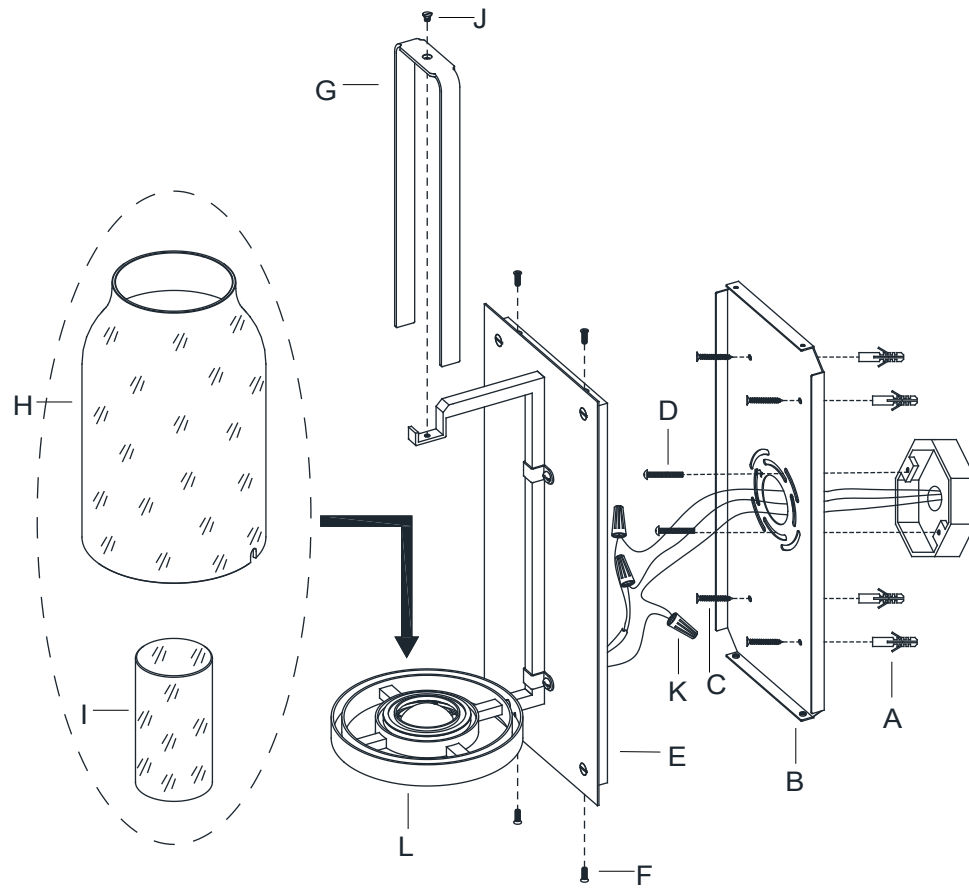
6. Connect the fixture white wire to the neutral wire in the junction box using the wire nut (K).
7. Connect the fixture black wire to the hot wire in the junction box using the wire nut (K).

DO NOT REVERSE THE HOT AND NEUTRAL CONNECTIONS OTHERWISE SAFETY WILL BE COMPROMISED.

8. Attach the backplate (E) to the mounting plate (B) and secure with the side screws (F)
9. Remove the U-bracket (G) from the arm, carefully thread the glass (I) to the bottom of shade holder (L), then place the glass (H) on the shade holder (L), then attach the U-bracket (G) to the arm and secure with the screw (J).

RALPH LAUREN

ASSEMBLY INSTRUCTIONS



Ollie Small Wall Lantern

Item # RL 2810

NOTICE:

This light fixture should be installed in accordance with all applicable, local installation codes, and by a person familiar with the construction and operation of it, as well as the hazards involved. Inspect item and contents carefully. If any damage or defect is found, do not install. Retain all packaging material until installation is complete and approved.

10. With silicone caulking compound, caulk completely around where back of backplate meets the wall surface to prevent water from seeping into the junction box.
11. Installation is complete, turn on power at fuse or circuit breaker.

Care Instructions: Clean only with a soft dry cloth or feather duster. Do not use abrasive or chemical agents.

RALPH LAUREN

