

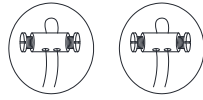
ASSEMBLY INSTRUCTIONS

Keating Medium Sconce

Item # RL 2164

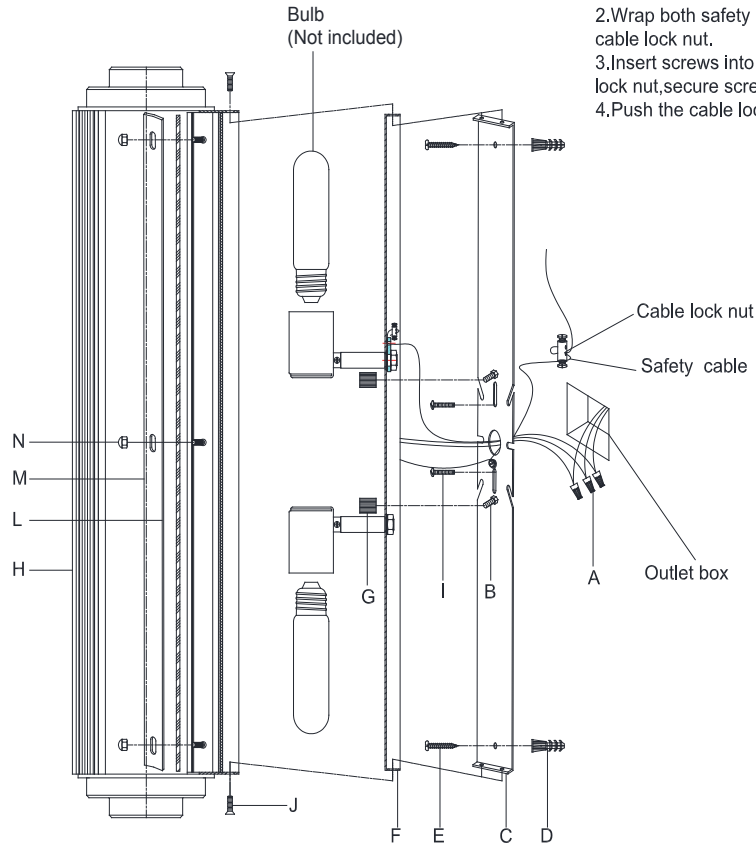
NOTICE:

This light fixture should be installed in accordance with all applicable, local installation codes, and by a person familiar with the construction and operation of it, as well as the hazards involved. Inspect item and contents carefully. If any damage or defect is found, do not install. Retain all packaging material until installation is complete and approved.



TO assemble safety cables:

1. Join fixture safety cables with safety cable from wall.
2. Wrap both safety cable around the cable lock nut.
3. Insert screws into both holes on cable lock nut, secure screws with screwdriver.
4. Push the cable lock nut into outlet box.



1. Carefully remove all parts from the box.
2. Remove the back plate (F) from the fixture body (H) by loosening side screws (J).
3. Remove the mounting plate (C) from the back plate (F) by loosening nuts (G).
4. Drill 2 holes on the wall and make sure the hole distance will match to the mounting plate (C) holes.
5. Knock the anchors (D) into the wall holes.
6. Affix mounting plate (C) onto the outlet box and secure with mounting screws (I & E).
7. Connect the hot wire (BLACK) from the fixture to the hot wire from the outlet box (usually BLACK). Fasten them together with a plastic wire connector (A) provided and wrap the connection with electrical tape.
8. Connect the neutral wire (WHITE) from the fixture to the wire from the outlet box (usually WHITE).
DO NOT REVERSE THE HOT AND NEUTRAL CONNECTIONS OR SAFETY WILL BE COMPROMISED.
9. Connect ground wire from the fixture (bare copper) to ground wire from the outlet box (usually green or copper in color).
IT IS IMPERATIVE THAT THIS FIXTURE BE GROUNDED.
10. Attach the back plate (F) to the mounting plate (C), letting the rods (B) pass through the holes on the back plate (F), then secure with nuts (G).

RALPH LAUREN

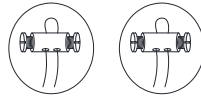
ASSEMBLY INSTRUCTIONS

Keating Medium Sconce

Item # RL 2164

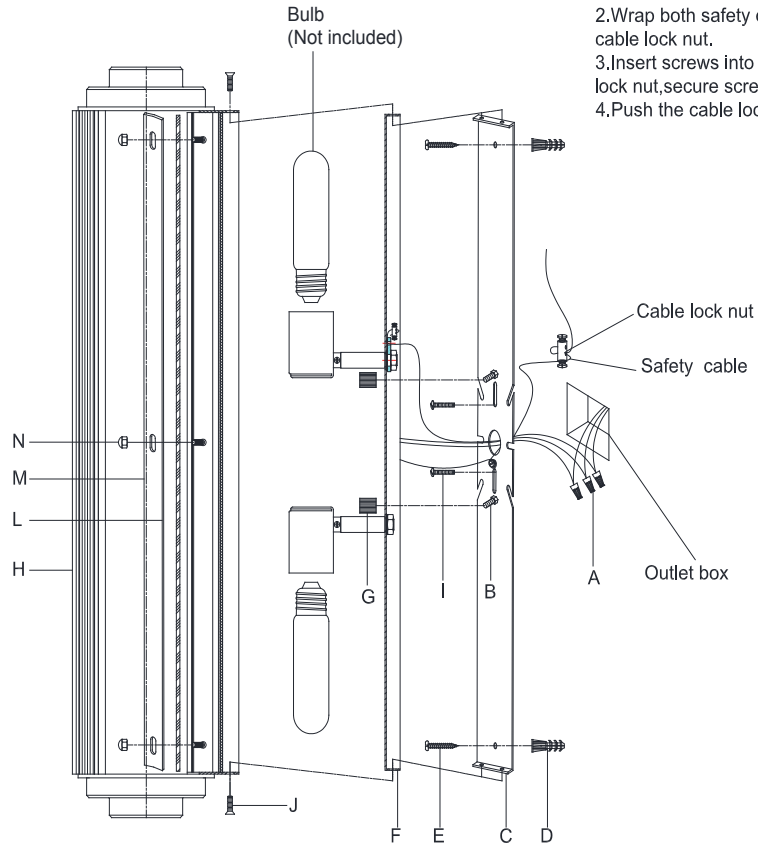
NOTICE:

This light fixture should be installed in accordance with all applicable, local installation codes, and by a person familiar with the construction and operation of it, as well as the hazards involved. Inspect item and contents carefully. If any damage or defect is found, do not install. Retain all packaging material until installation is complete and approved.



TO assemble safety cables:

1. Join fixture safety cables with safety cable from wall.
2. Wrap both safety cable around the cable lock nut.
3. Insert screws into both holes on cable lock nut, secure screws with screwdriver.
4. Push the cable lock nut into outlet box.



11. Attach the glass (L) to the fixture body (H) and secure with metal panels (M) and nuts (N).
12. Insert bulb (not included) into the socket.
13. Attach the fixture body (H) to the back plate (F) and secure with side screws (J).
14. Installation is complete, turn on power at fuse or circuit breaker.

Care Instructions: Clean only with a soft dry cloth or feather duster. Do not use abrasive or chemical agents.

RALPH LAUREN

