

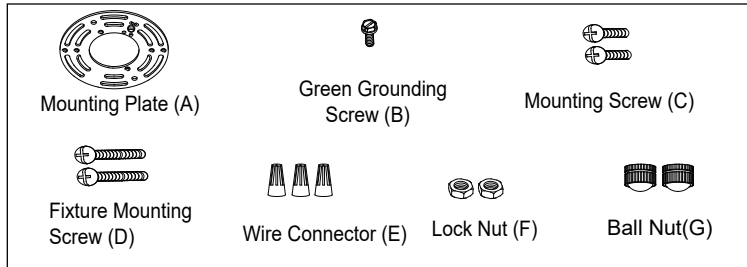
ASSEMBLY AND INSTALLATION INSTRUCTIONS

P0294

WARNING: TO AVOID RISK OF ELECTRICAL SHOCK, BE SURE TO SHUT OFF POWER BEFORE INSTALLING OR SERVICING THIS FIXTURE.

NOTES: 1. Before installing, consult local electrical codes for wiring and grounding requirements.
2. READ AND SAVE THIS INSTRUCTION.

Hardware Package (included):

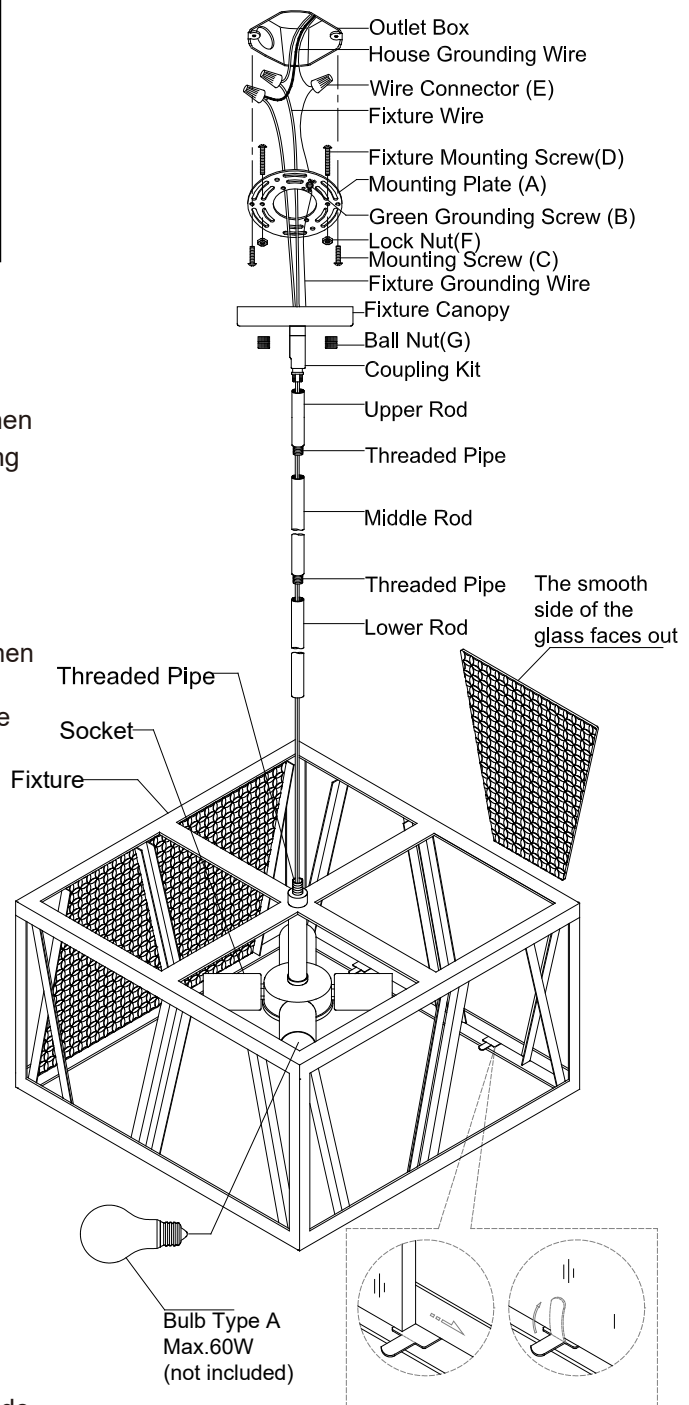


Installation Steps

Turn off the power at fuse or circuit box.

1. Thread the fixture mounting screws through mounting plate, and then secure them with two lock nuts. Adjust the length of fixture mounting screws if necessary.
2. Attach mounting plate to the outlet box using two mounting screws.
3. Rod Connections:
 - a. Thread the fixture wire from the fixture through the lower rod, and then secure the lower rod onto fixture using the threaded pipe.
 - b. Thread the fixture wire through the middle rod, and then secure the middle rod onto the lower rod using the threaded pipe.
 - c. Thread the fixture wire through the upper rod, and then secure the upper rod onto the middle rod using the threaded pipe.

Note: Length adjustable from 15-1/4" to 69-1/4". Use fewer rods if shorter length is desired.
4. Thread the fixture wire through the fixture canopy, and then secure the rod assembly to the coupling kit of the fixture canopy.
5. Pull out the source wires from the outlet box. Make wire connections using wire connectors as follows:
 - Connect the smooth-coated wire (marked) from the fixture to the black wire from the power source.
 - Connect the ribbed-coated wire (unmarked) from the fixture to the white wire from the power source.
 - Attach the fixture grounding wire to the mounting plate with the green grounding screw, and then connect it to the house grounding wire with a wire connector.Carefully put the wires back into the outlet box.



6. Put the glass into the trapezoidal frame, always keep the smooth side of the glass face out, press the small iron shim in the frame onto the glass and make sure it is tight.
7. Install bulbs (not included). Check relamping label at socket area or packaging for maximum allowed wattage.

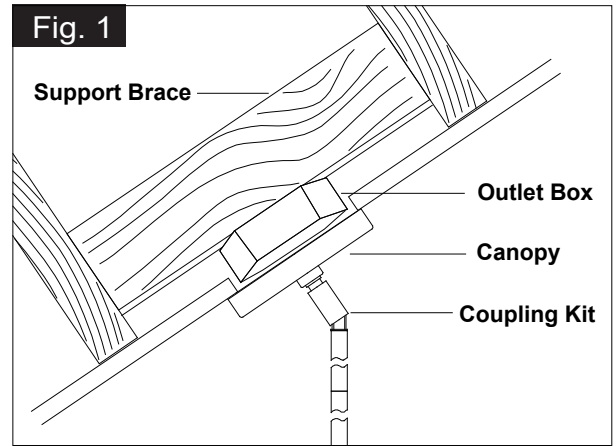
 VAXCEL

181206

8. Attach the fixture canopy to the mounting plate by inserting the fixture mounting screws, and then secure it with two ball nuts.

9. Angled mounting recommended for a vaulted or angled ceiling. (See Fig. 1)

Turn on the power at fuse or circuit box.



For Semi-Flush

Turn off the power at fuse or circuit box

1. Thread two fixture mounting screws to the mounting plate, and then secure with two lock nuts. Adjust the length of the fixture mounting screws if necessary.
2. Attach the mounting plate to the outlet box by using two mounting screws.
3. Thread the fixture wire from the fixture through the rod, and then secure the lower rod onto fixture using the threaded pipe.

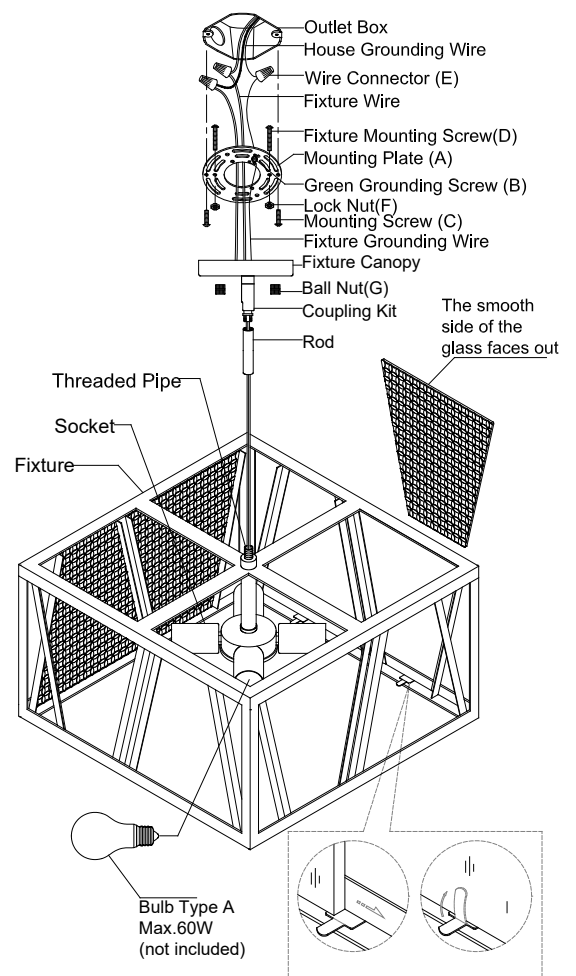
4. Thread the fixture wire through the fixture canopy, and then secure the rod assembly to the coupling kit of the fixture canopy.

5. Pull out the source wires from the outlet box. Make wire connections using wire connectors as follows:
 - Connect the smooth-coated wire (marked) from the fixture to the black wire from the power source.
 - Connect the ribbed-coated wire (unmarked) from the fixture to the white wire from the power source.
 - Attach the fixture grounding wire to the mounting plate with the green grounding screw, and then connect it to the house grounding wire with a wire connector.
 Carefully put the wires back into the outlet box.

6. Put the glass into the trapezoidal frame, always keep the smooth side of the glass face out, press the small iron shim in the frame onto the glass and make sure it is tight.

7. Install bulbs (not included). See relamping label at socket area or packaging for maximum allowed wattage.

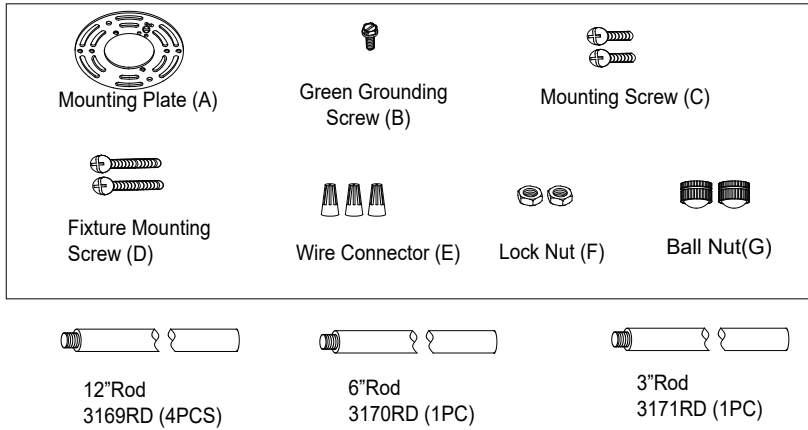
8. Attach the canopy to the mounting plate by inserting the fixture mounting screws, then secure it with two ball nuts.



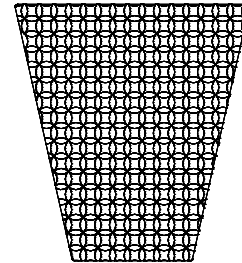
Turn on the power at fuse or circuit box

The following parts are available for re-order if damaged or missing.

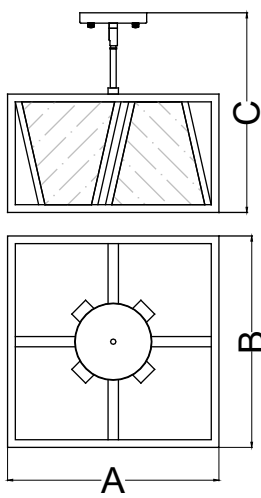
Spare Parts List:



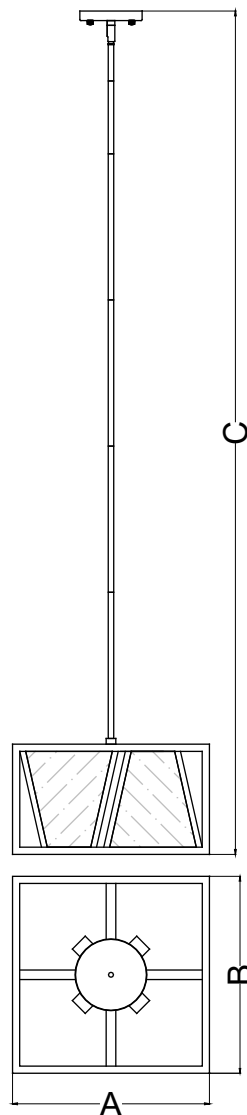
→ Mounting Hardware
6016MM (1 SET)



CLEAR TEXTURE GLASS
10045CT (8pcs)



A: 16-1/4"
B: 16-1/4"
C: 15-1/4"



A: 16-1/4"
B: 16-1/4"
C: 15-1/4"~69-1/4"