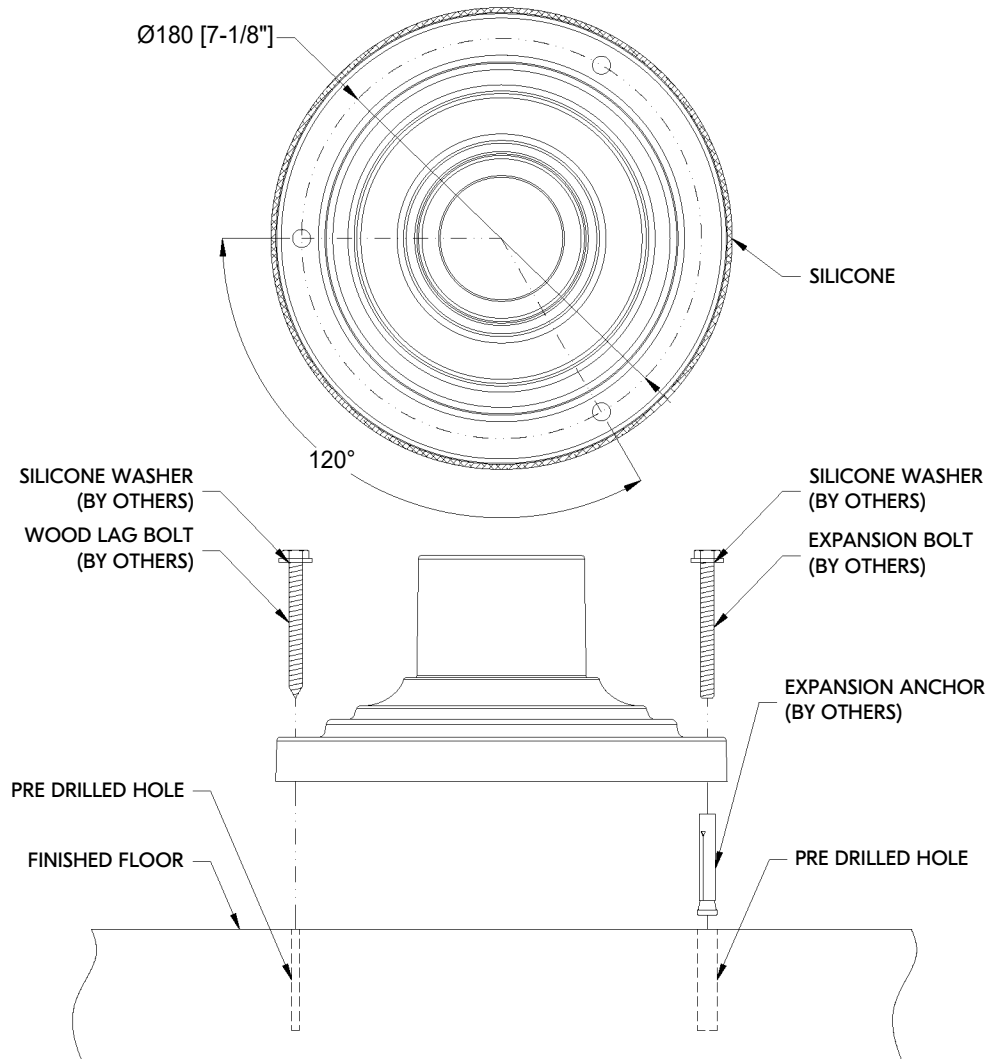


PIER MOUNT INSTALLATION



1. Using the Pier mount as a Template. Lay flat where you are installing and mark your holes for drilling
2. If installing into Wood. We recommend using  $\frac{1}{4}$ " Lag Bolts. These can be purchased at your local hardware store or home center. Drill a  $\frac{3}{16}$ " pilot hole first into the wood to prevent cracking.
3. If installing into Concrete or Masonry. We recommend using lead insert or expansion nuts designed for masonry. These are also available to purchase at your local hardware store or home center. Follow manufactures instructions for pilot holes.
4. Place the Pier Mount over the holes. Put Silicone washers over the Bolts and tighten to the surface.
5. Once the Pier mount is secure to the surface. Run a Bead of Silicone around the edge