

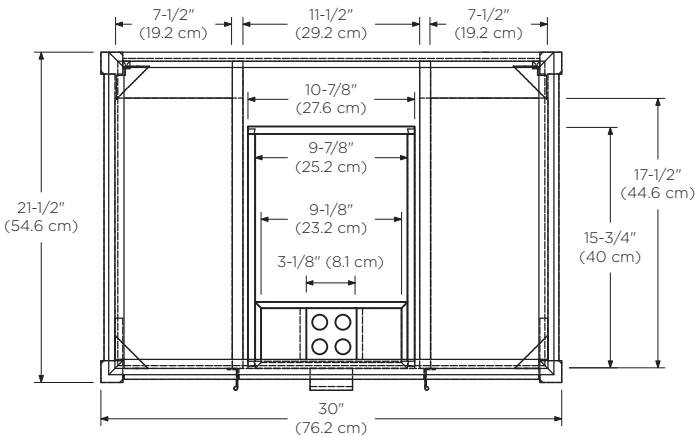
**Model :** 054030

- Features :**
- 2 trapezoid shaped side doors with Hettich brand hardware
  - 2 wooden shelves
  - 1 soft close tilt down square center drawer with organizer and Hettich brand hardware
  - 1 full extension soft close trapezoid shaped lower drawer with Hettich brand hardware
  - Brushed metal inlay detail on doors and drawers
  - Solid wood drawer box construction with dovetail construction
  - Fully finished interiors
  - Solid wood construction (no MDF)
  - Multi-step polyurethane finish resists moisture and scratches
  - U.S. PATENT PENDING

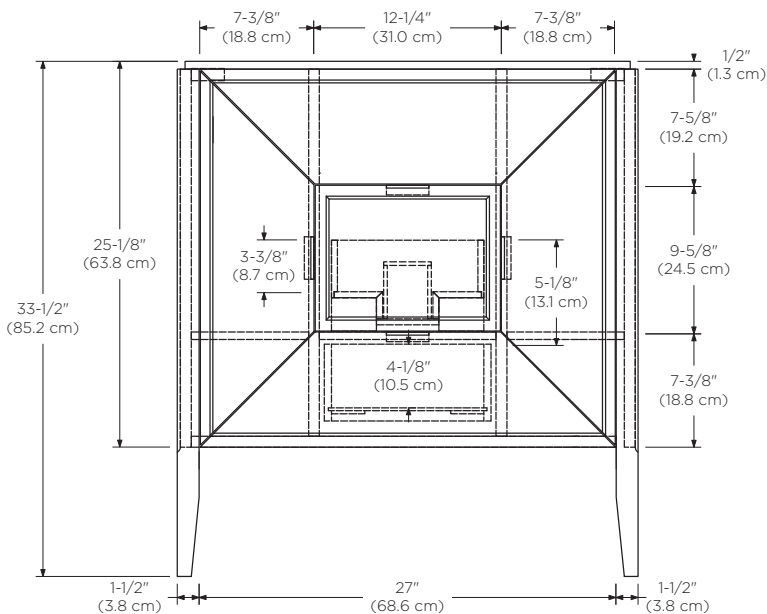
All Ronbow cabinets are made of solid hardwood or hardwood plywood and meet strict CARB II Standards. No particle board or Micro-Density Fiberboard (MDF) are used.

**Available Finishes:** Navy (F22) with Brushed Brass metal inlay  
 Oak Toscana (E82) with Brushed Nickel metal inlay  
 White (W01) with Brushed Nickel metal inlay

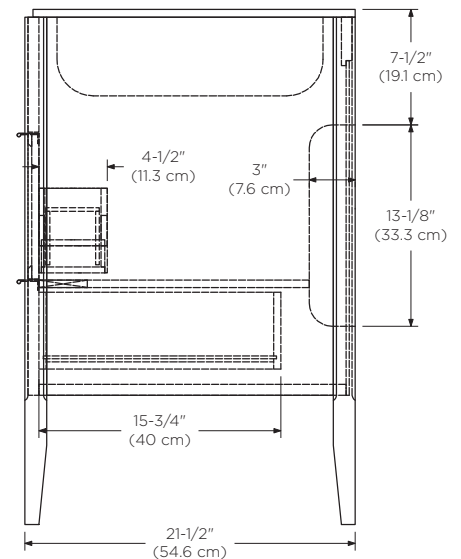
Top



Front



Side



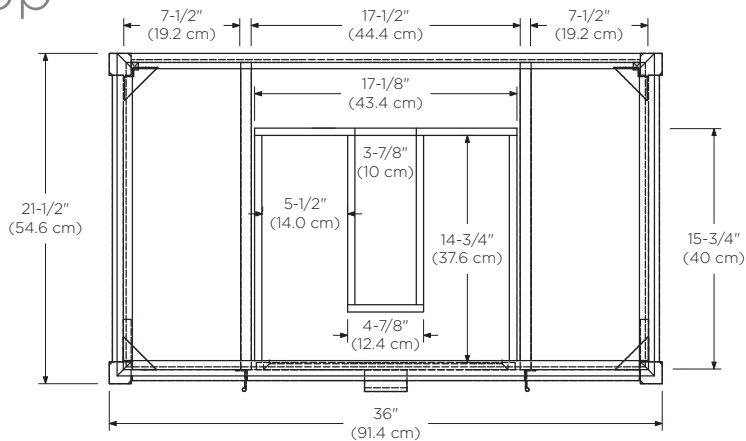
**Model :** 054036

- Features :**
- 2 trapezoid shaped side doors with Hettich brand hardware
  - 2 wooden shelves
  - 1 full extension soft close square center drawer with Hettich brand hardware
  - 1 full extension soft close trapezoid shaped lower drawer with Hettich brand hardware
  - Brushed metal inlay detail on doors and drawers
  - Solid wood drawer box construction with dovetail construction
  - Fully finished interiors
  - Solid wood construction (no MDF)
  - Multi-step polyurethane finish resists moisture and scratches
  - U.S. PATENT PENDING

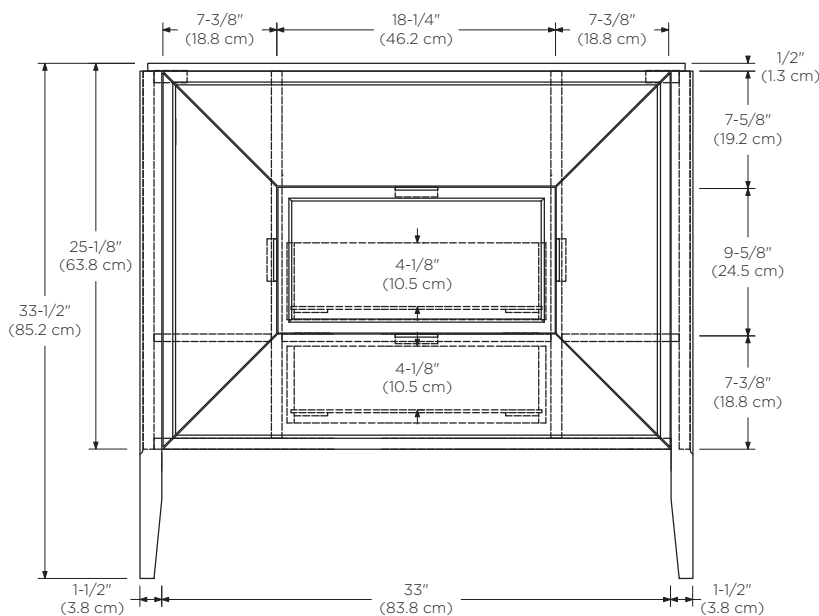
All Ronbow cabinets are made of solid hardwood or hardwood plywood and meet strict CARB II Standards. No particle board or Micro-Density Fiberboard (MDF) are used.

**Available Finishes:** Navy (F22) with Brushed Brass metal inlay  
 Oak Toscana (E82) with Brushed Nickel metal inlay  
 White (W01) with Brushed Nickel metal inlay

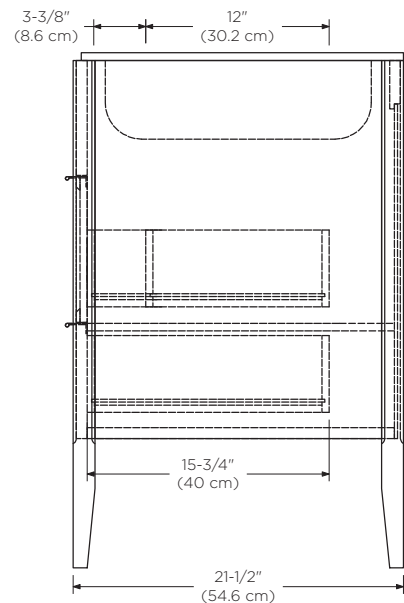
Top



Front



Side



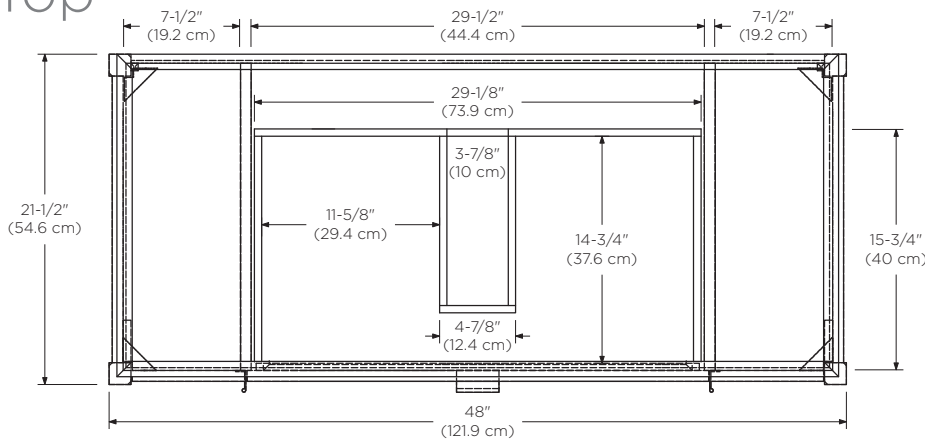
**Model :** 054048

- Features :**
- 2 trapezoid shaped side doors with Hettich brand hardware
  - 2 wooden shelves
  - 1 full extension soft close square center drawer with Hettich brand hardware
  - 1 full extension soft close trapezoid shaped lower drawer with Hettich brand hardware
  - Brushed metal inlay detail on doors and drawers
  - Solid wood drawer box construction with dovetail construction
  - Fully finished interiors
  - Solid wood construction (no MDF)
  - Multi-step polyurethane finish resists moisture and scratches
  - U.S. PATENT PENDING

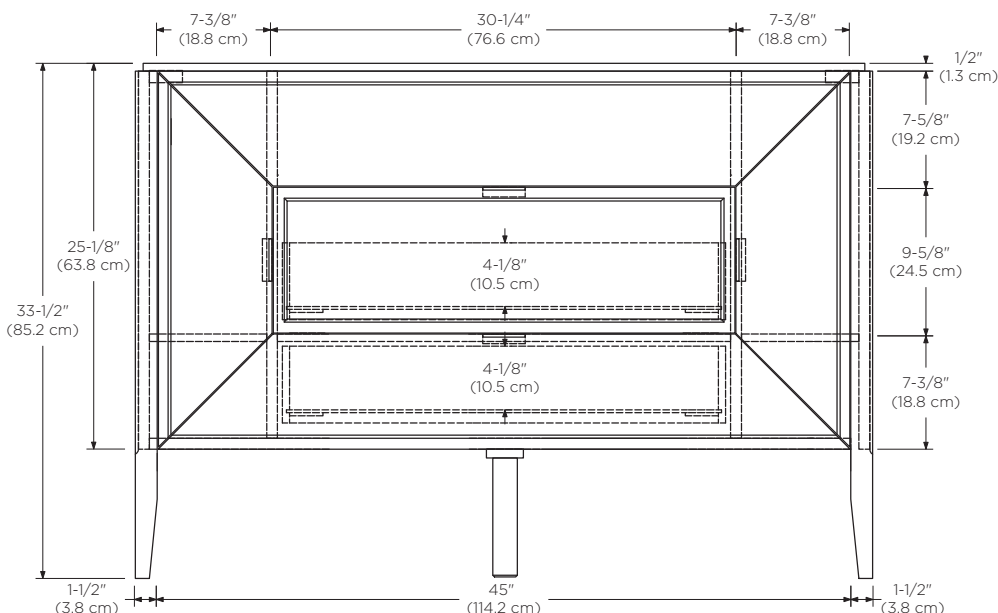
All Ronbow cabinets are made of solid hardwood or hardwood plywood and meet strict CARB II Standards. No particle board or Micro-Density Fiberboard (MDF) are used.

**Available Finishes:** Navy (F22) with Brushed Brass metal inlay  
 Oak Toscana (E82) with Brushed Nickel metal inlay  
 White (W01) with Brushed Nickel metal inlay

**Top**



**Front**



**Side**

