

Please go to www.quoizel.com for product cleaning tips. Go to the **Care + Maintenance** selection.

Tools Required: Flathead screwdriver, Phillips screwdriver, pliers, wire cutters, wire strippers, electrical tape, safety glasses.

Light Source: (1) A21 Medium Base bulb 150W Maximum or
 (1) Medium Base Vintage Bulb is recommended but not supplied.

Estimated Assembly Time: 20-30 minutes

Preparation: Identify and inspect all parts before beginning installation. Check package content list and diagrams below to ensure all parts are present. If any parts are missing or damaged, do not attempt to assemble, install, or operate the fixture. Contact customer service for replacement parts.

⚠ Warnings and Cautions

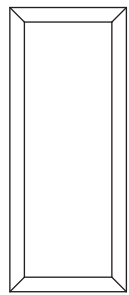
Turn off electricity at circuit breaker or main fuse box before installation. Consult a licensed electrician if in doubt.

These instructions are provided for your safety. It is very important you read them completely before installing the fixture. We strongly recommend that a licensed, professional electrician perform the installation.

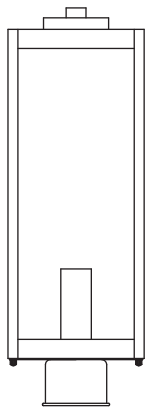
Disconnect fixture from power source before replacing bulbs. Make sure bulbs are given sufficient time to cool before removal.

Package Contents

A Mounting Screw
x 3



B Glass Panel
x 4



C Fixture Body
x 1

STEP 1 – Remove Cage from Socket Assembly

A. Unlock lock screws on the bottom of the socket assembly and remove the cage from the socket assembly.

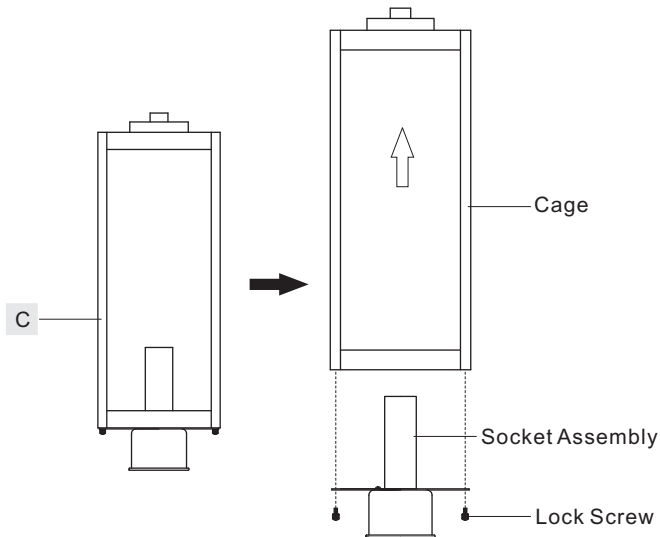


Figure 1

STEP 2 – Install Glass Panels

A. Insert the Glass Panel (B) into the cage with beveled edge is outside. Attach the top edge of the Glass Panel (B) to the slot in the top of the cage. Fold tabs in the bottom edge of the cage to secure Glass Panels (B).

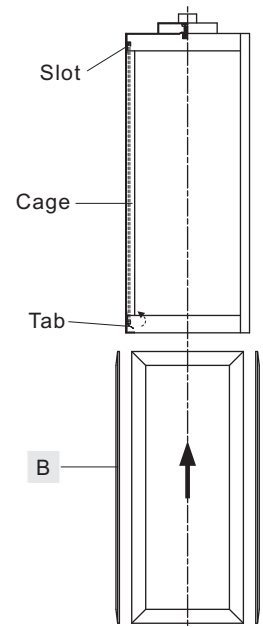


Figure 2

STEP 3 – Install the Bulb and Cage

A. Insert the bulb onto the socket and screw snugly into place.
 B. Place the cage back onto the socket assembly and secure with previously removed lock screws. Hand tighten until snug.

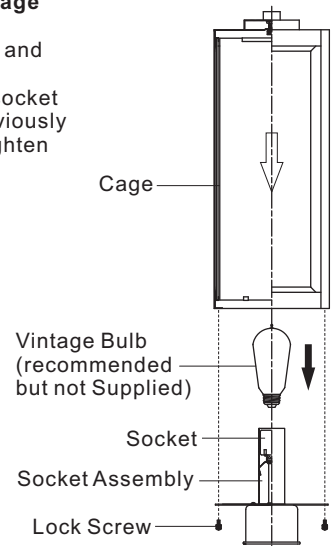


Figure 3

Thank you for purchasing a Quoizel product.
Need assistance with parts or assembly? Call Quoizel customer service at 1-800-645-3184
or visit us on-line at www.quoizel.com

STEP 4 - Mark the Location for the 3 Mounting Holes

A. Place the light fixture onto the post and mark the location of the 3 mounting holes on the fixture fitter onto the post with the marking pen.

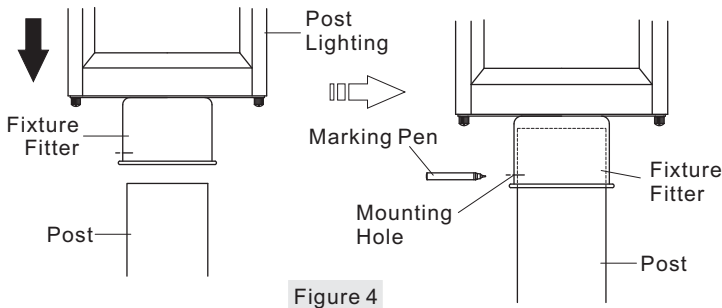


Figure 4

STEP 8 - Attach the fixture to the Post Mount

A. Place the fixture on the post lining up the mounting holes on the fixture fitter with the holes on the post. Use the Mounting Screws (A) to attach the fixture to the post.

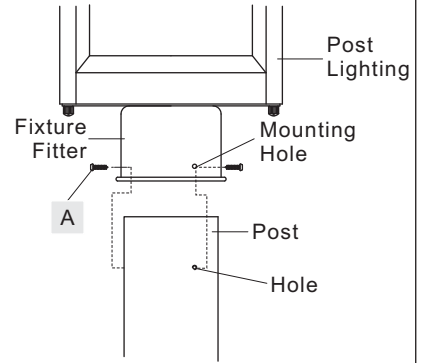
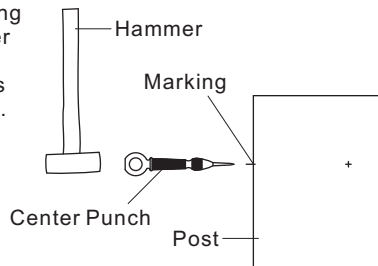


Figure 8

STEP 5 - Marking the Center of Each Mounting Hole

Figure 5

A. Remove the light fixture. Using the center punch and hammer marking the center of each mounting hole location that is marked with the marking pen.



STEP 6 - Drill Holes

A. Using the 1/16" bit and drill, drill a pilot hole completely through the post at each (3) locations marked in step 5 above.

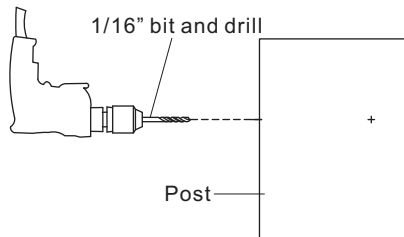


Figure 6

STEP 7 - Wire Connections

A. Use standard wire connectors (not included) to make all wire connections. Twist connectors until wires are tightly joined together. Wrap each connection with approved electrical tape and carefully stuff all the connected wires into the Outlet Box.

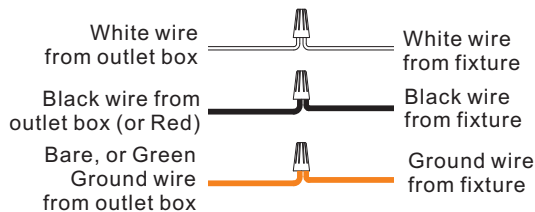


Figure 7

WVR9007EK	
FINISH: EARTH BLACK	

20.5"

NOTE: ALL DIMENSIONS ARE ROUNDED UP TO THE NEAREST 1/4"

Thank you for purchasing a Quoizel product.
 Need assistance with parts or assembly? Call Quoizel customer service at 1-800-645-3184
 or visit us on-line at www.quoizel.com