

Please go to www.quoizel.com for product cleaning tips. Go to the **Care + Maintenance** selection.

Tools Required: Flathead screwdriver, Phillips screwdriver, pliers, wire cutters, wire strippers, electrical tape, safety glasses.

Light Source: (3) B10 Candelabra Base bulbs 60W Maximum, bulb not included.

Fixture Hanging Height: Minimum Hanging Height is 14", Maximum Hanging Height is 56".

Estimated Assembly Time: 30-45 minutes

Preparation: Identify and inspect all parts before beginning installation. Check package content list and diagrams below to ensure all parts are present. If any parts are missing or damaged, do not attempt to assemble, install, or operate the fixture. Missing Parts? Contact your original place of purchase.

Note: This CONVERTIBLE fixture can be mounted as pendant light or semi-flush light. Refer to respective installation steps for installations.

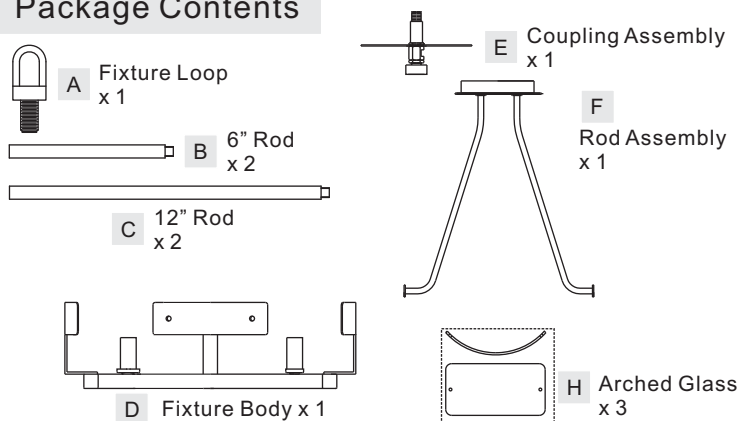
⚠ Warnings and Cautions

Turn off electricity at circuit breaker or main fuse box before installation. Consult a licensed electrician if in doubt.

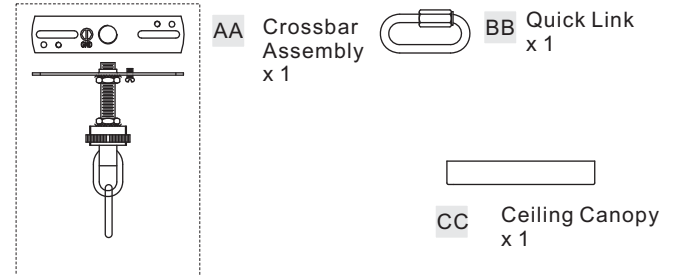
These instructions are provided for your safety. It is very important you read them completely before installing the fixture. We strongly recommend that a licensed, professional electrician perform the installation.

Disconnect fixture from power source before replacing bulbs. Make sure bulbs are given sufficient time to cool before removal.

Package Contents



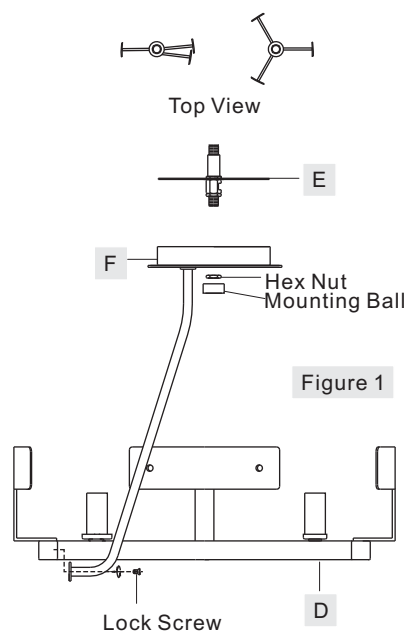
Hardware Contents



Assembly Instructions for Pendant Light (Step 1A - Step 6A)

STEP 1A - Install Cap and Rod Assembly to Fixture Body

- Unfold support arms on Rod Assembly (F) to proper locations.
- Remove the Lock Screw from the Fixture Body (D). Attach the Tabs at the ends of the Rod Assembly (F) onto the Fixture Body (D). Secure it with Lock Screw, tighten until snug.
- Remove the Mounting Ball and the Hex Nut from the Coupling Assembly (E). Fit the Coupling Assembly (E) to the Rod Assembly (F) and secure with Hex Nut.
- Thread the Mounting Ball onto the Nipple on Coupling Assembly (E).



STEP 2A - Install Fixture Loop and Rods to Fixture Body

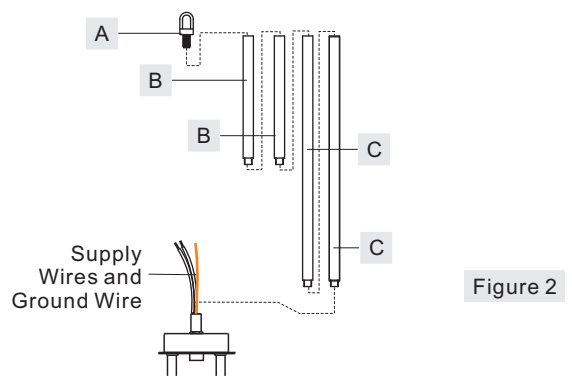
- Determine the Rods (B/C) to be assembled to the Fixture Body according to your hanging height.
- Pass the supply wires and ground wire through the chosen rods (B/C) and the Fixture Loop (A). Thread the Fixture Body, the chosen Rods (B/C) and the Fixture Loop (A) together. Hand tighten until snug.

Suggested rods for Ceiling height :

8' ceiling : use (1) 12" rod

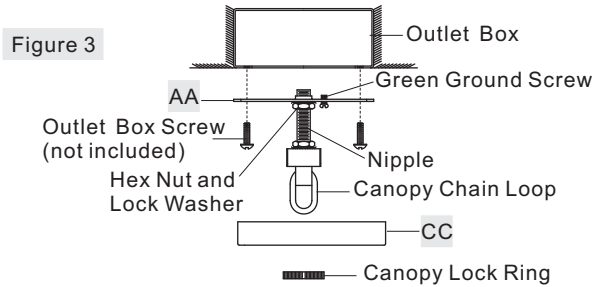
9' ceiling : use (2) 6" rods and (1) 12" rods

10' ceiling : use (2) 6" rods and (2) 12" rods



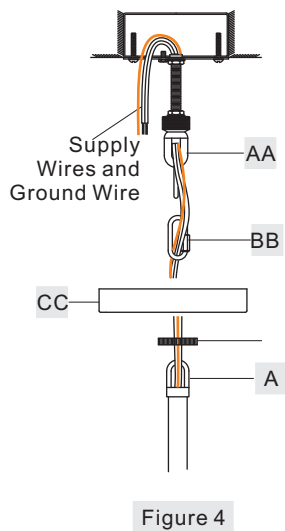
STEP 3A – Install the Crossbar Assembly to Outlet Box and Adjust the length of the Nipple

- Attach the Crossbar Assembly (AA) to the Outlet Box with the head of the Green Ground Screw facing you. Secure it with Outlet Box Screws (not included), tighten until snug.
- Adjust the hex nut and lock washer underside of the crossbar to the middle of the nipple.
- Remove the canopy lock ring from the canopy chain loop. Place the Ceiling Canopy (CC) over the canopy chain loop against the ceiling to determine the correct position of the nipple. Thread the canopy lock ring onto the canopy chain loop. Adjust the nipple to allow the Ceiling Canopy (CC) to rest against the ceiling when held in place by the canopy lock ring.
- Remove the canopy lock ring and the Ceiling Canopy (CC). Tighten the lock washer and the hex nut against the crossbar to secure in place.



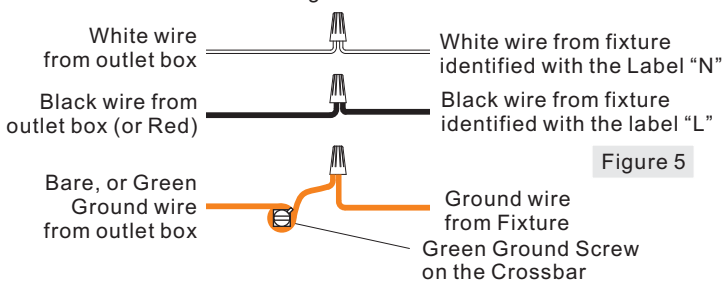
STEP 4A - Install the Fixture Chain and Ceiling Canopy

- Pull the supply wires and ground wire through the Canopy Lock Ring and the Ceiling Canopy (CC) in order.
- Connect the Fixture Loop (A) to the Canopy Chain Loop by using the Quick Link. The fixture will now hang safely.
- Feed the Supply Wires and Ground Wire through the Canopy Chain Loop and Nipple into the Outlet Box. Cut the wires leaving approximately 8" of wire extending from the Outlet Box.
- Go to Step 4 for wire connections and follow the directions. Return to Step E in this step when complete with Step 4.
- Raise the Ceiling Canopy (CC) and Canopy Lock Ring up the Quick Link and over the Canopy Chain Loop. Tighten the Canopy Lock Ring onto the Canopy Chain Loop until tight.



STEP 5A - Making the Wire Connections

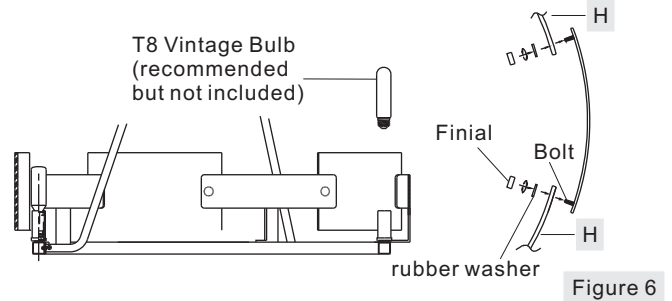
- Wrap bare or green ground wire around green ground screw on the crossbar, no less than 2 inches from the end of the wire. Tighten the green ground screw.
 - Use standard wire connectors (not included) to make all wire connections. Twist connectors until wires are tightly joined together. Wrap each connection with approved electrical tape and carefully stuff all the connected wires into outlet box.
- Note: If the electrical wire is going to be cut shorter than provided you will need to identify the "L" line wire and the "N" neutral wire before you cut the excess wire off. One is labeled N and the other labeled L. To do this separate the "L" line wire and the "N" neutral wire as far as you need to. Re-label the wire near where you want to make the cut. Be sure to mark the wire on the side of the fixture and not on the excess wire being cut and removed.



STEP 6A – Install the Glass and the Bulb

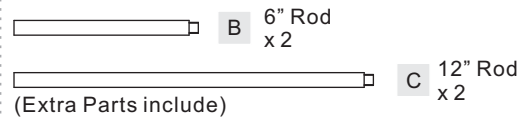
- Remove the Finial and the rubber washer from the Fixture Body (D). Fit the Glass (H) and the rubber washer to the Bolt of the Fixture Body (D) and secure with Finial.
- Insert the bulb onto the socket and screw snugly into place.

Your fixture is now assembled and ready to use. Enjoy!



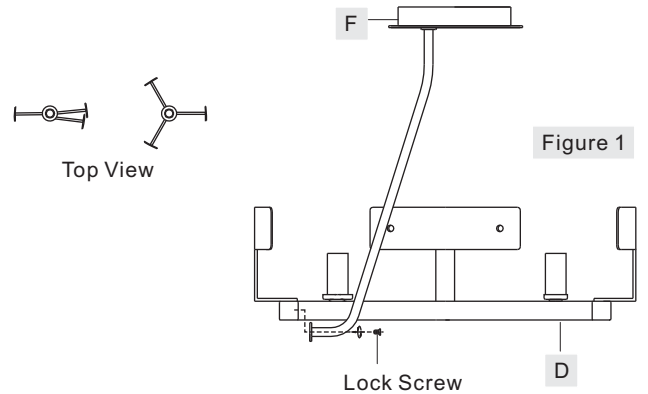
Assembly Instructions for Semi-flush Light (Step 1B - Step 6B)

Part B and Part C will not be used in the assembly of the Semi-Flush Light fixture. Please set aside these parts.



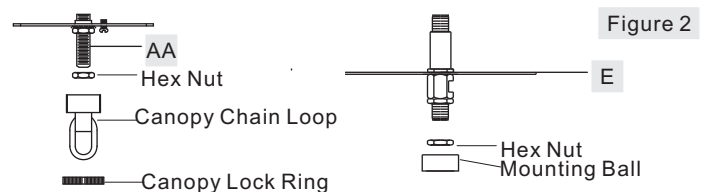
STEP 1B – Install Cap and Rod Assembly to Fixture Body

- Unfold support arms on Rod Assembly (F) to proper locations.
- Remove the Lock Screw from the Fixture Body (D). Attach the Tabs at the ends of the Rod Assembly (F) onto the Fixture Body (D), Secure it with Lock Screw, tighten until snug.



STEP 2B – Remove the Finial and the Crossbar Assembly

- Remove the Canopy Lock Ring, the Canopy Chain Loop and the Hex Nut from the Crossbar Assembly (AA).
- Remove the Mounting Ball and the Hex Nut from the Coupling Assembly (E).



STEP 3B – Install the Crossbar Assembly to Outlet Box and Adjust the length of the Nipple

- Attach the Crossbar Assembly (A) to the Outlet Box with the head of the Green Ground Screw facing you. Secure it with Outlet Box Screws (not included), tighten until snug.
- Adjust the hex nut and lock washer underside of the crossbar to the middle of the nipple. C. Place the Fixture Canopy over the Nipple against the ceiling to determine the correct position of the nipple. Thread the Mounting Ball onto the Nipple. Adjust the nipple to allow the Fixture Canopy to rest against the ceiling when held in place by the Mounting Ball.
- Remove the Mounting Ball and the Fixture Canopy. Tighten the lock washer and the hex nut against the crossbar to secure in place.

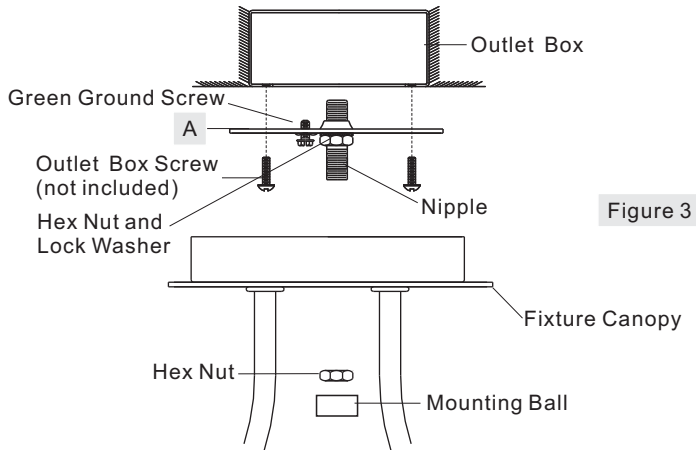


Figure 3

STEP 4B - Making the Wire Connections

- Wrap bare or green ground wire around green ground screw on the crossbar, no less than 2 inches from the end of the wire. Tighten the green ground screw.
 - Use standard wire connectors (not included) to make all wire connections. Twist connectors until wires are tightly joined together. Wrap each connection with approved electrical tape and carefully stuff all the connected wires into outlet box.
- Note: If the electrical wire is going to be cut shorter than provided you will need to identify the "L" line wire and the "N" neutral wire before you cut the excess wire off. One is labeled N and the other labeled L. To do this separate the "L" line wire and the "N" neutral wire as far as you need to. Re-label the wire near where you want to make the cut. Be sure to mark the wire on the side of the fixture and not on the excess wire being cut and removed.

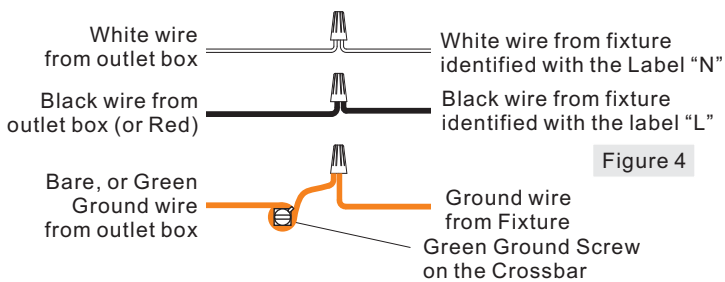


Figure 4

STEP 5B – Install Ceiling Canopy to Crossbar

- Attach the Ceiling Fixture Canopy over the end of the Nipple and secure with the Hex Nut. Hand tighten until snug.
- Thread the Mounting Ball onto the Nipple and hand tighten until snug.

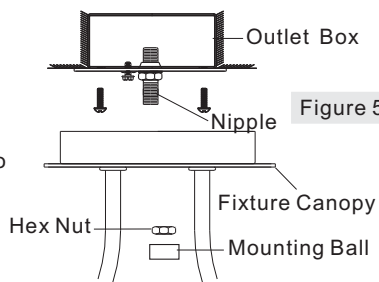


Figure 5

STEP 6B – Install the Glass and the Bulb

- Remove the Finial and the rubber washer from the Fixture Body (D). Fit the Glass (H) and the rubber washer to the Bolt of the Fixture Body (D) and secure with Finial.
- Insert the bulb onto the socket and screw snugly into place.

Your fixture is now assembled and ready to use. Enjoy!

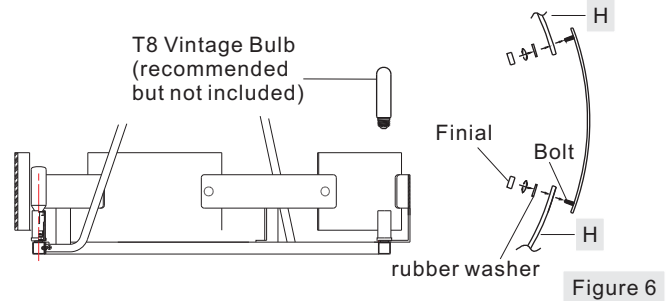
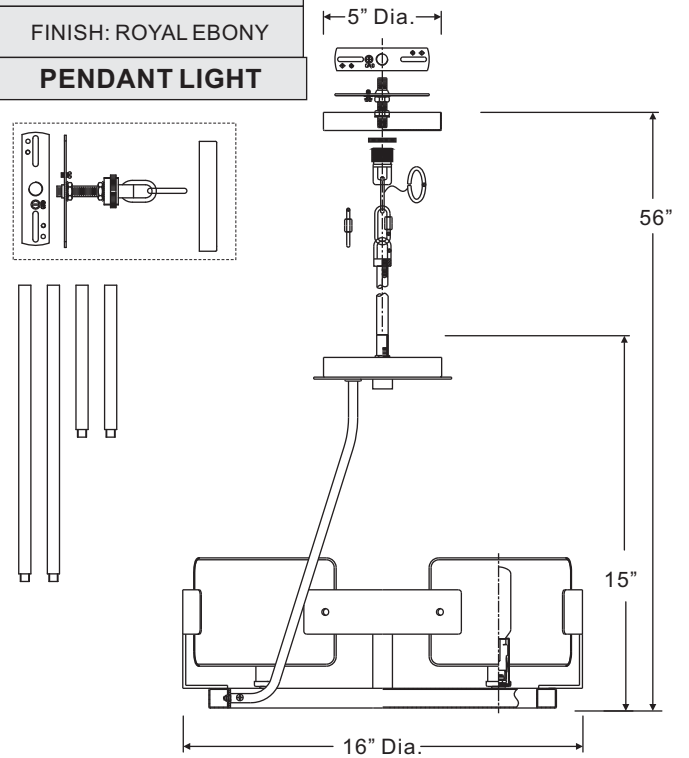


Figure 6

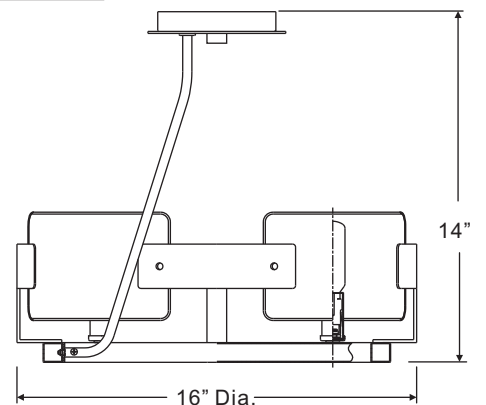
STM1716BA

FINISH: ROYAL EBONY

PENDANT LIGHT



SEMI-FLUSH



NOTE: ALL DIMENSIONS ARE ROUNDED UP TO THE NEAREST 1/4"