

**SAFETY INFORMATION**

Please read and understand this entire manual before attempting to assemble, install or operate the product.

**WARNING**

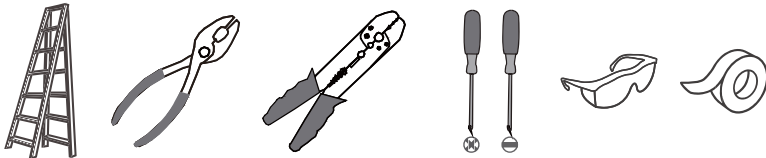
- RISK OF ELECTRIC SHOCK - Before beginning installation, turn off electricity at the circuit breaker box or the main fuse box.

**CAUTION**

- For your safety, read instructions completely before beginning installation.
- If in doubt about electrical installation, consult a licensed electrician.

**TOOLS REQUIRED**

Ratings	120Vac, 60Hz	
	Model No.	Wattage
	SPE8406CNC	17W

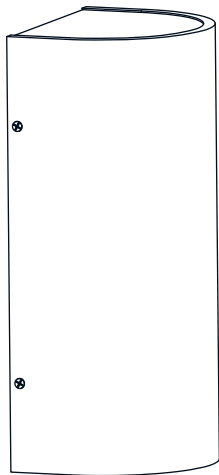


**CARE AND MAINTENANCE**

- Wipe clean using soft, dry cloth or static duster. Always avoid using harsh chemicals and abrasives to clean fixture as they may damage the finish.

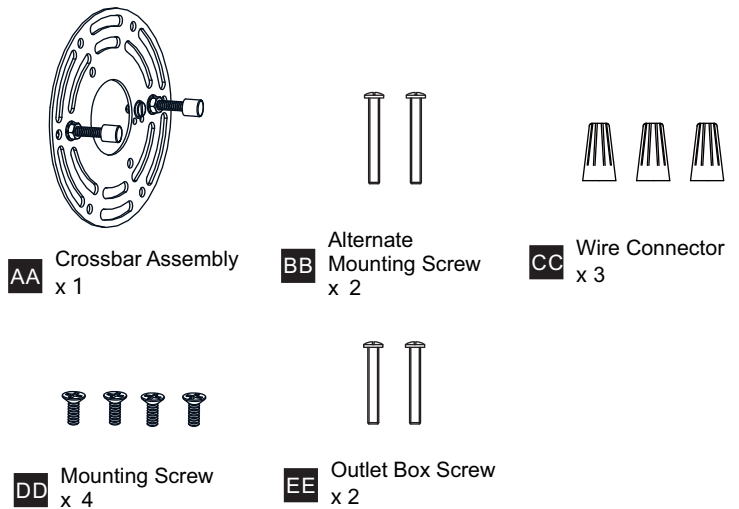
If you need further assistance call Quoizel Customer Care at 1-800-645-3184 (9:00am - 5:00pm EST), or visit us on-line at [www.quoizel.com](http://www.quoizel.com).

**PACKAGE CONTENTS**



**A** Fixture Body x 1

**MOUNTING HARDWARE**



**INSTALLATION**

**1 Remove Shade**

Shade

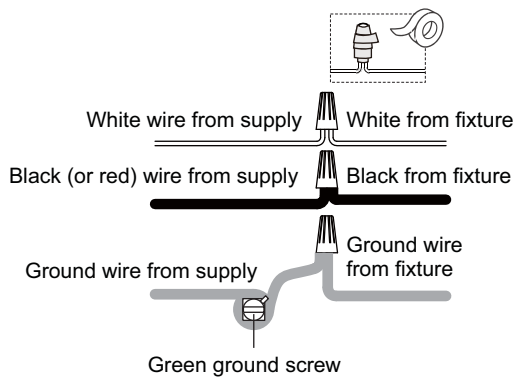
**2 Install Crossbar Assembly**

(2) Alternative Screws

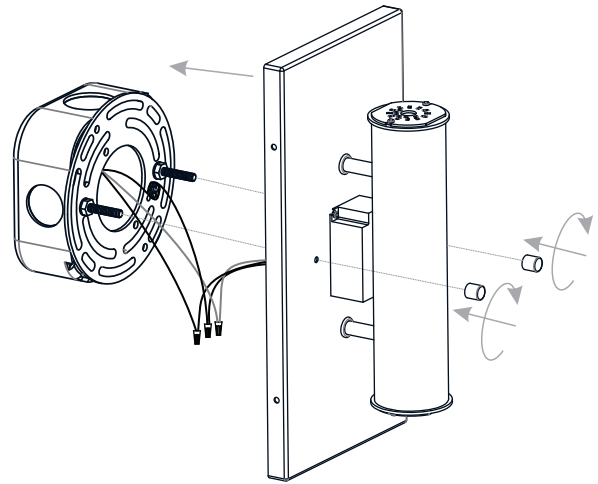
\* Alternative screws are provided to replace pre-assembled mounting screws if necessary.

# INSTALLATION

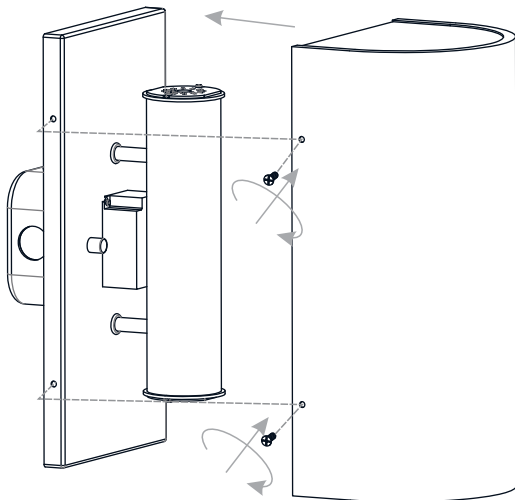
## 3 Wiring



## 4 Install Fixture Body

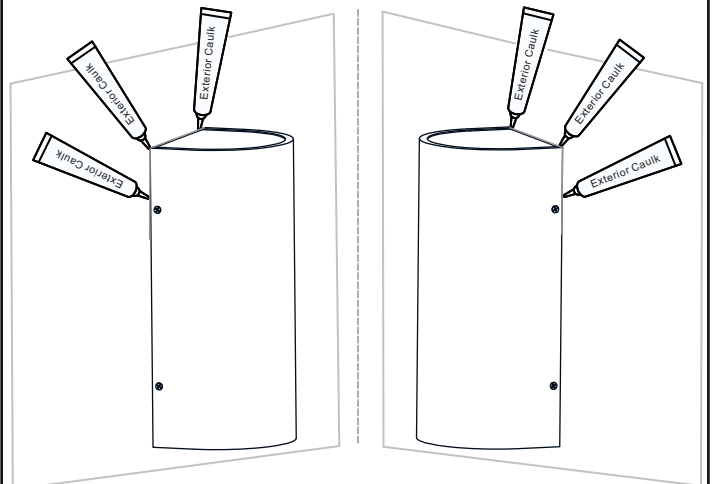


## 5 Install Shade



## 6 Apply Caulking

\* Note: Do NOT caulk the bottom of the backplate to allow moisture to escape.



Your installation is now complete! Restore electricity and save this sheet for future reference.