

SAFETY INFORMATION

Please read and understand this entire manual before attempting to assemble, install or operate the product.

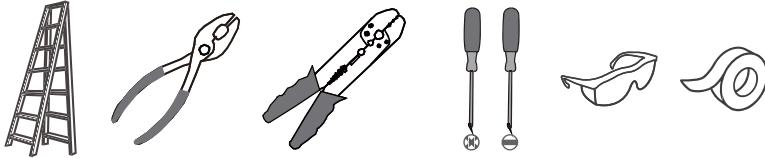
WARNING

- RISK OF ELECTRIC SHOCK - Before beginning installation, turn off electricity at the circuit breaker box or the main fuse box.

CAUTION

- For your safety, read instructions completely before beginning installation.
- If in doubt about electrical installation, consult a licensed electrician.

TOOLS REQUIRED



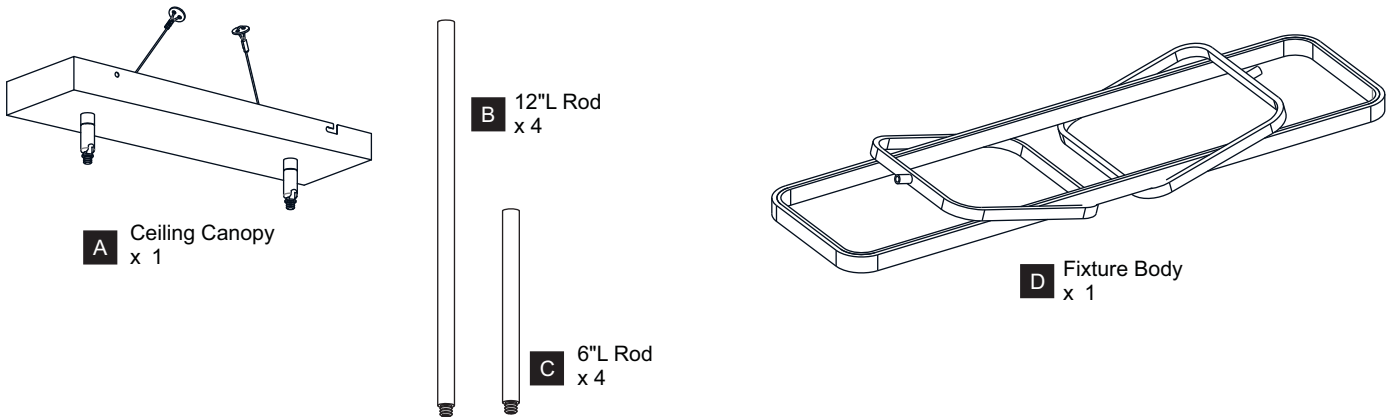
| | | |
|---------|--------------|---------|
| Ratings | 120Vac, 60Hz | |
| | Model No. | Wattage |
| | PCZIM142BN | 85W |

CARE AND MAINTENANCE

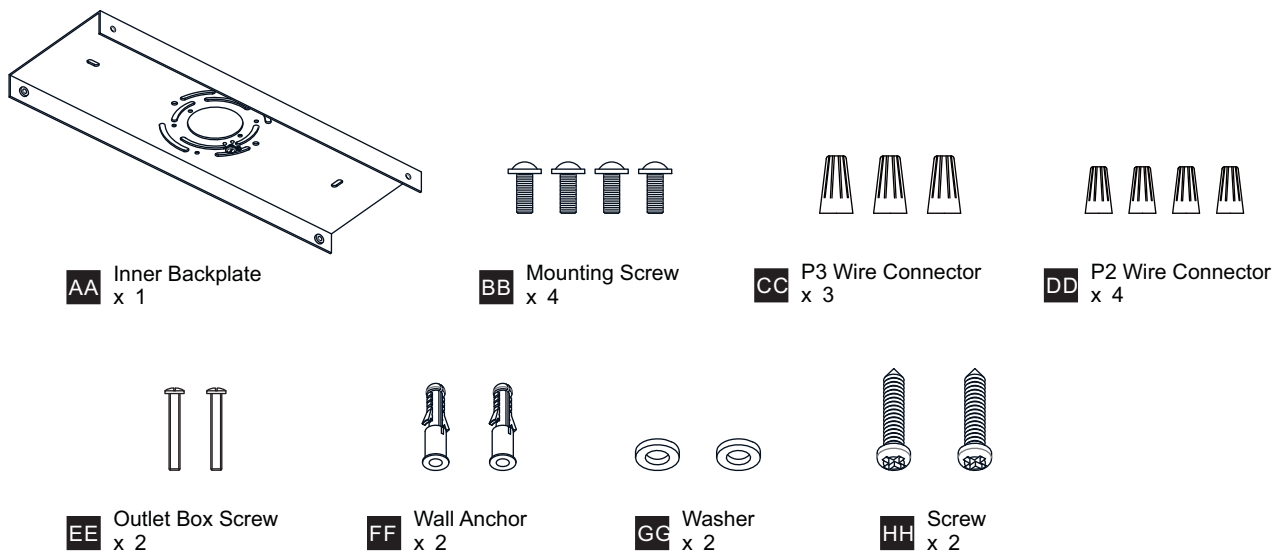
- Wipe clean using soft, dry cloth or static duster. Always avoid using harsh chemicals and abrasives to clean fixture as they may damage the finish.

If you need further assistance call Quozel Customer Care at 1-800-645-3184 (9:00am - 5:00pm EST), or visit us on-line at www.quezel.com.

PACKAGE CONTENTS

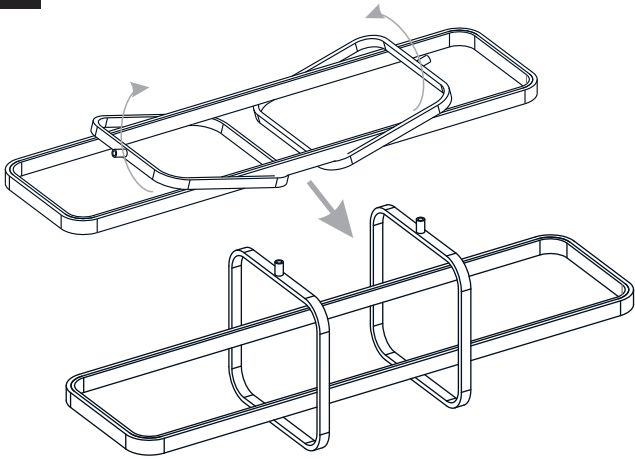


MOUNTING HARDWARE



INSTALLATION

1 Adjust Outer Rings



2 Install Rods

Optional Rods:

8 Feet Ceiling:

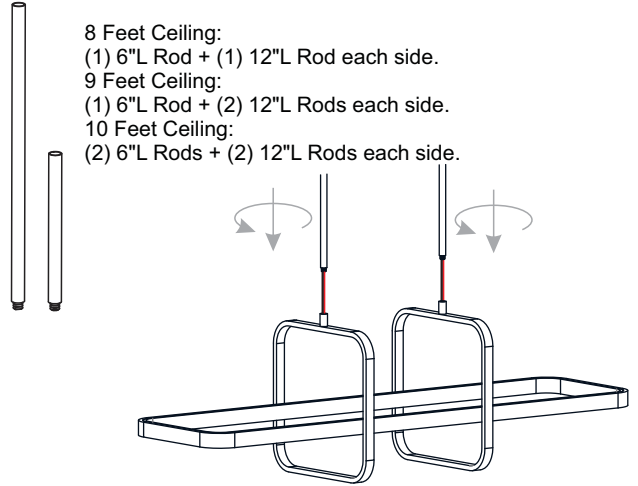
(1) 6"L Rod + (1) 12"L Rod each side.

9 Feet Ceiling:

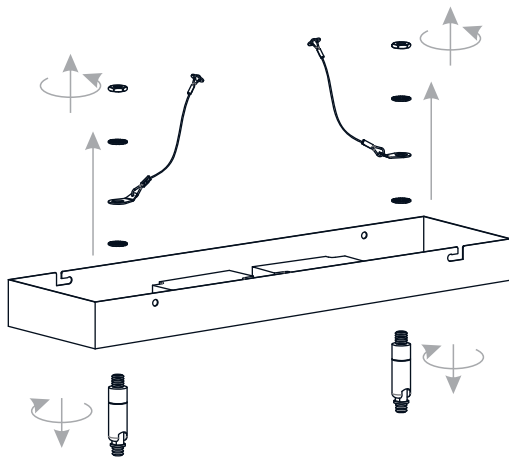
(1) 6"L Rod + (2) 12"L Rods each side.

10 Feet Ceiling:

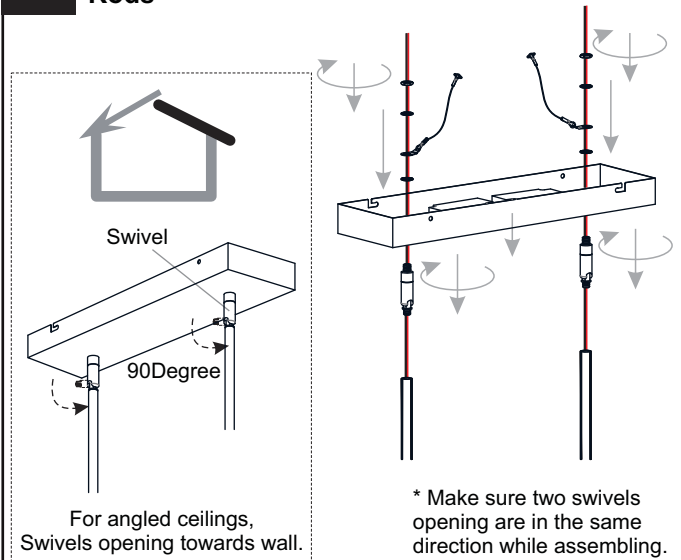
(2) 6"L Rods + (2) 12"L Rods each side.



3 Separate Swivels from Ceiling Canopy

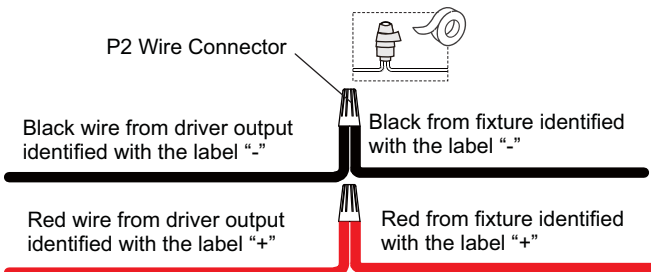


4 Install Swivels and Ceiling Canopy to Upper Rods

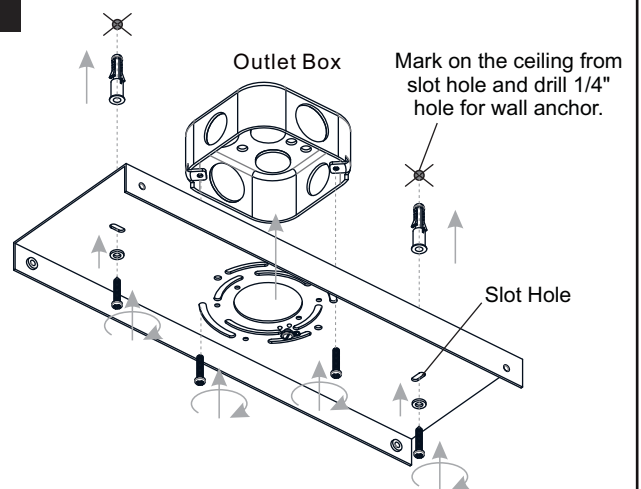


5 Wiring to Driver Output

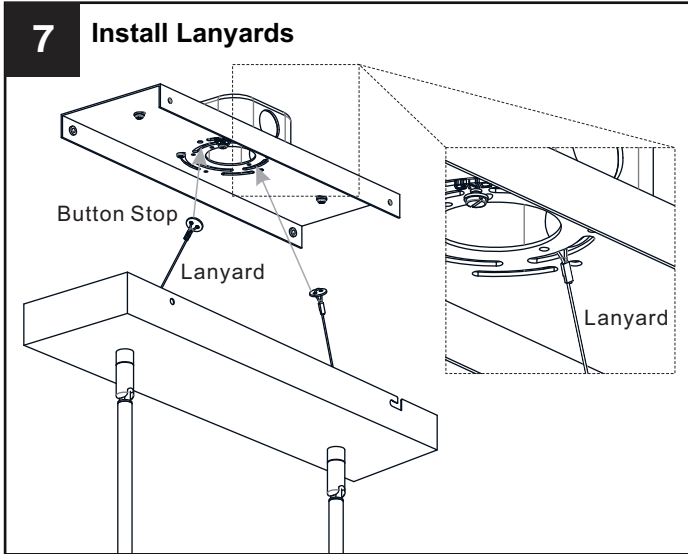
Connect LED "+" (1), LED "-" (1) from fixture to LED "+" (1), LED "-" (1) from one driver. Connect LED "+" (2), LED "-" (2) from fixture to LED "+" (2), LED "-" (2) from another driver.



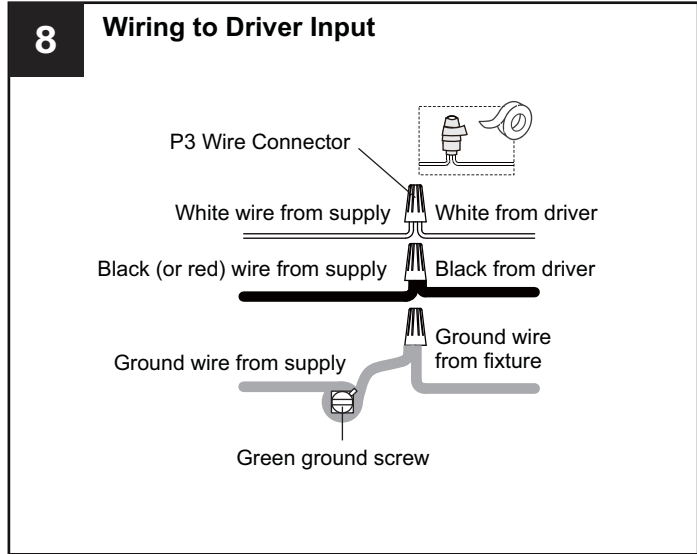
6 Install Inner Backplate



7 Install Lanyards

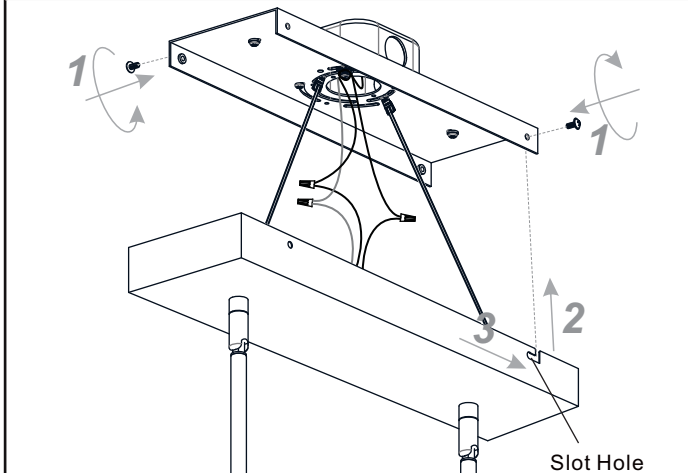


8 Wiring to Driver Input



9 Install (2) Mounting Screws

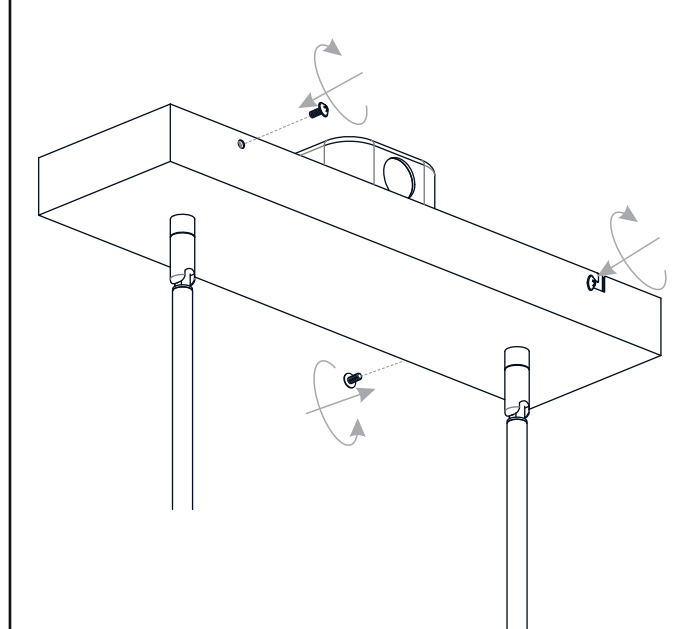
Step 1: Install (2) mounting screws to the inner backplate for slot holes on the ceiling canopy. **DO NOT** tighten mounting screws. Leave proper length for ceiling canopy installation.



Step 2 - 3: Hang ceiling canopy on (2) threaded mounting screws on the inner backplate.

10 Install Rest (2) Mounting Screws

Tighten all mounting screws after installation.



Your installation is now complete! Restore electricity and save this sheet for future reference.