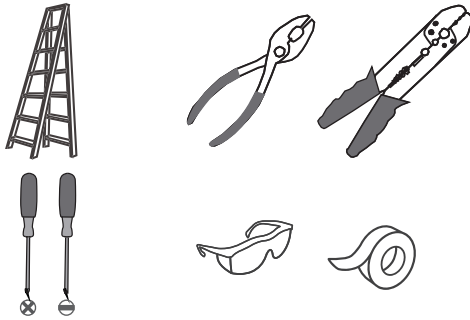


**Tools Required**



**Light Source**

45W  
**LED**

**Fixture Height Adjustable**  
16.75" to 100"

**⚠ Warnings and Cautions**

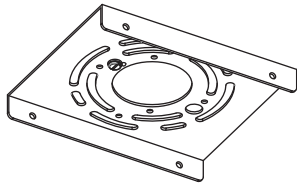
Turn off the electricity at the circuit breaker before installation. Consult a licensed electrician if in doubt about installation.

**Package Contents**

**Preparation:** Identify and inspect all parts before beginning the installation.

Missing or damaged parts? Contact your original place of purchase.

**PARTS BAG**



**A** Inner Backplate  
x 1



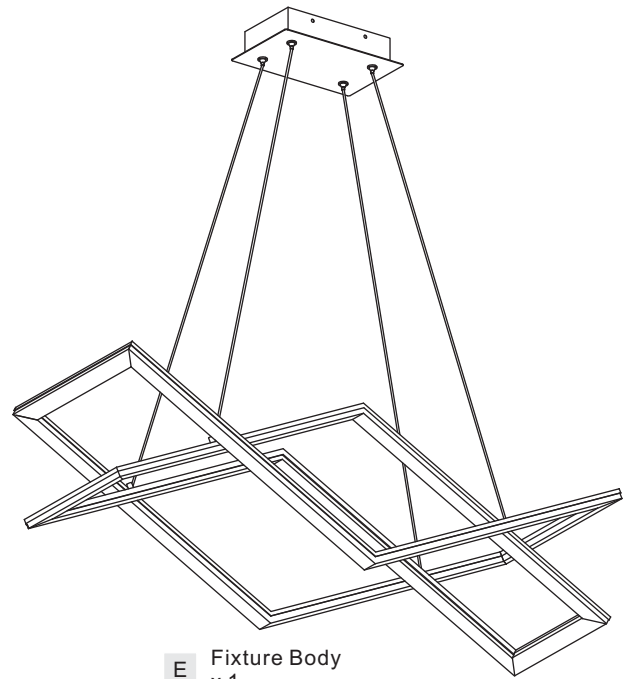
**B** Lock Screw  
x 4



**C** Outlet Box Screw  
x 2



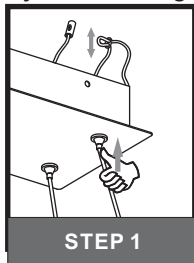
**D** Wire Connector  
x 3



**E** Fixture Body  
x 1

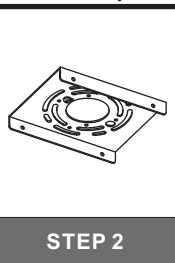
**Table of Contents**

**Adjust Cord Length**



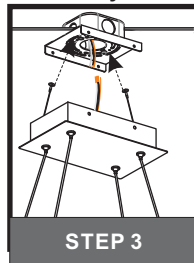
**STEP 1**

**Inner Backplate**



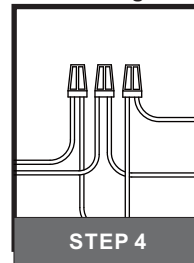
**STEP 2**

**Lanyard**



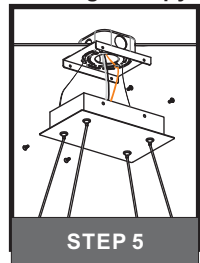
**STEP 3**

**Wiring**



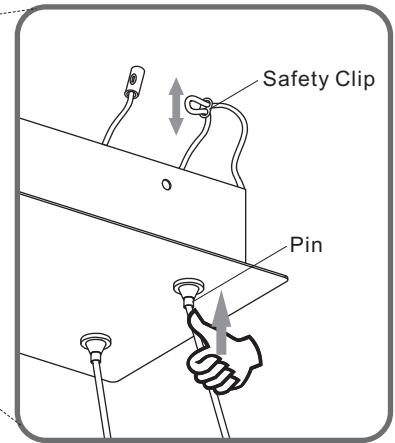
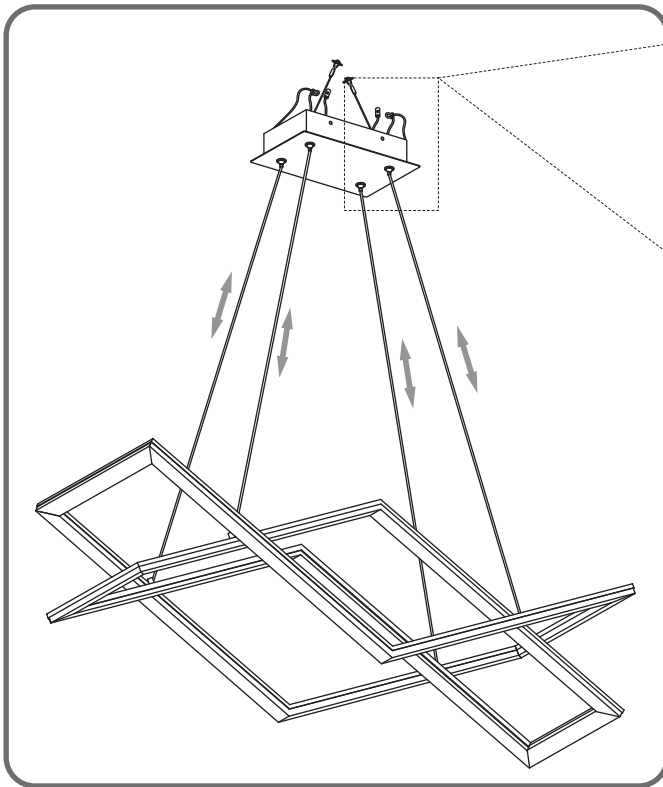
**STEP 4**

**Ceiling Canopy**

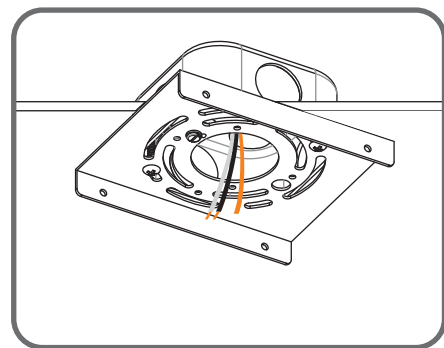
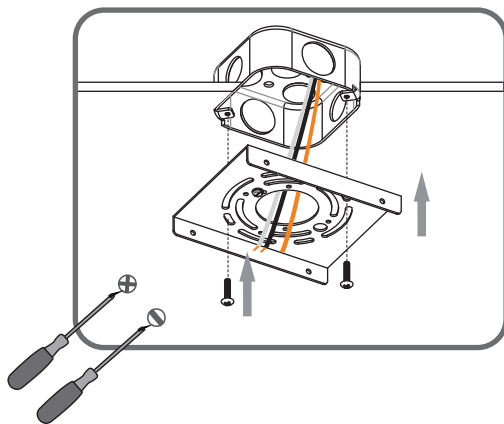


**STEP 5**

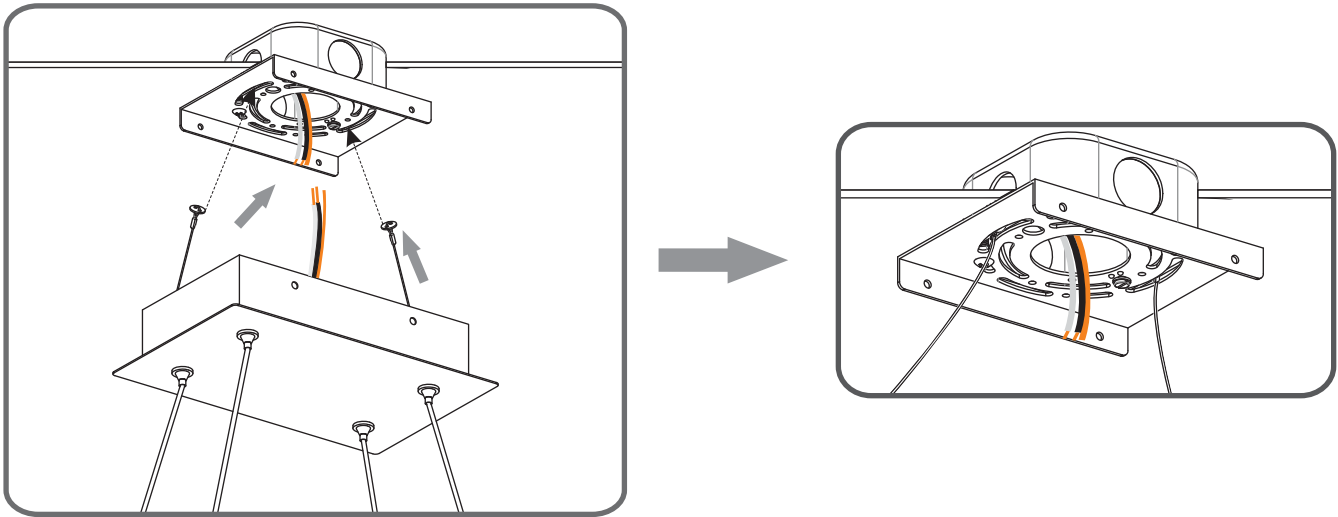
# STEP 1



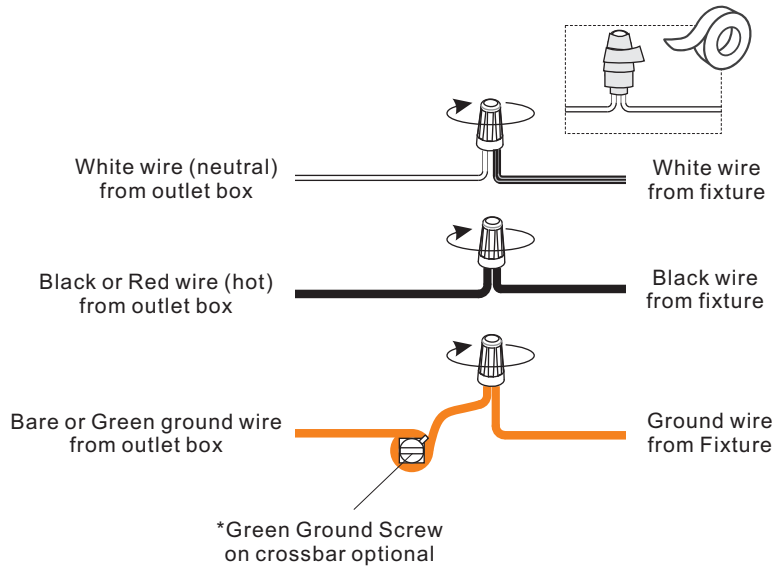
# STEP 2



### STEP 3



### STEP 4



### STEP 5

