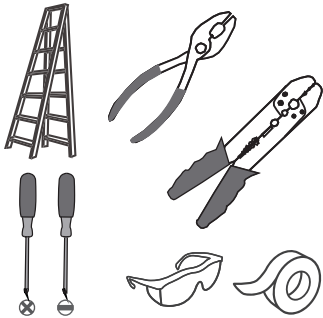
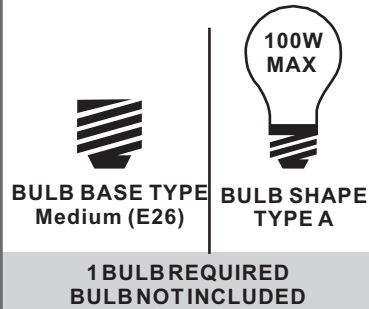


**Tools Required**



**Light Source**



**Warnings and Cautions**

Turn off the electricity at the circuit breaker before installation. Consult a licensed electrician if in doubt about installation.

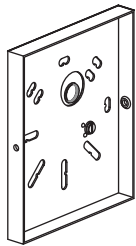
Turn off power to the fixture and allow the bulbs to cool before replacing.

**Package Contents**

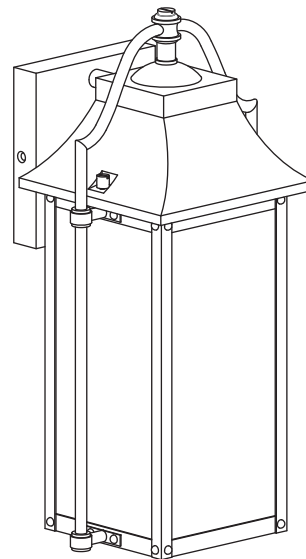
**Preparation:** Identify and inspect all parts before beginning the installation.

Missing or damaged parts? Contact your original place of purchase.

**PARTS BAG**



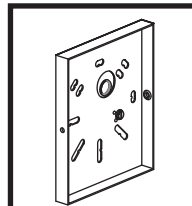
- A** Crossbar Assembly x 1
- B** Mounting Screw x 2
- C** Outlet Box Screw x 2
- D** Wire Connector x 3



**E** Fixture Body x 1

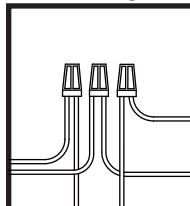
**Table of Contents**

**Crossbar Assembly**



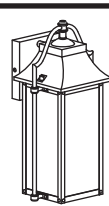
**STEP 1**

**Wiring**



**STEP 2**

**Fixture Body**



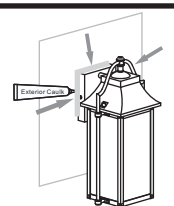
**STEP 3**

**Bulb**



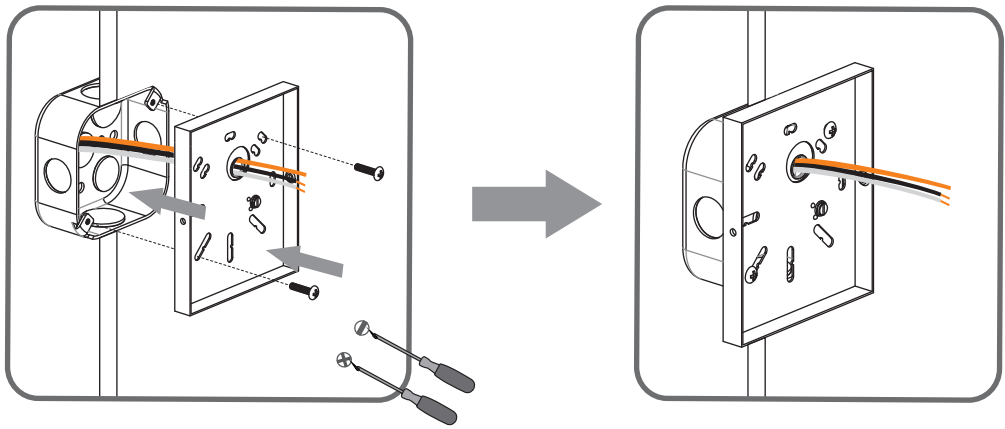
**STEP 4**

**Caulk**

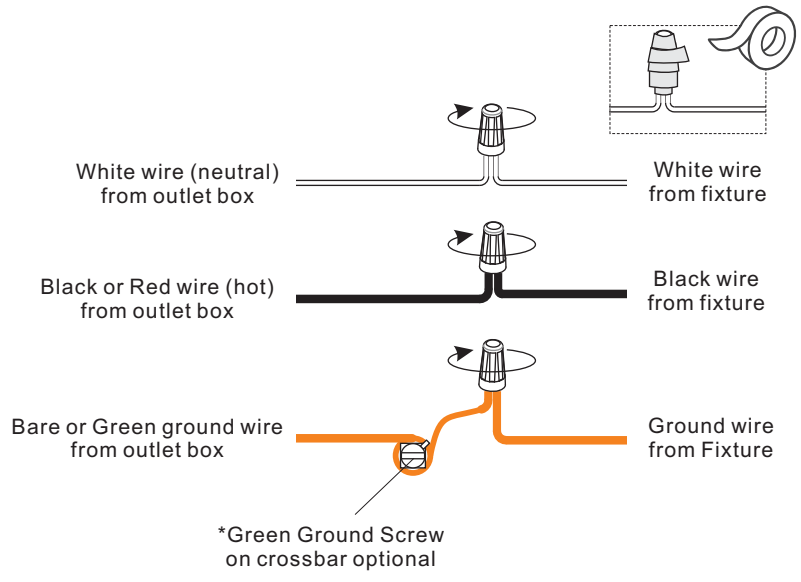


**STEP 5**

### STEP 1



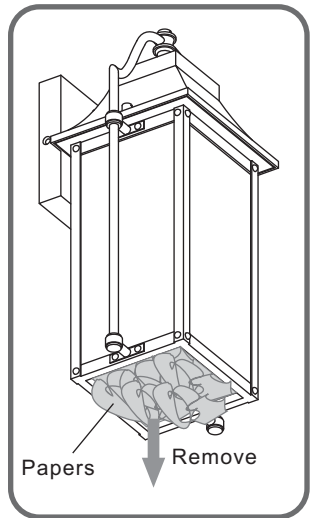
### STEP 2



### STEP 3

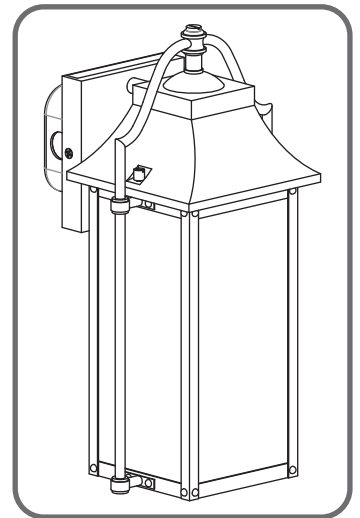
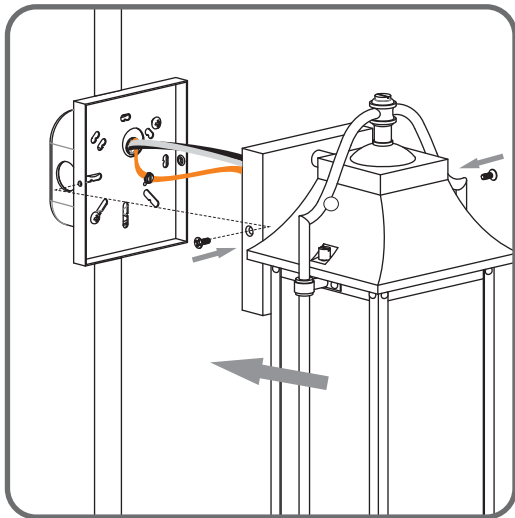
1

Remove papers inside of the cage

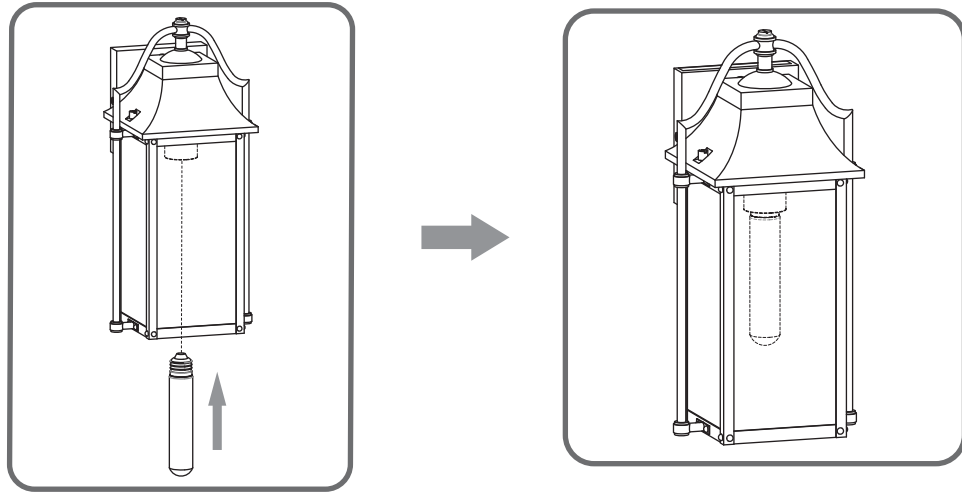


2

Install fixture body



**STEP 4**



**STEP 5**

