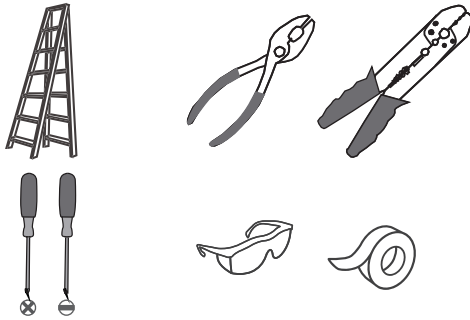
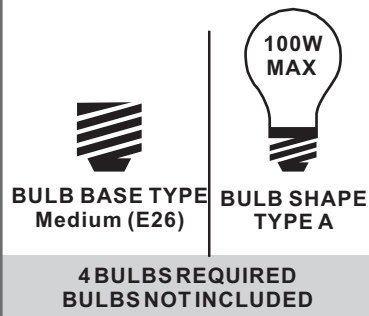


Tools Required



Light Source



Fixture Height Adjustable
17.25" to 53.25"

Warnings and Cautions

Turn off the electricity at the circuit breaker before installation. Consult a licensed electrician if in doubt about installation.

Turn off power to the fixture and allow the bulbs to cool before replacing.

Package Contents

Preparation: Identify and inspect all parts before beginning the installation.

Missing or damaged parts? Contact your original place of purchase.

PARTS BAG

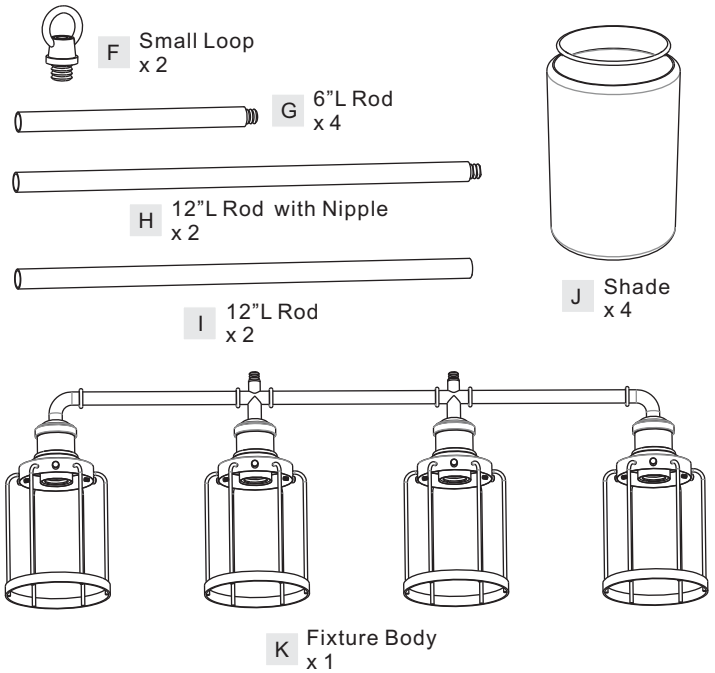
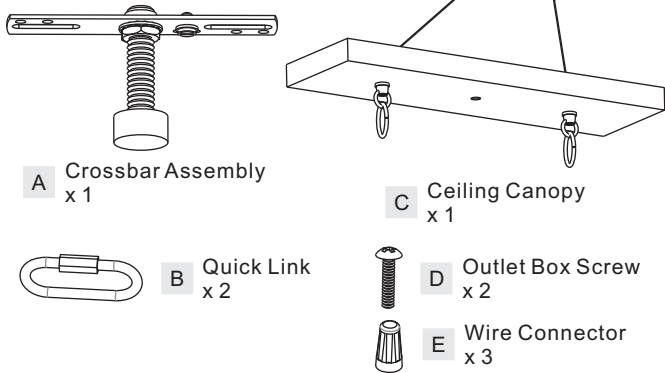


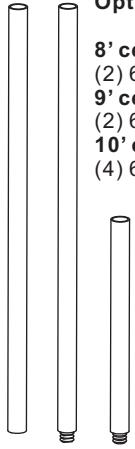
Table of Contents

Rods&Small Loop	Crossbar Assembly	Quick Link	Lanyard	Wiring	Ceiling Canopy	Bulb&Shade
STEP 1	STEP 2	STEP 3	STEP 4	STEP 5	STEP 6	STEP 7

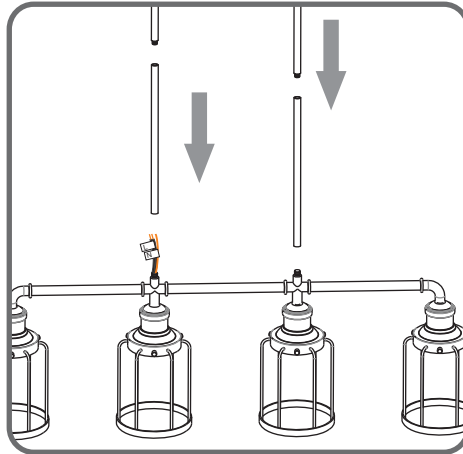
STEP 1

Optional Rods

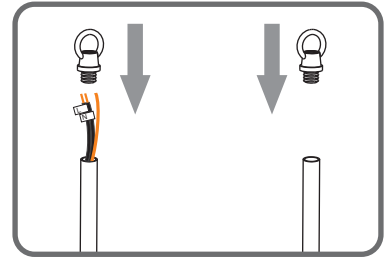
- 8' ceiling:
(2) 6"L + (2) 12"L rods
- 9' ceiling:
(2) 6"L + (4) 12"L rods
- 10' ceiling:
(4) 6"L + (4) 12"L rods



1



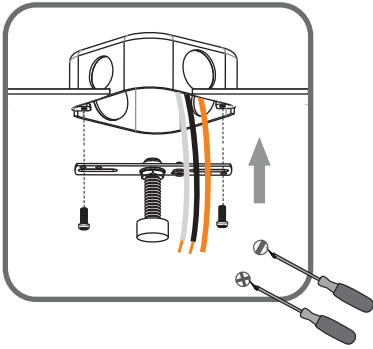
2



STEP 2

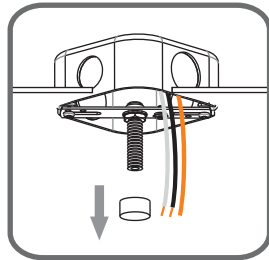
1

Step 1 Install crossbar assembly

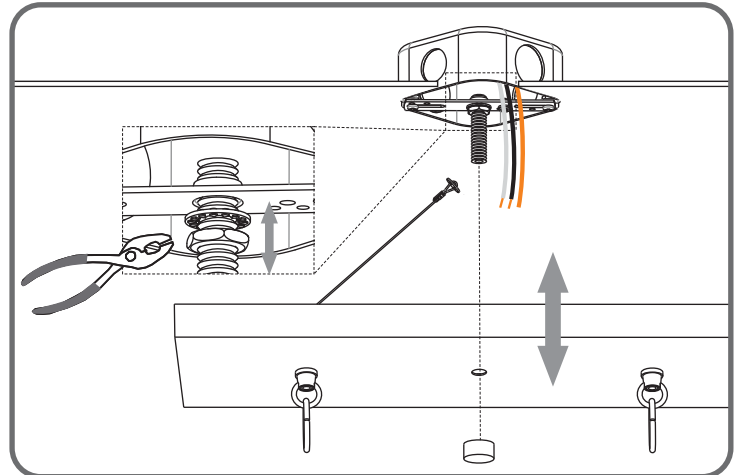


2

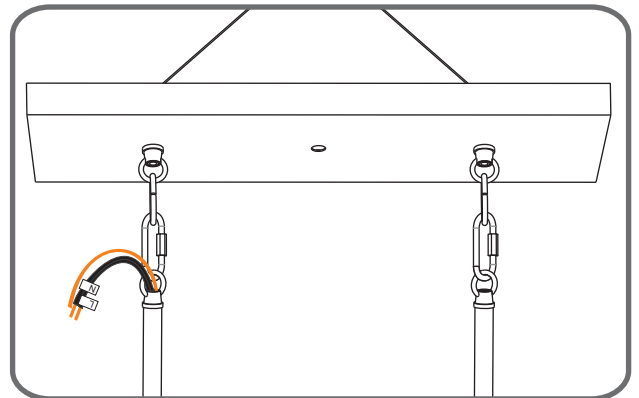
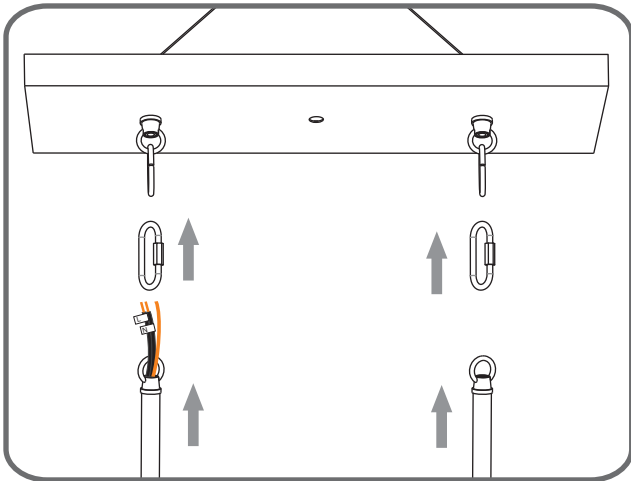
Step 2 - 3 Test fitting ceiling canopy to nipple



3



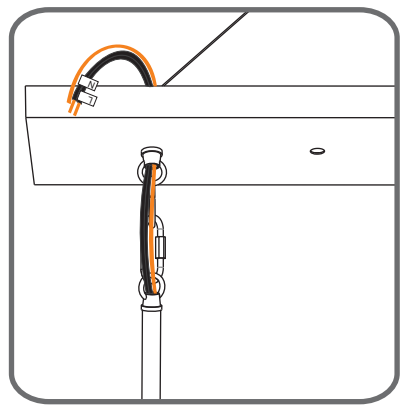
STEP 3



STEP 4

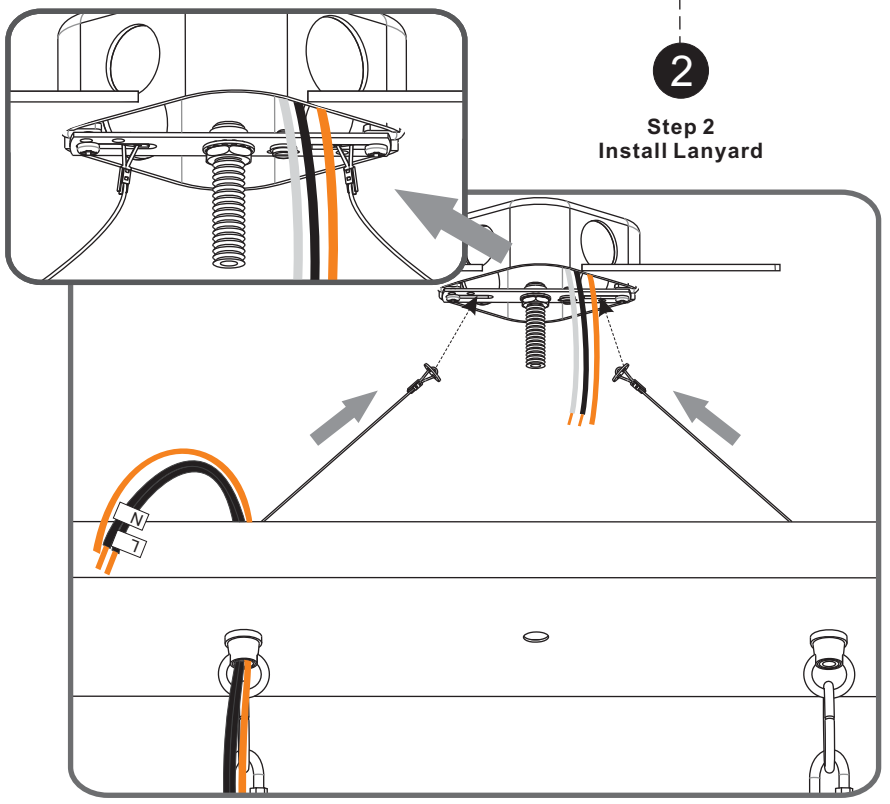
1

Step 1
Feed the fixture wires
through the ceiling canopy

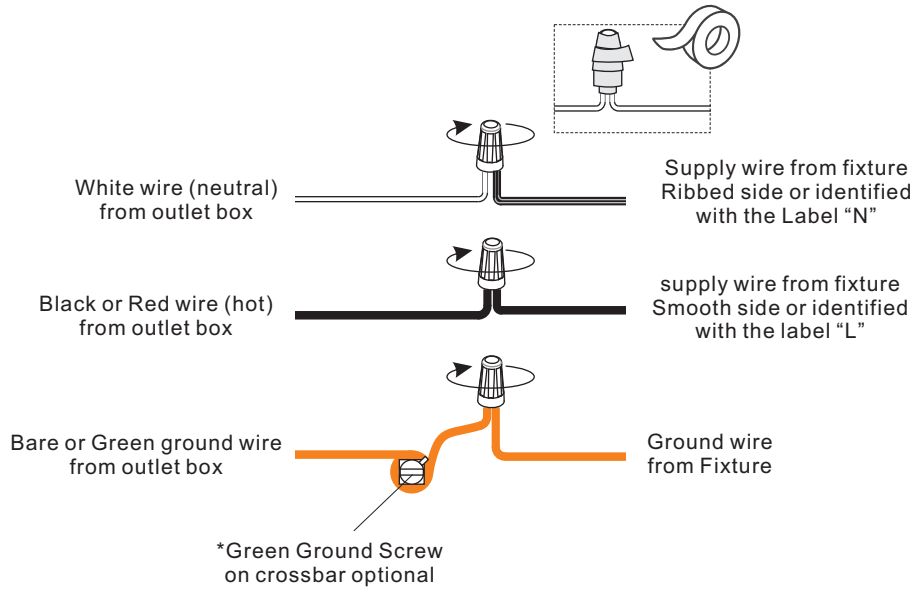


2

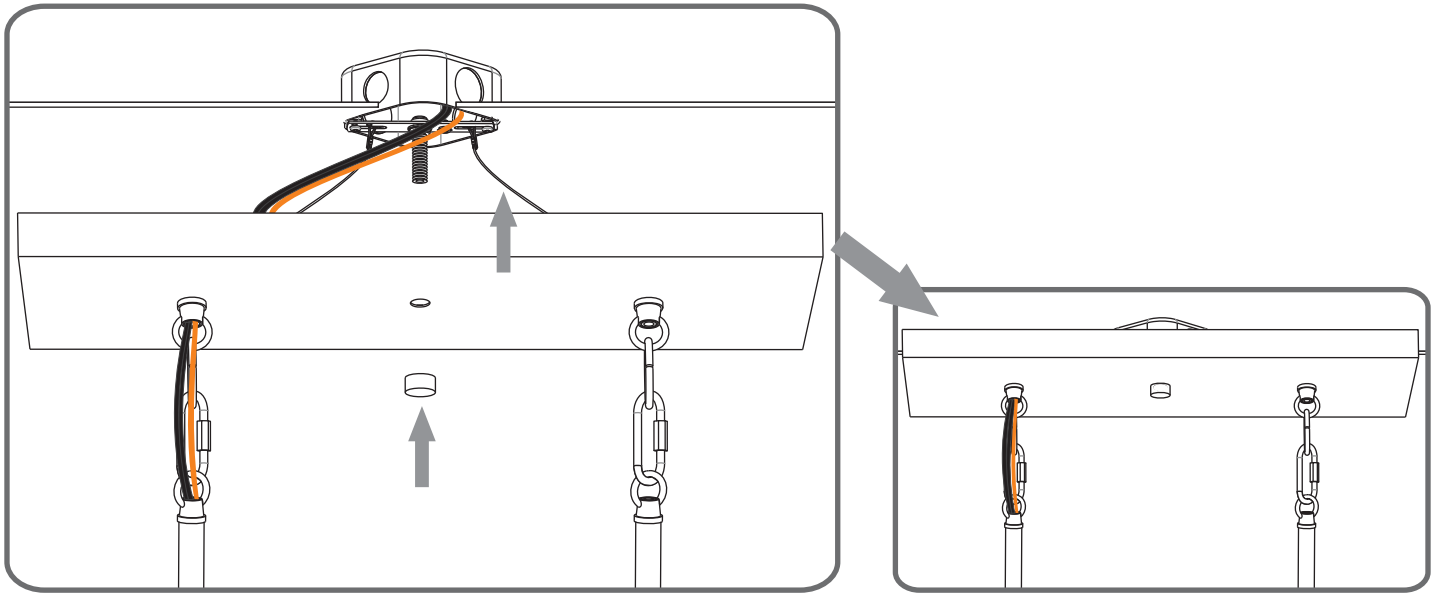
Step 2
Install Lanyard



STEP 5



STEP 6



STEP 7

