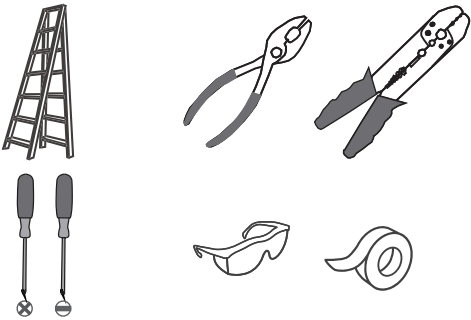
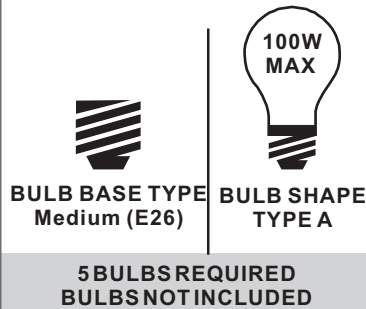


Tools Required



Light Source



**Fixture Height Adjustable
19.75" to 55.75"**

Warnings and Cautions

Turn off the electricity at the circuit breaker before installation. Consult a licensed electrician if in doubt about installation.

Turn off power to the fixture and allow the bulbs to cool before replacing.

Package Contents

Preparation: Identify and inspect all parts before beginning the installation.

Missing or damaged parts? Contact your original place of purchase.

PARTS BAG

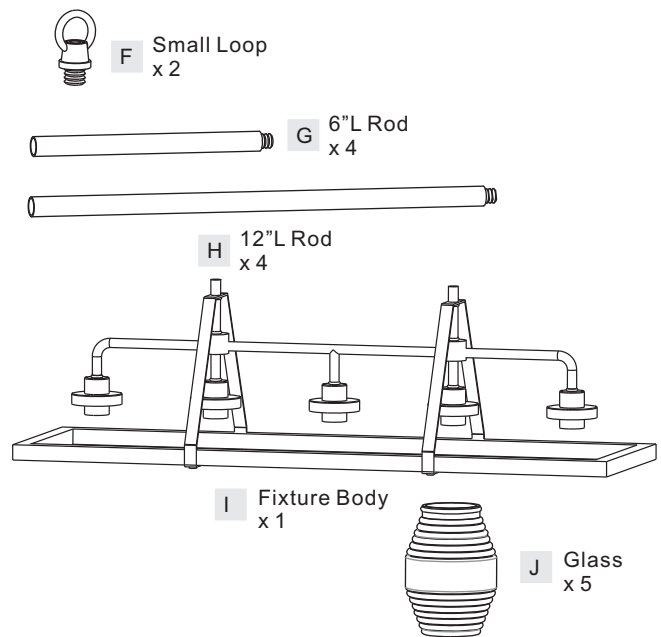
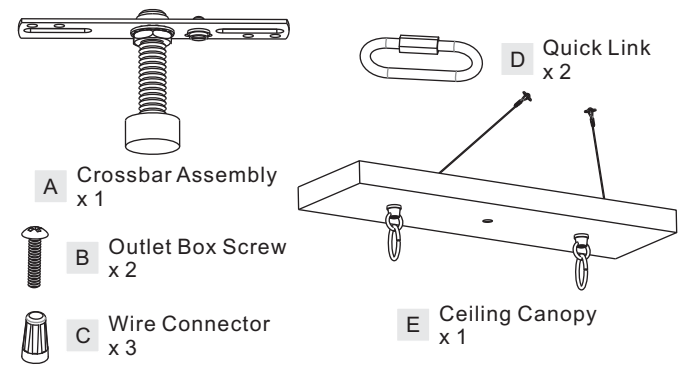


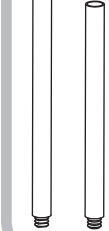
Table of Contents

Rods & Small Loop	Crossbar Assembly	Quick Link	Lanyard	Wiring	Ceiling Canopy	Bulb
STEP 1	STEP 2	STEP 3	STEP 4	STEP 5	STEP 6	STEP 7

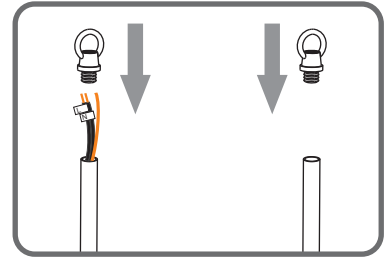
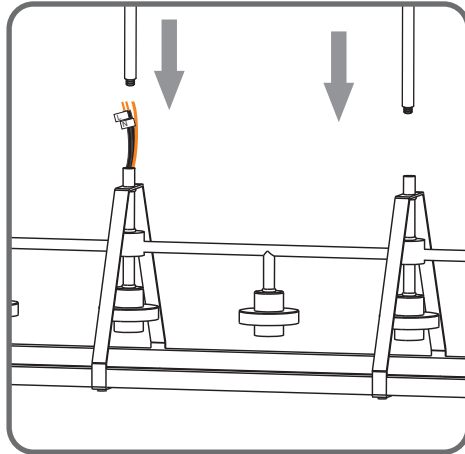
STEP 1

Optional Rods

- 8' ceiling:
(2) 6"L + (2) 12"L rods
- 9' ceiling:
(2) 6"L + (4) 12"L rods
- 10' ceiling:
(4) 6"L + (4) 12"L rods



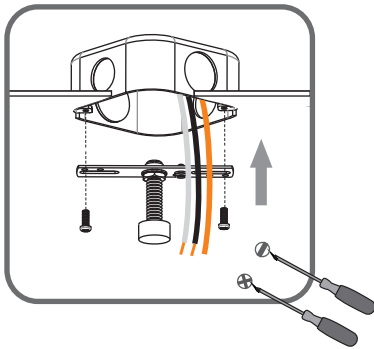
1 ----- 2



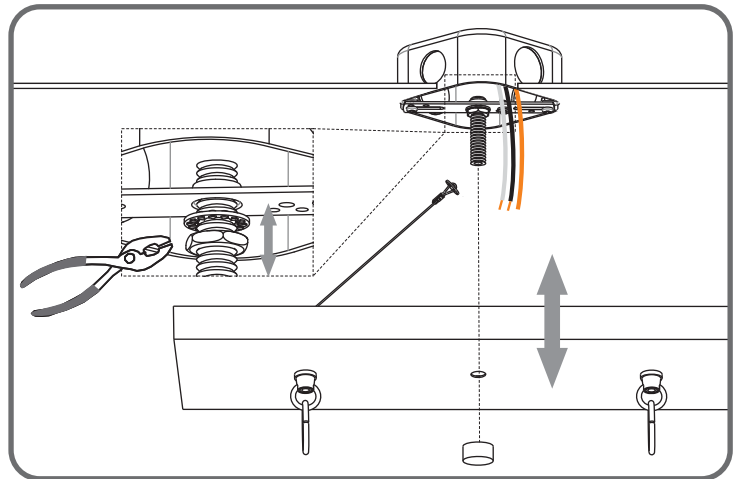
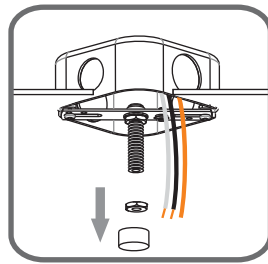
STEP 2

1 ----- 2 ----- 3

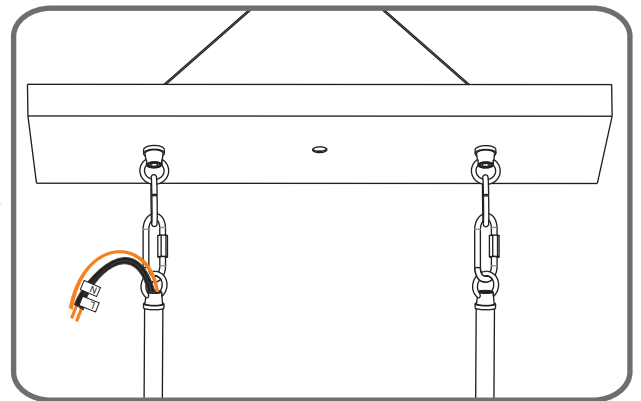
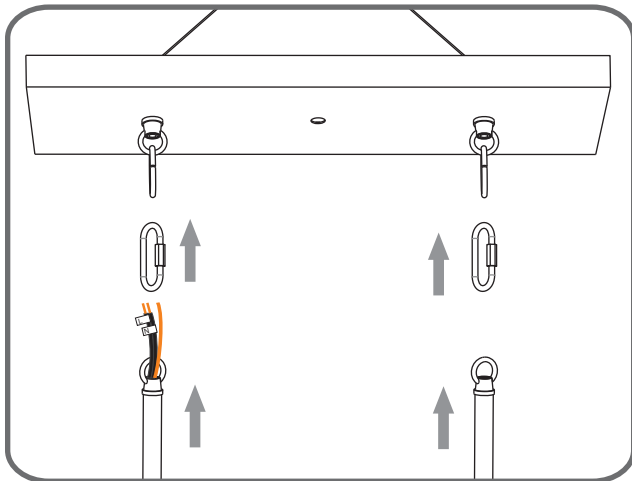
Step 1
Install crossbar assembly



Step 2 - 3
Test fitting ceiling canopy to nipple



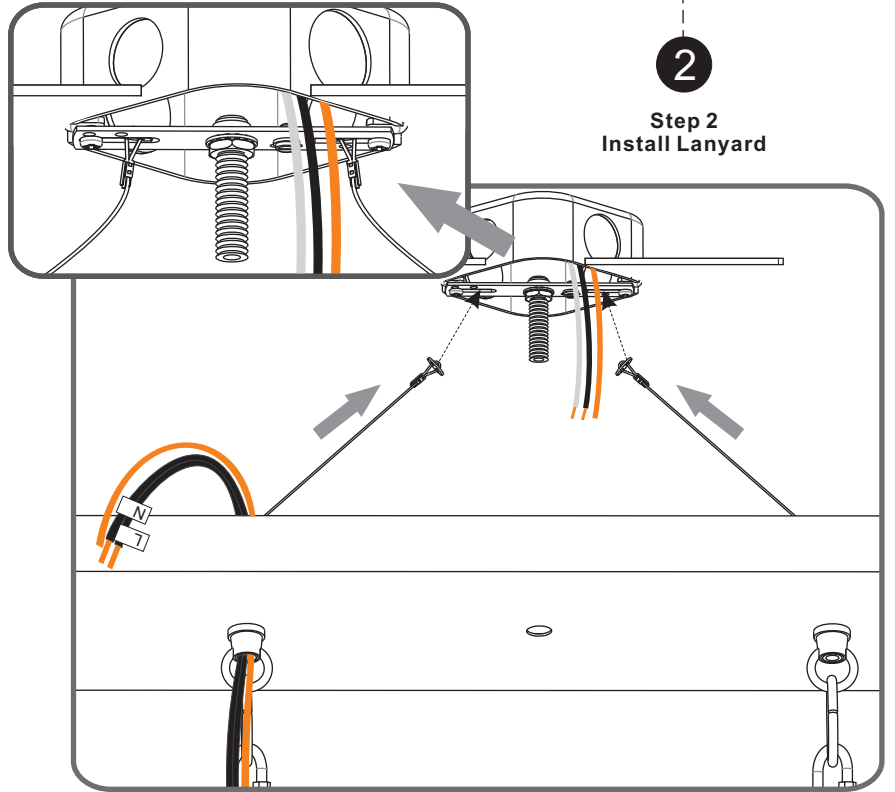
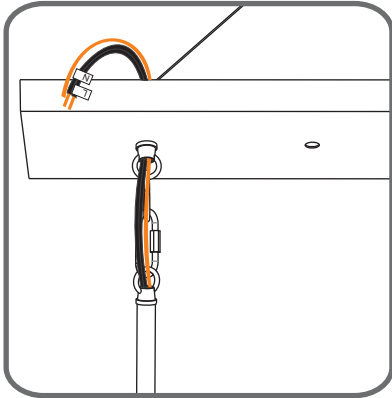
STEP 3



STEP 4

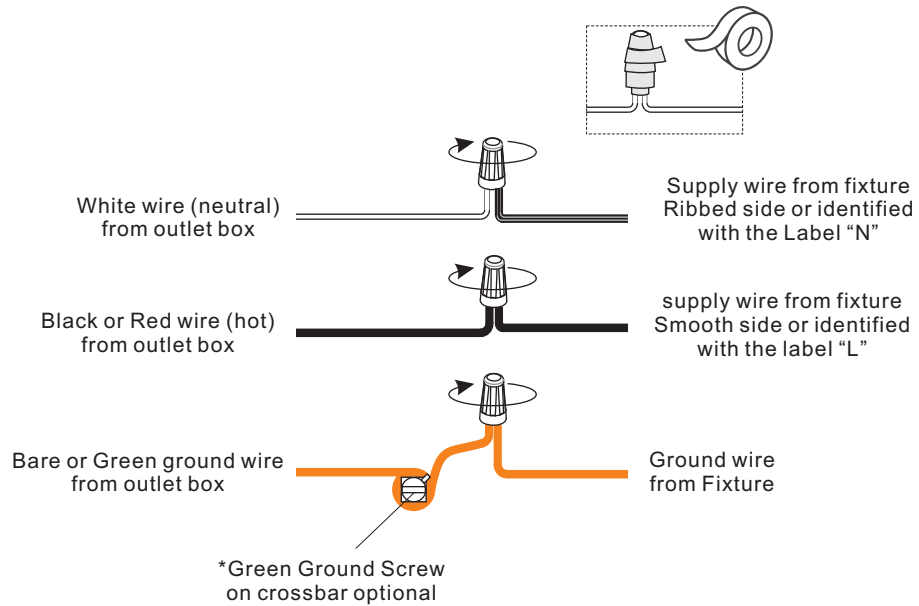
1

Step 1
Feed the fixture wires
through the ceiling canopy



2
Step 2
Install Lanyard

STEP 5



White wire (neutral)
from outlet box

Supply wire from fixture
Ribbed side or identified
with the Label "N"

Black or Red wire (hot)
from outlet box

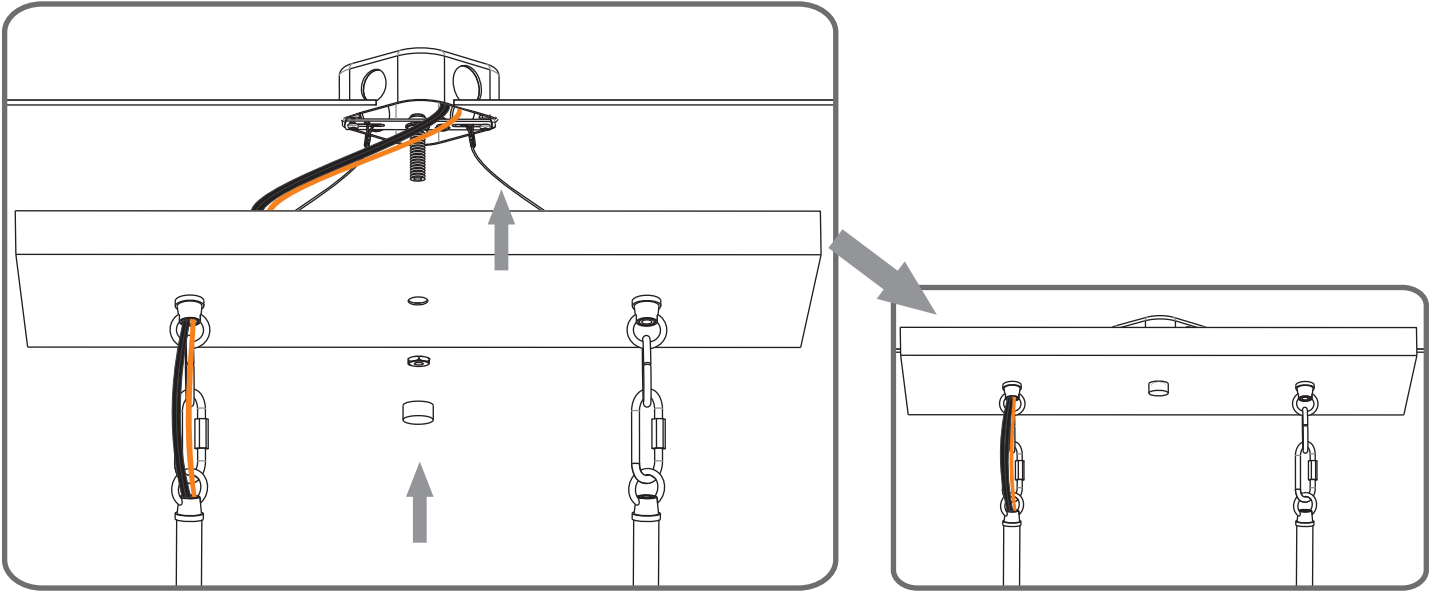
supply wire from fixture
Smooth side or identified
with the label "L"

Bare or Green ground wire
from outlet box

Ground wire
from Fixture

*Green Ground Screw
on crossbar optional

STEP 6



STEP 7

