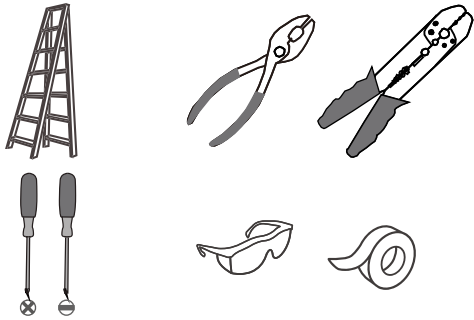
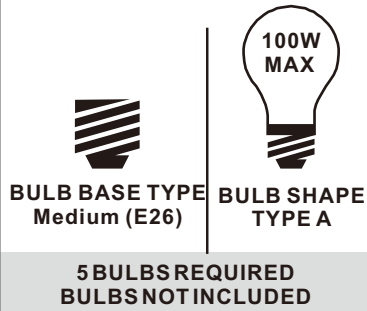


Tools Required



Light Source



**Fixture Height Adjustable
18" to 48"**

⚠ Warnings and Cautions

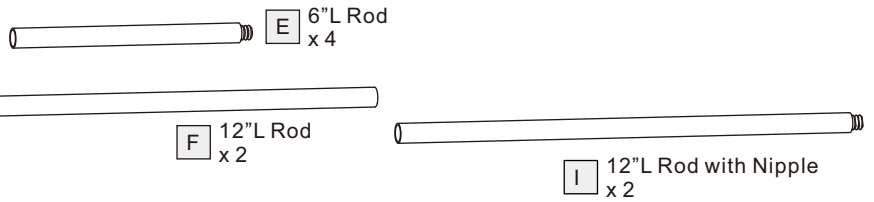
Turn off the electricity at the circuit breaker before installation. Consult a licensed electrician if in doubt about installation.

Turn off power to the fixture and allow the bulbs to cool before replacing.

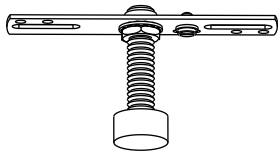
Package Contents

Preparation: Identify and inspect all parts before beginning the installation.

Missing or damaged parts? Contact your original place of purchase.



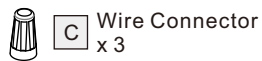
PARTS BAG



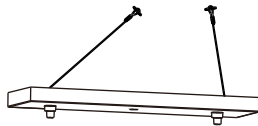
A Crossbar Assembly
x 1



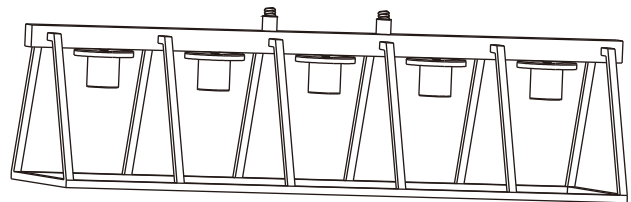
B Outlet Box Screw
x 2



C Wire Connector
x 3



D Ceiling Canopy
x 1



G Fixture Body
x 1



H Shade
x 5

Table of Contents

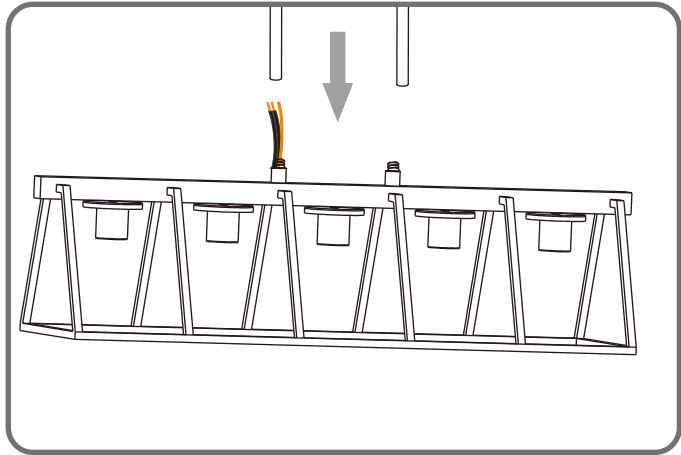

	Rods	Crossbar Assembly	Ceiling Canopy
	STEP 1	STEP 2	STEP 3
Lanyard	Wiring	Ceiling Canopy	Bulb
STEP 4	STEP 5	STEP 6	STEP 7

STEP 1

Optional Rods

8' ceiling:
(4) 6"L + (2) 12"L rods

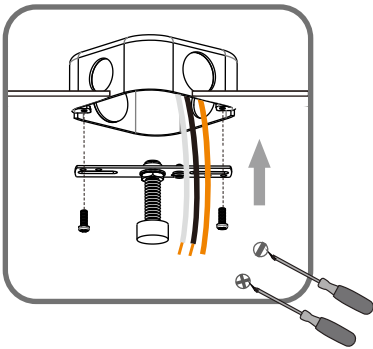
9' ceiling:
(4) 6"L + (4) 12"L rods



STEP 2

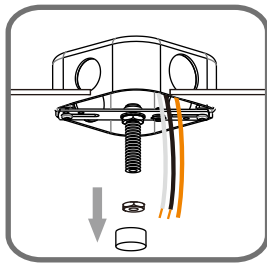
1

Step 1
Install crossbar assembly

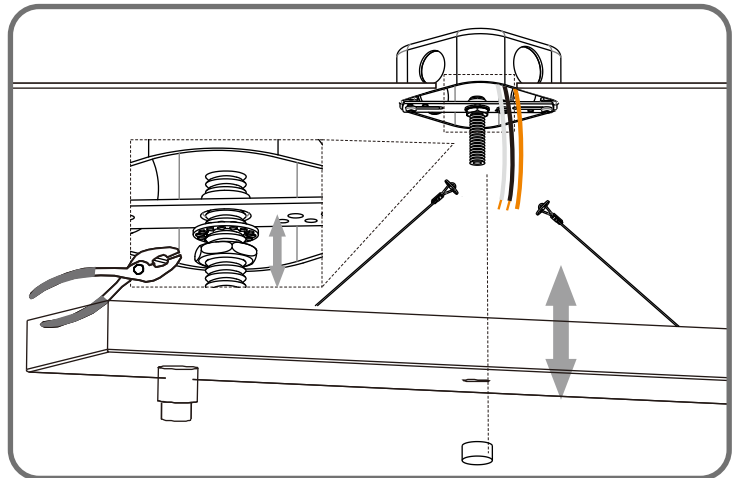


2

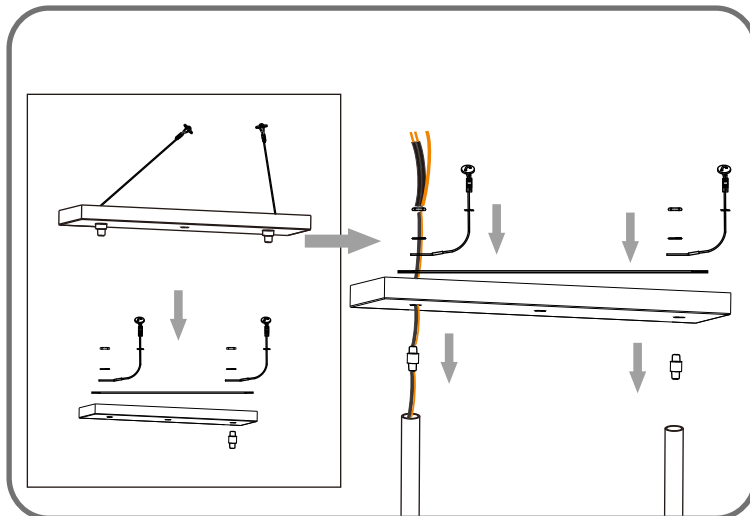
Step 2 - 3
Test fitting ceiling canopy to nipple



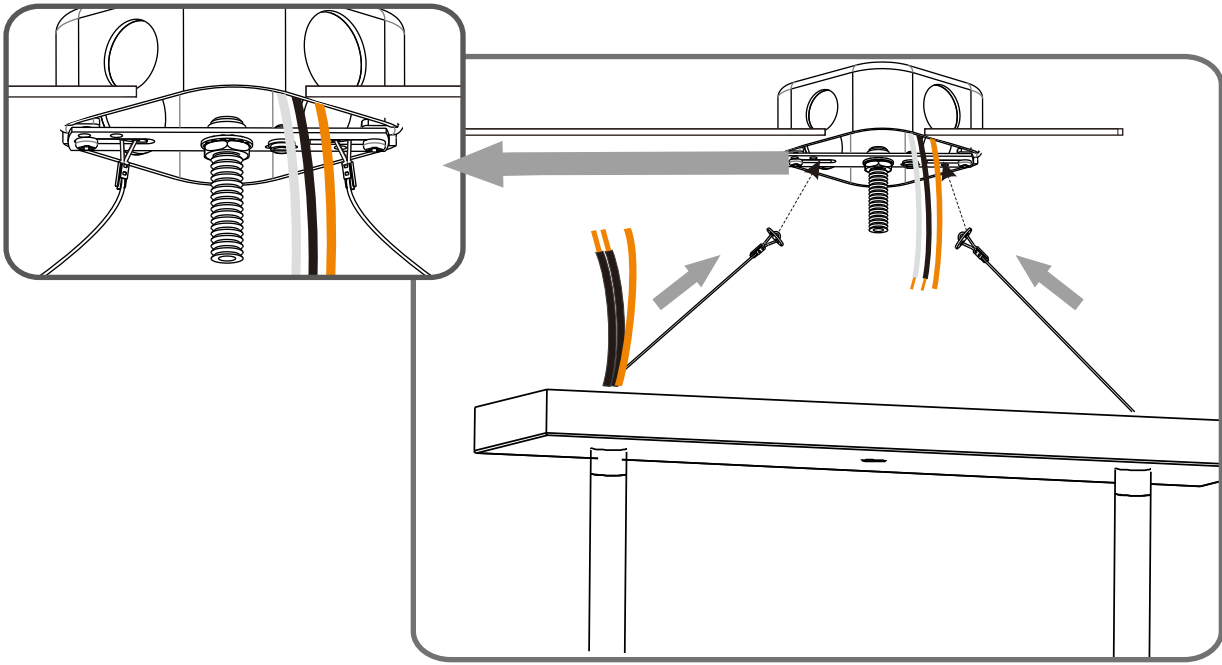
3



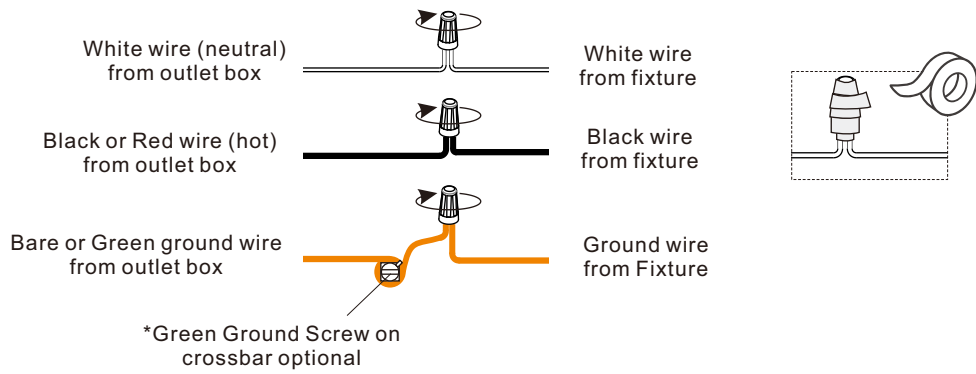
STEP 3



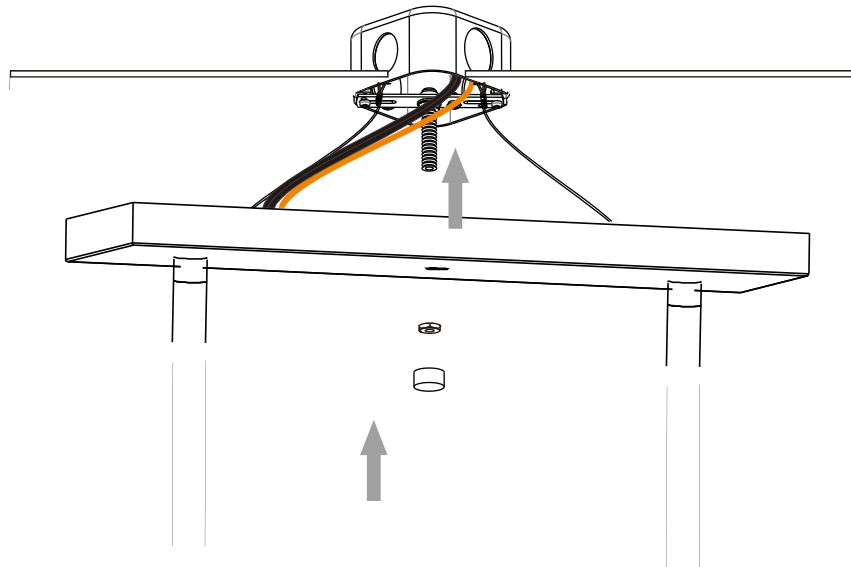
STEP 4



STEP 5



STEP 6



STEP 7

