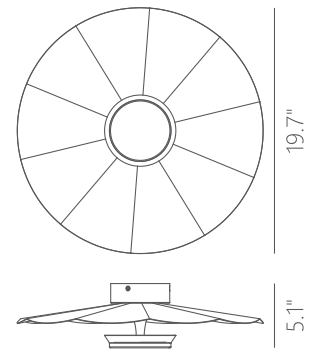


PROJECT			
DATE		TYPE	



PW131272-AB



IMPRESSION

Material: Steel	Color Temp.: 3000K
Finish: AB - Antique Brass	CRI (Ra): ≥90
	LED Rated Life: ≈50,000 Hours
	Dimming: 100% - 10%



	PW131272
Wattage:	11W
Voltage:	100~130V
Total Lumens:	1320
Delivered Lumens:	924

Dimmable with ELV or TRIAC Dimmer (Not Included)