

# AYLESBURY

## Features

- Solid brass construction
- ADA compliant traditional lever handles
- 7-13/16" (19.8 cm) spout length
- 1/2" NPT spout inlet fitting
- Intended for use with Newport Brass rough valve as specified (Required Accessory)
- Rough valve incorporates a brass valve body assembly
- Rough valve incorporates quarter-turn washerless ceramic disc valve cartridges

## Codes / Standards Compliance

Meets or exceeds the following at date of manufacture:

- ASME A112.18.1/CSA B125.1
- IAPMO/cUPC
- IPC
- ADA
- ICC/ANSI A117.1
- All applicable US Federal and State material regulations

## Wall-Mounted Tub Trim

# 3-2415



## Colors / Finishes

- 10B: Oil Rubbed Bronze
- 15: Polished Nickel
- 15S: Satin Nickel - PVD
- 26: Polished Chrome
- Other: Refer to the Newport Brass catalog for additional color/finish options.

## Specified Model

Model	Description	Colors   Finishes
3-2415	Wall-Mounted Tub Trim	<input type="checkbox"/> 10B <input type="checkbox"/> 15 <input type="checkbox"/> 15S <input type="checkbox"/> 26 <input type="checkbox"/> Other

## Required Accessory: Trim, above, and Rough Valve Kit, below, must both be specified

Application	Tub Only Valve*
Description	2-Cartridge Assembly
Inlet/Outlet	1/2"
Part Number	1-500T
Image	

\*Plumbing code restrictions prohibit the use of the 1-500T for showers unless the 1-535 (Remote BP Valve) is installed upstream of the 1-500T.


## Product Specification Add "Color / Finish" suffix to Model number, below.

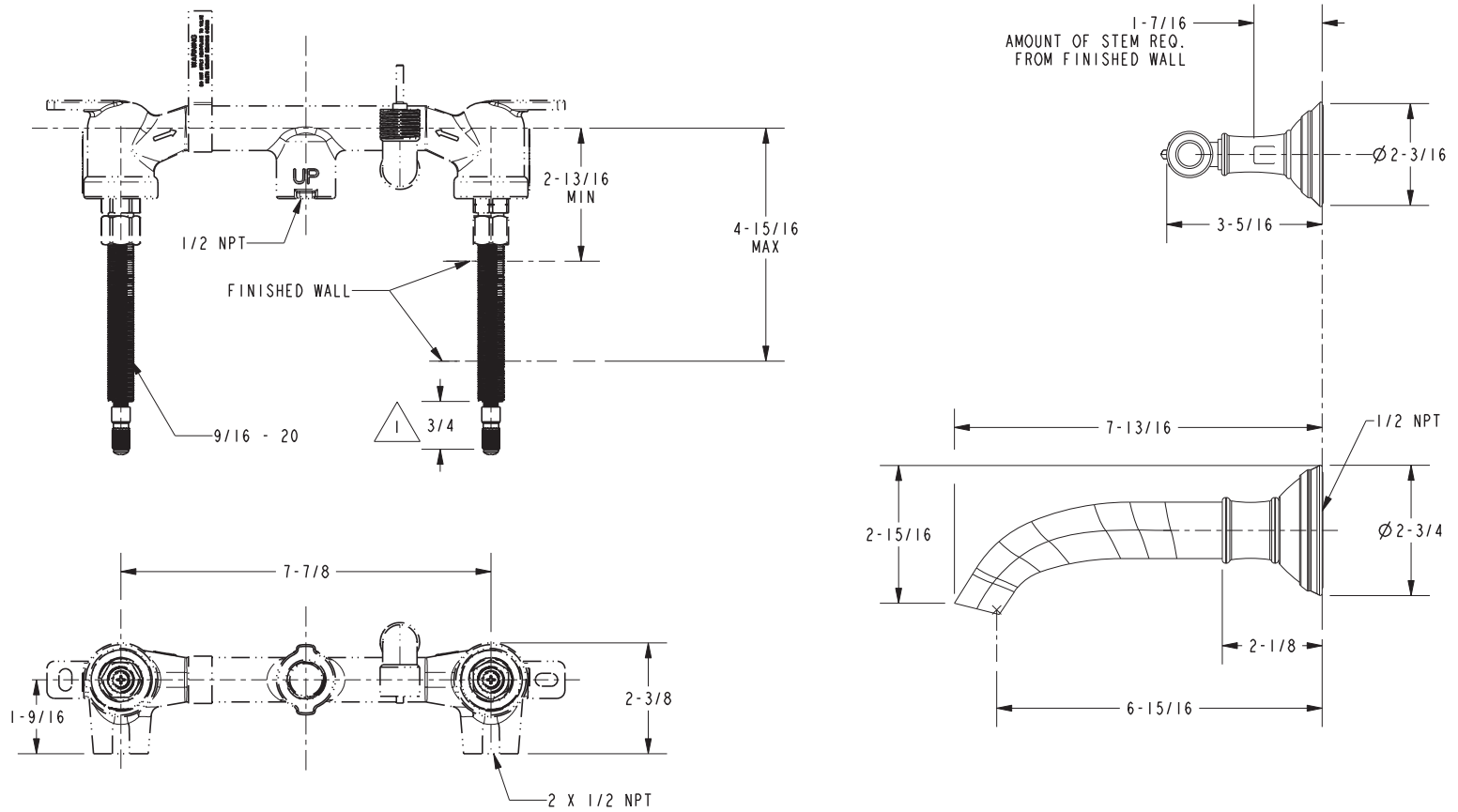
The Wall-Mounted Tub Trim shall be made of solid brass construction. Wall-Mounted Tub Trim shall include ADA compliant lever handles and a 7-13/16" (19.8 cm) tub spout that incorporates a 1/2" NPT inlet fitting. Wall-Mounted Tub Trim shall be Newport Brass Model 3-2415/\_\_\_\_ and Newport Brass rough valve shall be 1-500T.

# 3-2415

## PRODUCT DIMENSIONS *(Units are in inches)*

NOTES:

 CUT ALL THREAD 3/4" SHORTER THAN STEM



### Aylesbury Wall-Mounted Tub Trim 3-2415