
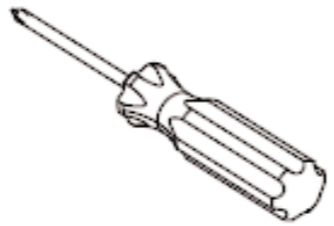

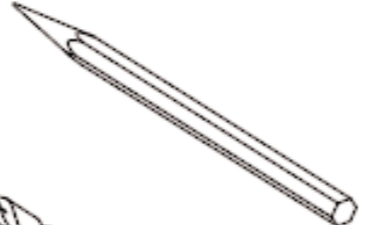

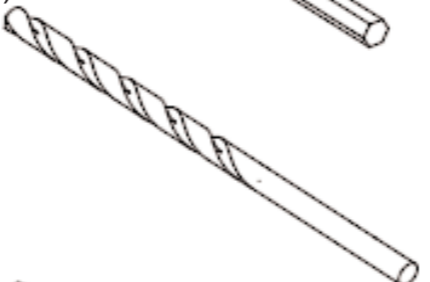

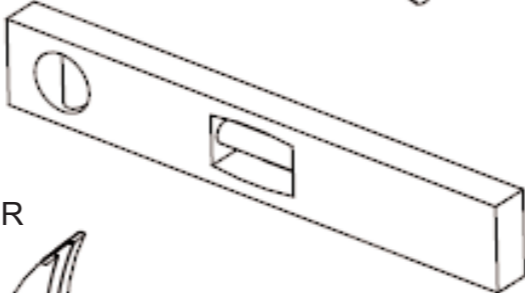

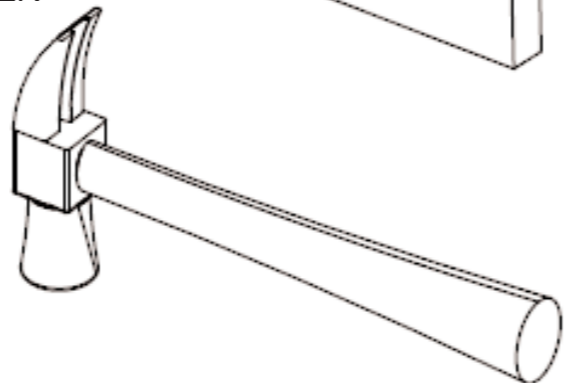
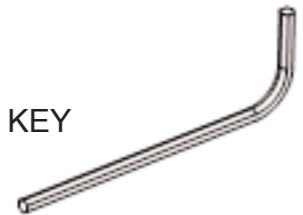
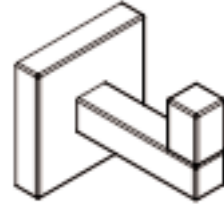


ITEMS INCLUDED		TOOLS REQUIRED	
DRY WALL ANCHOR	 X 2	PHILLIPS SCREW DRIVER	
TILE ANCHOR	 X 2	PEN / PENCIL	
#8 SCREW	 X 2	1/4" (6 mm) DRILL	
MOUNTING BRACKET	 X 1	LEVEL SET	
1/4-28x3/16" SET SCREW	 X 1	HAMMER	
1/8" HEX KEY	 X 1		
SINGLE ROBE HOOK	 X 1		

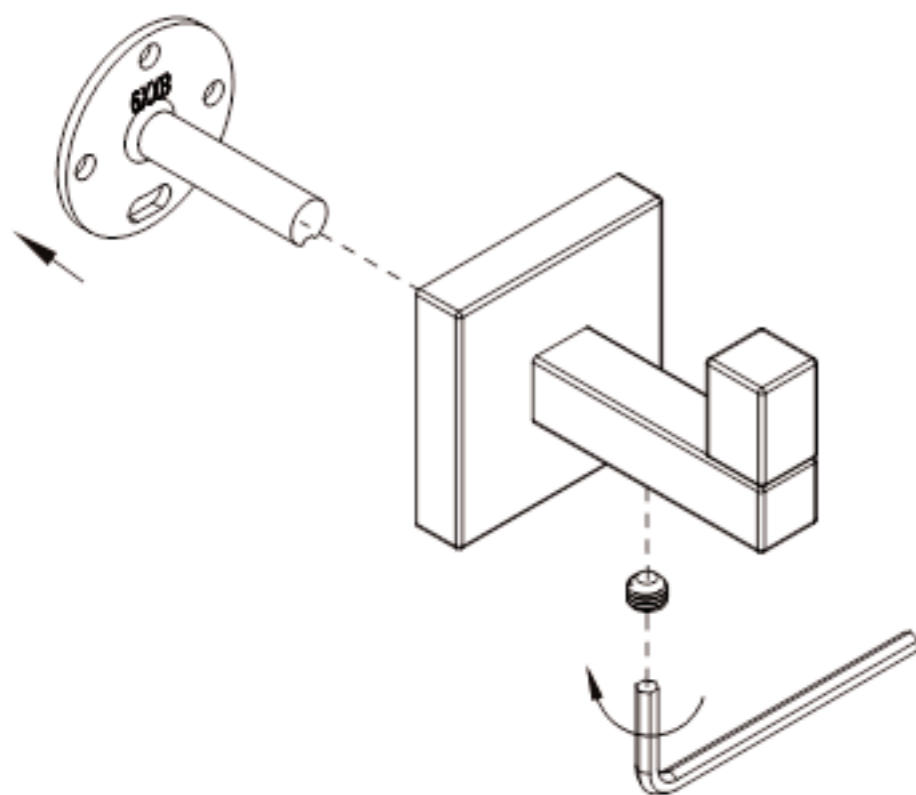
INSTALLATION INSTRUCTIONS

SINGLE ROBE HOOK

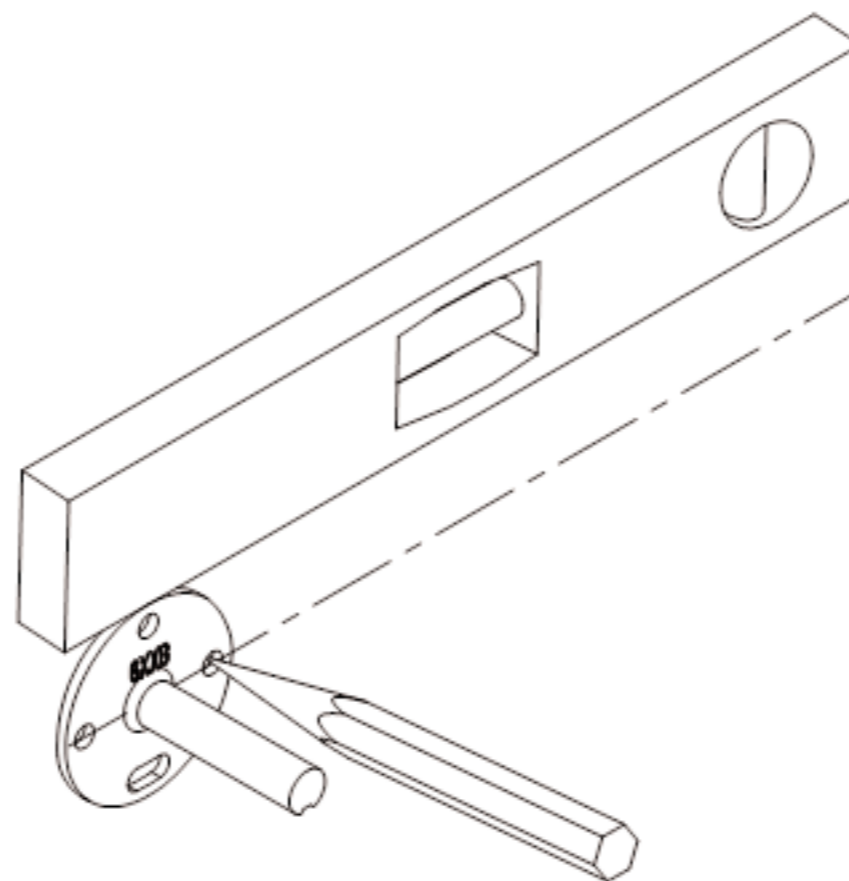


2001 CARNEGIE AVE, SANTA ANA CA 92705
 (949) 417-5207
 WWW.GINGERCO.COM
 WWW.NEWPORTBRASS.COM

① REMOVE MOUNTING BRACKET

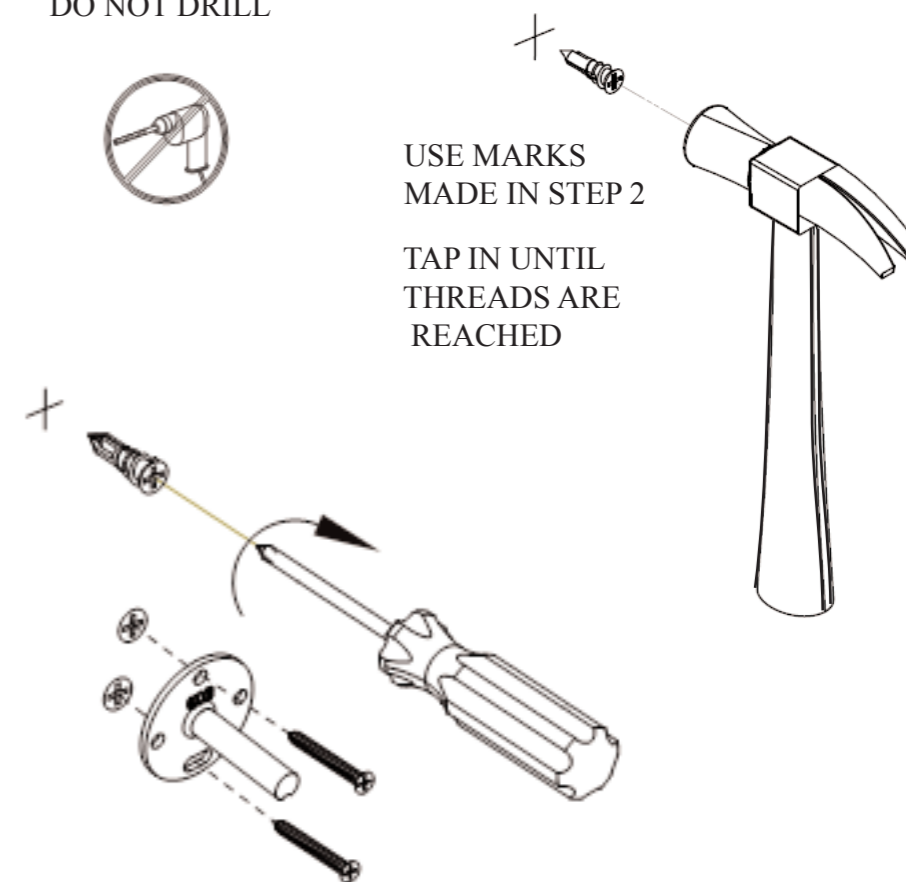


② ALIGN MOUNTING BRACKET AND MARK LOCATION



③ DRY WALL INSTALLATION

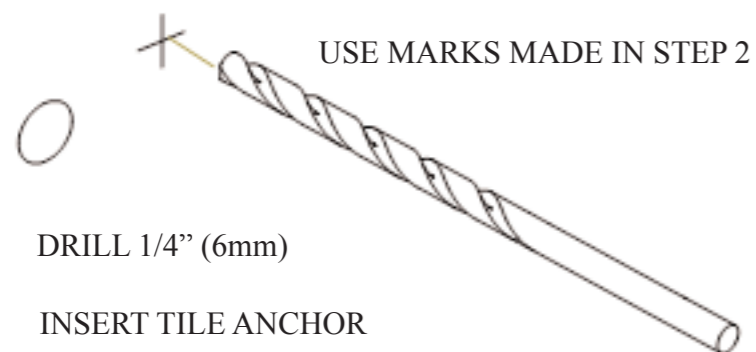
DO NOT DRILL



USE MARKS
MADE IN STEP 2

TAP IN UNTIL
THREADS ARE
REACHED

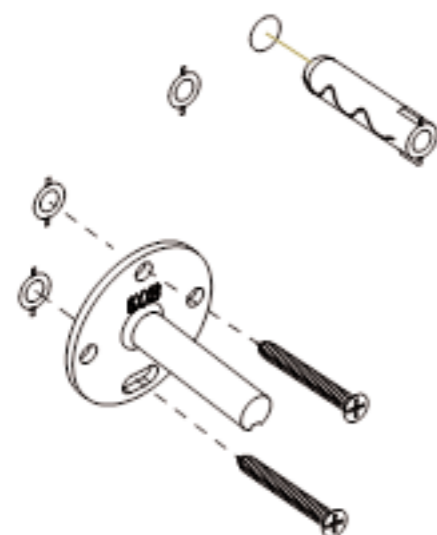
④ TILE OR SOLID WALL INSTALLATION



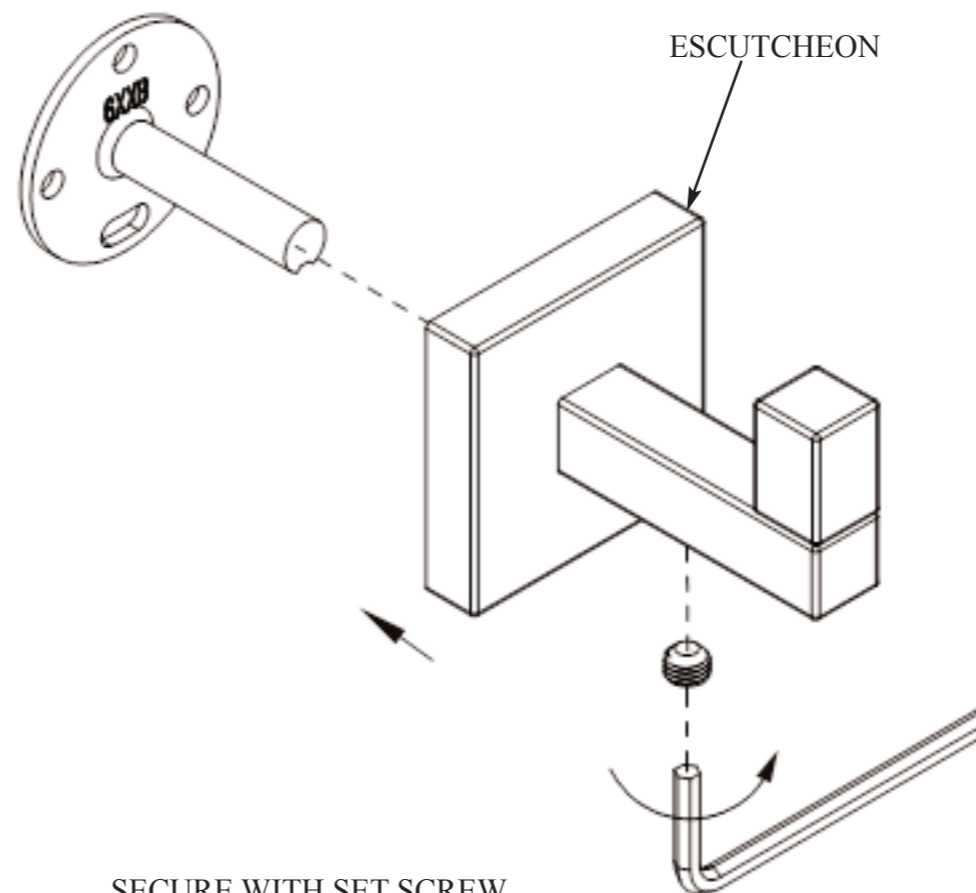
USE MARKS MADE IN STEP 2

DRILL 1/4" (6mm)

INSERT TILE ANCHOR



⑤ INSTALL PRODUCT ONTO BRACKET



ESCUTCHEON

SECURE WITH SET SCREW