

INSTALLATION INSTRUCTIONS

Item #N7307/N7310/N7316-598 (04/22/2015)

READ AND SAVE THESE INSTRUCTIONS

WARNING! SHUT POWER OFF AT FUSE OR CIRCUIT BREAKER.
AVERTISSEMENT! COUPER LE COURANT AU NIVEAU DES FUSIBLES OU DU DISJONCTEUR.

REPAIRING THE FIXTURE (Fig.2)

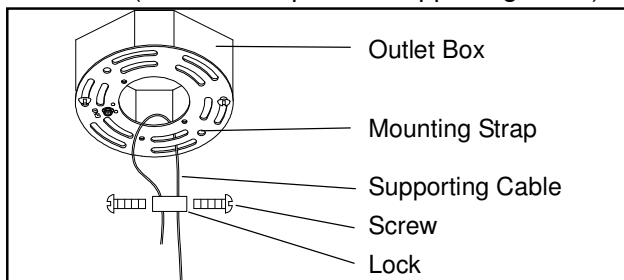
1. Shut off the power at the fuse box or circuit breaker. If necessary, remove the existing fixture and its mounting hardware from the ceiling.
2. Carefully remove the new fixture from the carton and check that all parts are included as shown in the illustration.
3. Place Cup (B) over nipple and secure with Frame (A). Place bead strings into the Frame (A) as shown.
4. Determine the desired hanging height and thread rods (C) into the top of the fixture body.
5. Carefully pass the fixture wires through the rods as you assemble and pull tight.
6. Pass the wires through the swivel and canopy and pull tight. Then thread the swivel onto the rods (C).

MOUNTING THE FIXTURE (Fig. 1)

7. Thread the two fixture screws into the mounting strap spaced the same distance apart as the holes in the canopy.
8. Attach the mounting strap to the outlet box using the box screws (Size: #8-32*0.5L). The side of the mounting strap marked "GND" must face out.

CONNECTING THE WIRES (Fig. 3)

9. At this point, connect the electrical wires as shown in Fig. 3, making sure that all wire connectors are secured. If your outlet box has a ground wire (green or bare copper), connect the fixture's ground wire to it. Otherwise, connect the fixture's ground wire directly to the mounting strap using the green screw provided. After the wires are connected, tuck them carefully inside the outlet box.
10. Place supporting cable through lock and secure with screw. Place the supporting cable through mounting strap and lock and secure with screw. (if the fixture provide supporting cable)

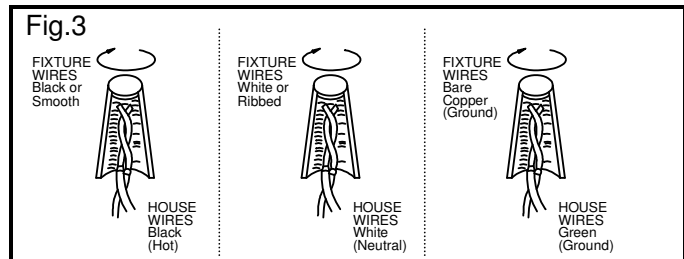
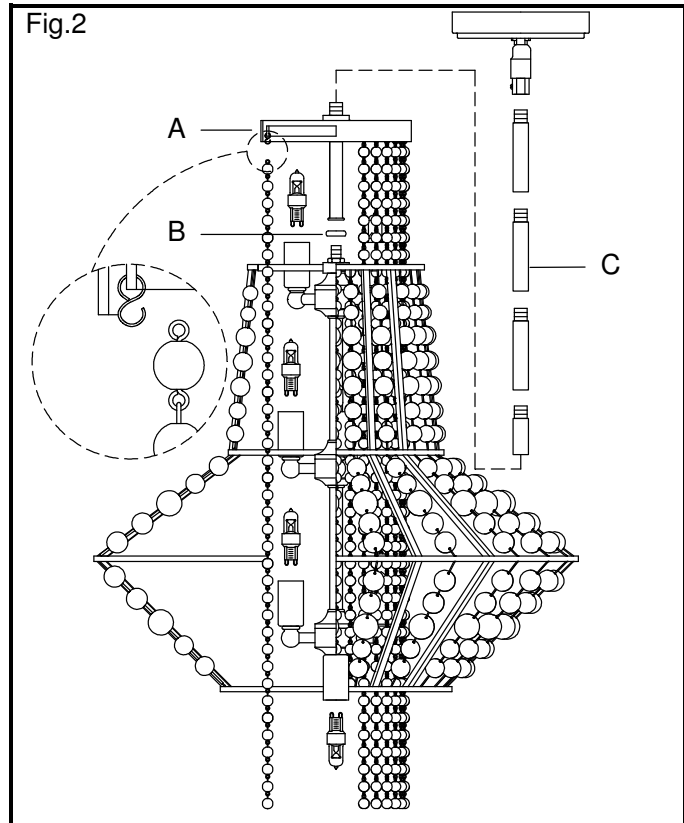
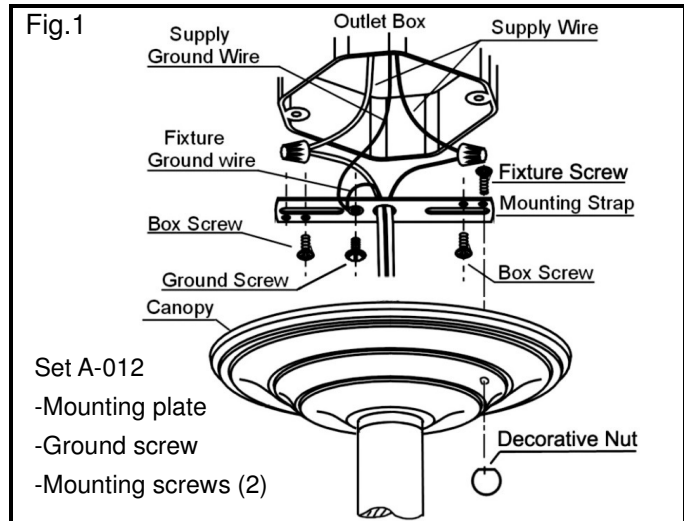


FINISHING THE INSTALLATION (Fig. 1 and 2)

11. Place the fixture canopy over the two fixture screws and secure with decorative nuts.
12. Install the light bulb (s) in accordance with the fixture's specifications. **(DO NOT EXCEED THE MAXIMUM WATTAGE RATING!) (NE PAS DEPASSER LA PUISSANCE NOMINALE MAXIMALE!) NOTE: BULBS WILL BE HOT! ALLOW SUFFICIENT TIME FOR BULBS TO COOL BEFORE HANDLING.**

Your installation is now complete. Return power to the outlet box and test the fixture.

Note: Illustration on this manual is for installation purposes only. It may or may not be identical to the fixture purchased.



american
lighting
association