

INSTALLATION INSTRUCTION FOR FIXTURE#4932

**WARNING! SHUT POWER OFF AT FUSE OR CIRCUIT BREAKER.
AVERTISSEMENT! COUPER LE COURANT AU NIVEAU DES FUSIBLES OU DU DISJONCTEUR.**

ASSEMBLING THE FIXTURE (FIG. 1)

1. Shut off the power at the fuse box or circuit breaker. If necessary, remove the old fixture from ceiling, including the mounting hardware.
2. Carefully remove the fixture from the carton and check that all parts are included as shown in the illustration.
3. Protrude the nipple with finial (J) through the bottom center hole of the frame (I), then set aside the frame;
4. Install the glass shade (G) onto the frame (I) by protruding nipple (I) through the center hole of the glass shade (G) and secure well with plastic washer (M), flat washer (L) and finial (K).
5. Assemble the frame (I) onto the upper fixture body by securing the arms (F) onto the frame (I) using the thumb screws (H).
6. Install the bulbs in accordance with the fixture's specifications. **(DO NOT EXCEED THE MAXIMUM WATTAGE RATING!) (NE PAS DEPASSER LA PUISSANCE NOMINALE MAXIMALE!).**

MOUNTING THE FIXTURE (FIG. 2)

7. Attach the cross bar (B) to the outlet box using the outlet box screws (A). The side of the cross bar marked "GND" must face out.
8. At this point, connect the electrical wires as shown in figure 2, making sure that all wire connectors are secured. If your outlet has a ground wire (green or bare copper), connect the ground wires from the hanger ball and mounting plate to it. Otherwise, connect the fixture's ground wire directly to the cross bar using the green screw provided. After wires are connected and secured, tuck them carefully into the ceiling junction box.
9. Raise the fixture main body to outlet box and attach by protruding mounting screws(C) through mounting holes on the canopy (D) and secure with ball nut (E).

Your installation is now complete.
Return power to the junction box to test the fixture.

Fig.1

Set A#A-010

-Crossbar

-Ground Screw

-Mounting screws (2)

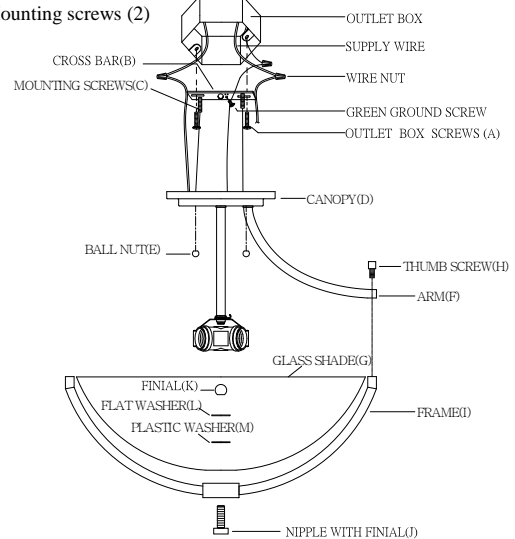


Fig .2

<p>FIXTURE WIRES Black or Smooth</p>	<p>FIXTURE WIRES White or Ribbed</p>	<p>FIXTURE WIRES Bare Copper (Ground)</p>
<p>HOUSE WIRES Black (Hot)</p>	<p>HOUSE WIRES White (Neutral)</p>	<p>HOUSE WIRES Green (Ground)</p>

