

# INSTALLATION INSTRUCTIONS

For item#4596-575 (New. 11/14/2017)

## READ AND SAVE THESE INSTRUCTIONS

**WARNING! SHUT POWER OFF AT FUSE OR CIRCUIT BREAKER.**

**AVERTISSEMENT! COUPER LE COURANT AU NIVEAU DES FUSIBLES OU DU DISJONCTEUR.**

### PREPARING FOR INSTALLATION (Fig. 1)

1. Shut off the power at the fuse box or circuit breaker box and remove the old fixture from the ceiling, including the mounting hardware.
2. Carefully unpack your new fixture and lay out all the parts in a clear area. Take care not to lose any small parts necessary for installation.
3. Position the mounting plate (C) on the ceiling, and mark location of the two mounting holes. Drill the holes on the wall, and then insert the plastic anchors (A).
4. Attach the mounting plate (C) to the junction box using mounting screws (B) (Size: #8-32N\*L0.5"). The side of the mounting plate marked "GND" must face out.
5. Secure the mounting plate (C) by inserting the wood screws (D) through the holes on the mounting plate into the plastic anchors (A).
6. Secure metal tube (J) into nipple (I) of the fixture body (L).
7. Determine the desired hanging height and thread rods (F1, F2 and F3) to the nipple of the metal tube (J). Then attach loop (H1) by screwing in to rod (F1). Note: remove the nipple if installing with one 6" rod only.
8. Attach the quick link (G) to loop (H1) and loop (H2) on the canopy (E), carefully feed the wire over loop (H1), quick link (G) and loop (H2).

### CONNECTING THE WIRES (Fig. 2)

9. At this point, connect the electrical wires as shown in figure 2, making sure that all wire connectors are secured. If your outlet has a ground wire (green or bare copper), connect the fixture's ground wire to it. Otherwise, connect the fixture's ground wire directly to the circular strap using the green screw provided.
10. Tuck the wire connectors neatly into the ceiling Junction Box and then raise the canopy all the way to the ceiling.

### COMPLETING THE INSTALLATION (Fig. 1)

11. Place canopy (E) over the mounting plate (C) and secure it with screws (F).
12. Place the candle cover (M) over the socket.
13. Install light bulb(s) (N) in accordance with the fixture's specification. **(DO NOT EXCEED THE MAXIMUM WATTAGE RATING!) (NE PAS DEPASSER LA PUISSANCE NOMINALE MAXIMALE!).**
14. Place the glass shade (O) twist to holder (K). (In clockwise direction)

Your installation is now complete. Return power to the outlet box and test the fixture.

**Note: Illustration (Fig. 1) on this manual is for installation purposes only. It may or may not be identical to the fixture purchased.**

Fig. 1

Set# A-021-300118

Rod# W30-1-575\*2(F1)

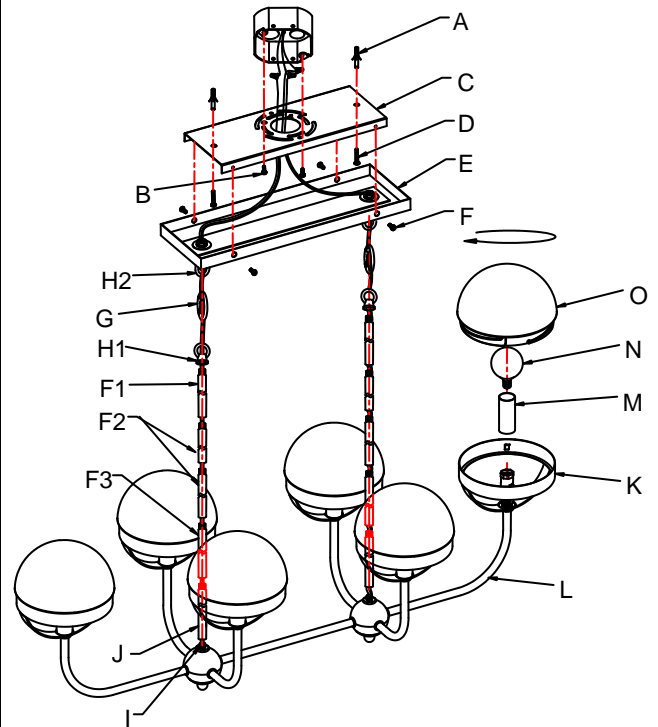
- Mounting Plate

W30-1-575\*4(F2)

- Ground screw

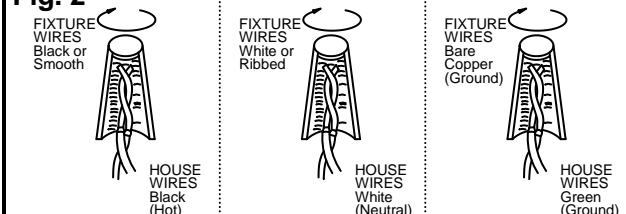
W30-H-575\*2(F3)

- Mounting Screw\*2



Candle Cover# CCV24060P-575

Fig. 2



LA-2857E

