

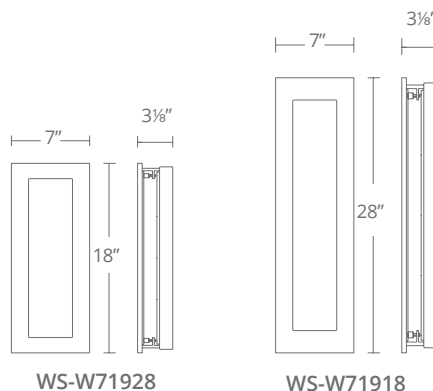


**Fixture Type:** \_\_\_\_\_

**Catalog Number:** \_\_\_\_\_

**Project:** \_\_\_\_\_

**Location:** \_\_\_\_\_



**PRODUCT DESCRIPTION**

Understated geometry to complement a variety of architectural styles. Sparkling central glass insert draws visual interest while subtle cues of upscale appeal communicate through the heavy gauge frame, the absence of visible hardware, and the quality illumination.

**SPECIFICATIONS**

**Construction:** Aluminum

**Light Source:** High output LED

**Finish:** Black (BK)

**Standards:** ETL & cETL Wet Location listed, IP65, CEC Title 24 Compliant, ADA Compliant

**FEATURES**

- Sparkling glass insert
- Weather-resistant powder coat
- No transformer or driver needed
- Dimmer: ELV
- Rated Life: 54,000 hours
- Color temp: 3500K
- CRI: 90

**ORDER NUMBER**

Model	Height	Wattage	Voltage	LED Lumens	Delivered Lumens	Finish
WS-W71918	18"	13W	120V	1000	583	BK
WS-W71928	28"	39W		3200	1829	Black

Example: WS-W71918-BK

modernforms.com  
 Phone (866) 810.6615  
 Fax (800) 526.2585

Headquarters/Eastern Distribution Center  
 44 Harbor Park Drive  
 Port Washington, NY 11050

Central Distribution Center  
 1600 Distribution Ct  
 Lithia Springs, GA 30122

Western Distribution Center  
 1750 Archibald Avenue  
 Ontario, CA 91760