




ATLAS

Irene-3

Designed in 2012




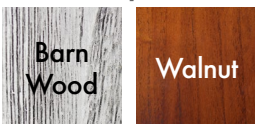
shown in Brushed Nickel
with 60" Walnut blades




shown in Textured Bronze
with 42" Barn Wood blades

Cutting a figure like no other, the Irene-3 is rustic, yet strikingly modern with three neatly joined, solid wood walnut or barn wood tone blades. A spherical motor housing complements its minimal profile. Irene-3 is streamline while still appearing warm and natural. Constructed of cast aluminum and heavy stamped steel, the Irene-3 has a limited lifetime warranty.

Blade Options



shown in Brushed Nickel
with 52" Barn Wood blades



shown in Textured Bronze
with 52" Walnut blades

SKU NAMING CONVENTION

SKU#	IR3-XX-XX-XX (Model+Finish+Blade+Diameter)	
Finishes	Brushed Nickel	- BN
	Textured Bronze	- TB
Blade Finish	Barn Wood Tone	- BW
	Walnut Tone	- WA
Fan Diameter	42 inches / 107 cm	- 42
	52 inches / 132 cm	- 52
	60 inches / 152 cm	- 60

STANDARD EQUIPMENT

One downrod of 10 inches / 13 cm

Vaulted ceiling canopy for up to 30°

6-speed RF remote control with reverse function in black



Wireless Decora-style, 6-speed, wall control in white



WARNING:

Only compatible with included controllers.

CEILING HEIGHT / DOWNROD TABLE

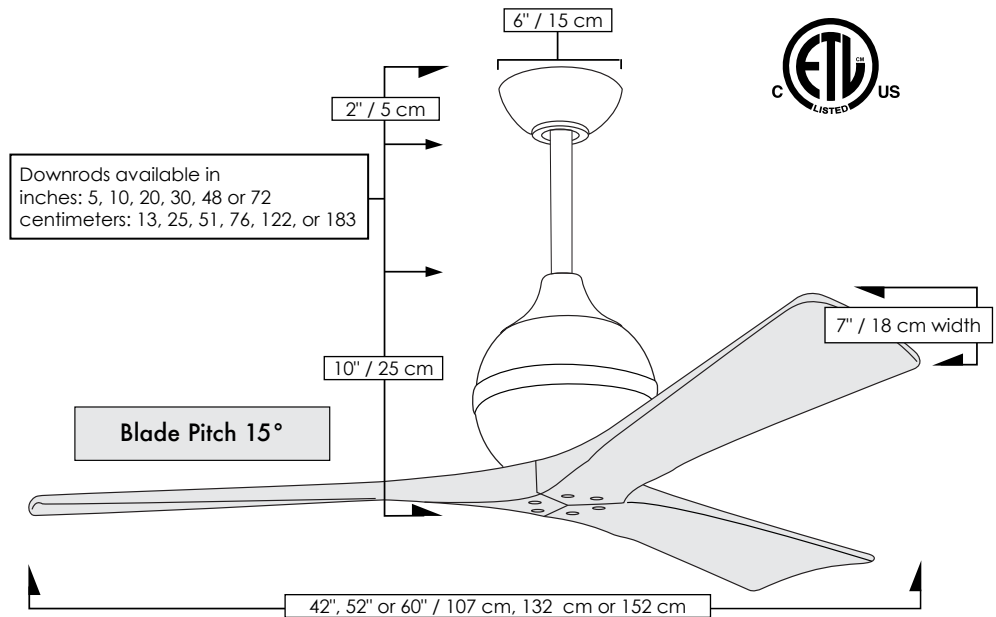
Ceiling Height	Downrod Lengths <i>Field cuttable. Non-threaded</i>
10 ft or less	5 inches / 13 cm
10 -12 feet	10 inches / 25 cm
13 feet	20 inches / 51 cm
14 feet	30 inches / 76 cm
15 feet	48 inches / 122 cm
16 feet +	72 inches / 183 cm

CEILING PITCH TABLE

0/12	0 degrees
1/12	4.76 degrees
2/12	9.46 degrees
3/12	14.04 degrees
4/12	18.43 degrees
5/12	22.62 degrees
6/12	26.57 degrees
7/12	30.26 degrees
8/12	33.69 degrees
9/12	36.87 degrees
10/12	39.81 degrees
11/12	42.51 degrees

Irene-3

TECHNICAL SPECIFICATIONS



FAN SPECIFICATIONS

Fan Diameters	inches: 42, 52 or 60 centimeters: 107, 132 or 152
Overall Drop	10 inches / 25 cm + downrod length
Fan Weight	17 lbs
Voltage	110 or 220
Motor Type	DC
Downrods Lengths <i>Field cuttable. Non-threaded</i>	inches: 5, 10, 20, 30, 48, 72 centimeters: 13, 25, 51, 76, 122, 183
Downrod Diameter	1 inch
Environment	Damp locations for all finishes Neither coastal, saltwater nor chlorine compatible
Ambience	Silent
Safety Certification	ETL / CETL
Warranty	Limited Lifetime

NEW JAN 21, 2020 DOE MOTOR EFFICIENCY DATA

	42 inch / 107 cm	52 inch / 132 cm	60 inch / 152 cm
RPM (Low / High)	52 / 231	51 / 196	52 / 160
CFM (Low / High)	541 / 3517	1531 / 6168	2088 / 6984
Watts (High)	17.08	32.12	31.67
CFM/Watt (High)	205.91	192.03	220.54
Blade Pitch	15°	15°	15°

Matthews Fan Company

1881 Industrial Drive
Libertyville, IL 60048
Tele: 847.680.9043
Fax: 847.680.8140

www.matthewsfanco.com

© 2019 Matthews Fan Company. All rights reserved.

