

shown in Gloss White  
with Walnut blades

shown in Gloss White  
with Gloss White blades

WET LOCATION



ATLAS

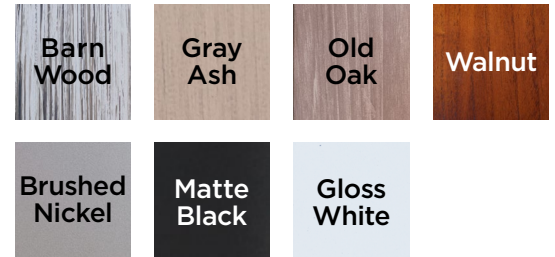
# Eliza

*Geometry in Motion*

Designed in 2014

Designed by Chicago architect Stephen Katz in 2013, the wet location Eliza blends a beautiful technically derived form with superior function and movement. The unique blade shape is designed to maximize air movement at the outer edge of the blade. The result is more efficient air velocity rings, less blade drag and greater motor optimization. Equally important is Eliza's stationary visual statement which combines modern utility with minimalist geometry. Constructed of cast aluminum and heavy stamped steel, the Eliza has a limited lifetime warranty.

### Blade Options



shown in Gloss White with  
Old Oak blades

shown in Brushed Nickel with  
Brushed Nickel blades

shown in Matte Black  
with Matte Black blades

shown in Gloss White  
with Barn Wood blades

shown in Brushed Nickel  
with Gray Ash blades

## SKU NAMING CONVENTION

SKU#	<b>EK-XX-XXX</b> (Model+Finish+Blade Finish)
Finishes	Brushed Nickel - <b>BN</b> Gloss White - <b>WH</b> Matte Black - <b>BK</b>
Blade Finishes	Barn Wood - <b>BW</b> Brushed Nickel - <b>BN</b> Gloss White - <b>WH</b> Gray Ash - <b>GA</b> Matte Black - <b>BK</b> Old Oak - <b>OO</b> Walnut - <b>WN</b>

## STANDARD EQUIPMENT

One downrod of 10 inches / 13 cm

Vaulted ceiling canopy for up to 30°

6-speed RF remote control with reverse function in black



Wireless Decora-style, 6-speed, wall control in white



**WARNING:**  
Only compatible with included controllers.

## CEILING HEIGHT / DOWNROD TABLE

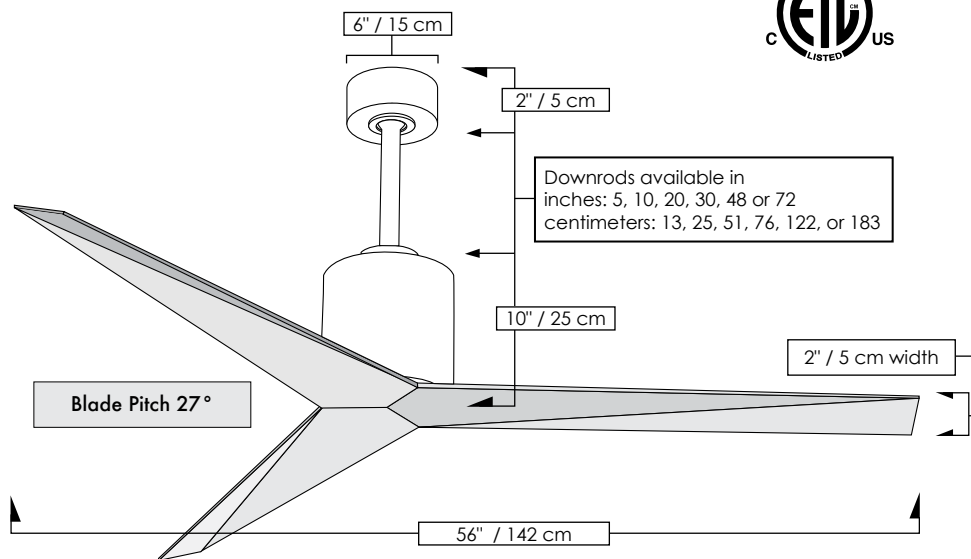
Ceiling Height	Downrod Lengths <i>Field cuttable. Non-threaded</i>
10 ft or less	5 inches / 13 cm
10 -12 feet	10 inches / 25 cm
13 feet	20 inches / 51 cm
14 feet	30 inches / 76 cm
15 feet	48 inches / 122 cm
16 feet +	72 inches / 183 cm

## CEILING PITCH TABLE

0/12	0 degrees
1/12	4.76 degrees
2/12	9.46 degrees
3/12	14.04 degrees
4/12	18.43 degrees
5/12	22.62 degrees
6/12	26.57 degrees
7/12	30.26 degrees
8/12	33.69 degrees
9/12	36.87 degrees
10/12	39.81 degrees
11/12	42.51 degrees

# Eliza

## TECHNICAL SPECIFICATIONS



## FAN SPECIFICATIONS

Fan Diameter	56 inches / 142 cm
Overall Drop	12 inches / 30 cm + downrod length
Fan Weight	17 lbs
Voltage	110 or 220
Motor Type	DC
Downrods Lengths <i>Field cuttable. Non-threaded</i>	inches: 5, 10, 20, 30, 48, 72 centimeters: 13, 25, 51, 76, 122, 183
Downrod Diameter	1 inch
Environment	Wet locations for all finishes All weather blade system. Neither coastal, saltwater nor chlorine compatible
Ambience	Silent
Safety Certification	ETL / CETL
Warranty	Limited Lifetime

## NEW JAN 21, 2020 DOE MOTOR EFFICIENCY DATA

RPM (Low / High)	52 / 172
CFM (Low / High)	1633 / 5439
Watts (High)	33.13
CFM/Watt (High)	164.16
Blade Pitch	27°

### Matthews Fan Company

1881 Industrial Drive  
Libertyville, IL 60048  
Tele: 847.680.9043  
Fax: 847.680.8140

www.matthewsfanco.com

© 2019 Matthews Fan Company. All rights reserved.

