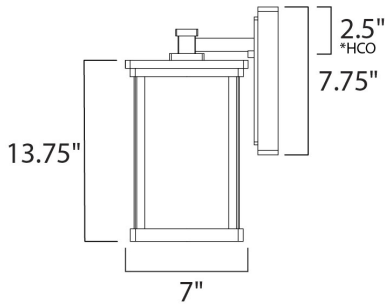




#### PRODUCT DESCRIPTION



\*height from center of outlet to the top of the fixture

#### MEASUREMENTS

DIMENSION : 7" W x 13.75" H x 8.5" Ext  
 BACK PLATE : 5.25" W x 7.75" H x 2.5" HCO  
 HANGING WEIGHT : 4.62 lb

#### LAMPING

INPUT VOLTAGE : 120V  
 LUMENS : 800 Rated  
 BULB : 1 x 9W LED E26 Medium , 9W Total  
 BULB INCLUDED : (Included)  
 DIMMABLE : Triac CL  
 CRI : 90+ CRI  
 COLOR\_TEMP : 3000K

#### FINISHES OPTION

 Bronze

#### GLASS

Frosted Seedy FS

#### MATERIAL

Die Cast Aluminum

#### RATINGS

cETLus  
 Wet Location  
 Energy Star  
 JA8 Bulb In



#### ADDITIONAL

INCANDESCENT WATTS:  
 RATED LIFE 25000 Hours  
 OPERATING TEMPERATURE:  
 -20°C (-4°F), 40°C (104°F)

Always consult a qualified electrician before installing any lighting product.



**WESTERN DISTRIBUTION CENTER (HEADQUARTER)**  
 253 NORTH VINELAND AVE | CITY OF INDUSTRY, CA 91746

**EASTERN DISTRIBUTION CENTER**  
 4200 SHIRLEY DR. | ATLANTA, GA 30336

P. 626.956.4200 | F. 626.956.4225 | maximlighting.com