

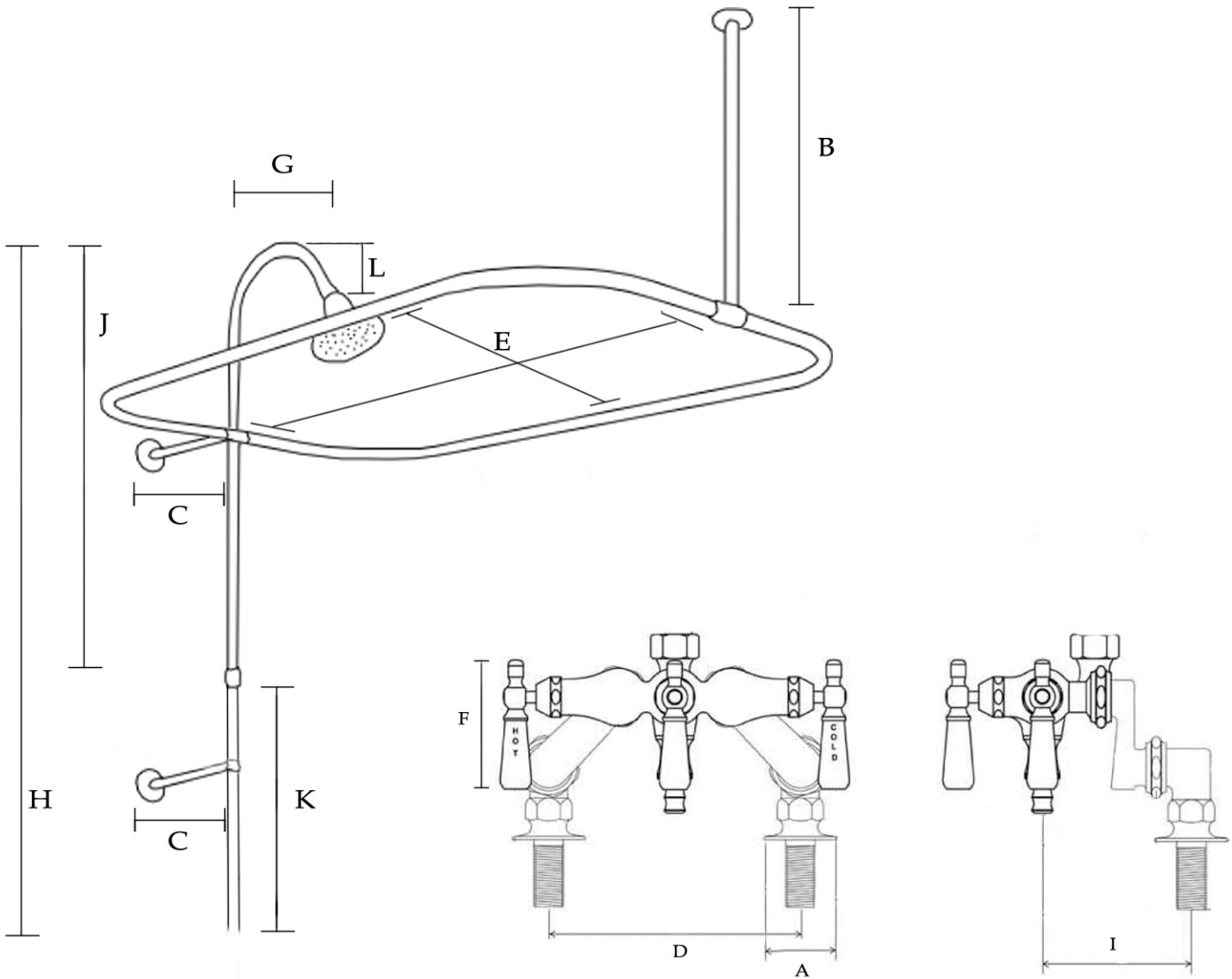


MAIDSTONE

www.MaidstoneSupply.com

Deck Mount Shower Enclosure with Downspout & Showerhead

Part No:125-DR1



(A) Base: 2" OD

(B) Brace - Ceiling: 30" L

(C) Brace - Wall: 10" L

(D) Centers: 3" - 8-1/2" W

(E) Frame: 28" W x 54" L; 3/4" OD

(F) Handle: 3-9/16" L

(G) Projection: 9" Reach

(H) Riser: 76" H; 5/8" OD

(I) Spout: 4-1/8" Reach

(J) Upper Pipe Riser: 28" L

(K) Lower Riser Pipe: 48" L

(L) Riser Curve Drop: 5" L

Flow Rate: 7 gal/min

Contact Maidstone for additional information and specifications. For complete warranty information and a list of dealers visit www.MaidstoneSupply.com. All products and specifications are subject to change without notice. Maidstone is not responsible for typographical and/or dimensional errors. Typographical errors are subject to correction.

Note: Rough-in dimensions may vary +/- 1/2" and are subject to change. No responsibility is assumed by Maidstone.

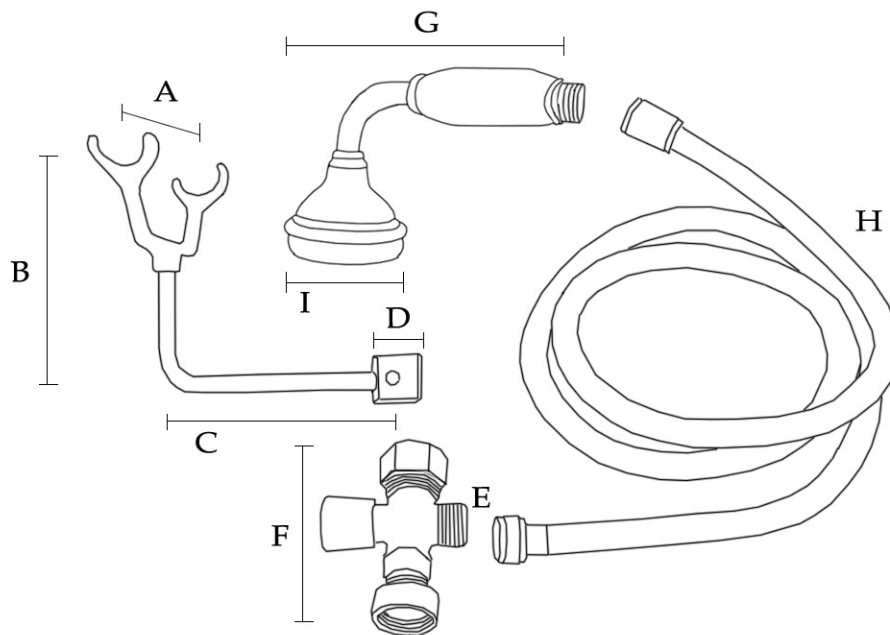


MAIDSTONE

www.MaidstoneSupply.com

Deck Mount Shower Enclosure with Downspout & Showerhead

Part No:125-DR1



(A) Cradle: 5-3/4" W

(D) Cradle Ring: 5/8" OD

(G) Handshower: 7" L

(B) Cradle: 4-3/4" H

(E) Diverter Body: 1/2" Male IPS

(H) Hose: 59" L

(C) Cradle: 4-1/2" Reach

(F) Diverter Body: 2" H

(I) Shower Head: 2-1/2" OD

Contact Maidstone for additional information and specifications. For complete warranty information and a list of dealers visit www.MaidstoneSupply.com. All products and specifications are subject to change without notice. Maidstone is not responsible for typographical and/or dimensional errors. Typographical errors are subject to correction.

Note: Rough-in dimensions may vary +/- 1/2" and are subject to change. No responsibility is assumed by Maidstone.