



## ASSEMBLING & INSTALLATION INSTRUCTIONS

The drawing shown may not exactly match the product enclosed.  
However, the installation instructions do apply to this product.

### Hamilton series post lamp

- ◆ **WARNING! SHUT POWER OFF AT FUSE OR CIRCUIT BREAKER.**
- ◆ **ATTENTION! COUPER LE COURANT AU FUSIBLE OU UN DISJONCTEUR.**

#### ASSEMBLING THE FIXTURE (Fig.1).

**\*Shut off the power at the circuit breaker and remove old fixture, including the old small hardware.**

1. Carefully unpack your new fixture and lay out all the parts on a clear area. Be careful and don't lose any small parts that's necessary for installation. The finial (Part A) is hid inside the top cover (Part B) for packaging purposes.
2. Install the light bulbs(not included) in accordance with the fixture specifications.  
**NOTE: DO NOT EXCEED THE SPECIFIED WATTAGE!**
3. Raise the pipe nipple of the finial(A) insert cover (B) and lock it securely with the hex nut(D).
4. Attach the cover(B) onto the fixture body(E), aligning the holes on it and lock it securely with hex nut(C). Screw the pole(F),(G) together tightly. **Follow wiring instructions carefully (see fig.2).**
5. Put the pole(I) onto the concrete base using the mounting knob(J).
  - A. The depth of the base will depend on local soil conditions and frost line. The diameter of the base should be 305mm in order to hold the anchor bolts on the plate.
  - B. Take the three bolts(L) and run a hex nut(M) fully down each part of the threaded section. Insert the bolt(L) to the template(K) and secure with the second hex nuts.
  - C. Mix and pour the concrete into the former until it reaches the top. Push the assembly into concrete until the plate are 0.25inches above the concrete .Leaving 2.5 inches of the thread above the concrete.
  - D. It is important to level the template before the concrete sets.
7. Install the fixture together with the pole(F),(G) onto the pole(I),secure them using the machine screws(H).

#### CONNECTING THE WIRES (Fig.2)

**\*Feed the fixture wires through the pole(F),(G) .**

1. Take the black wire(hot) from the outlet box and the black wire of fixture and twist bare ends together. Twist wire connector onto end of wire until snug.
2. Repeat same process with white wire(neutral) from outlet box and white wire of fixture. **NOTE: Twist wires together in the same direction you twist the wire connector onto wires.**
3. If your outlet box has a grounding wire (green or bare copper), attach this wire and the bare copper wire from the fixture together as step 1.If junction box has no ground wire, attach the bare copper fixture wire to the green ground screw in the bottom of the pole(I).
4. Tuck the wire connections neatly into the pole. Take the fixture(E) mount onto the pole(F).

**Your installation is now complete. Return power to the junction box and test the**

fixture.

Fig.1

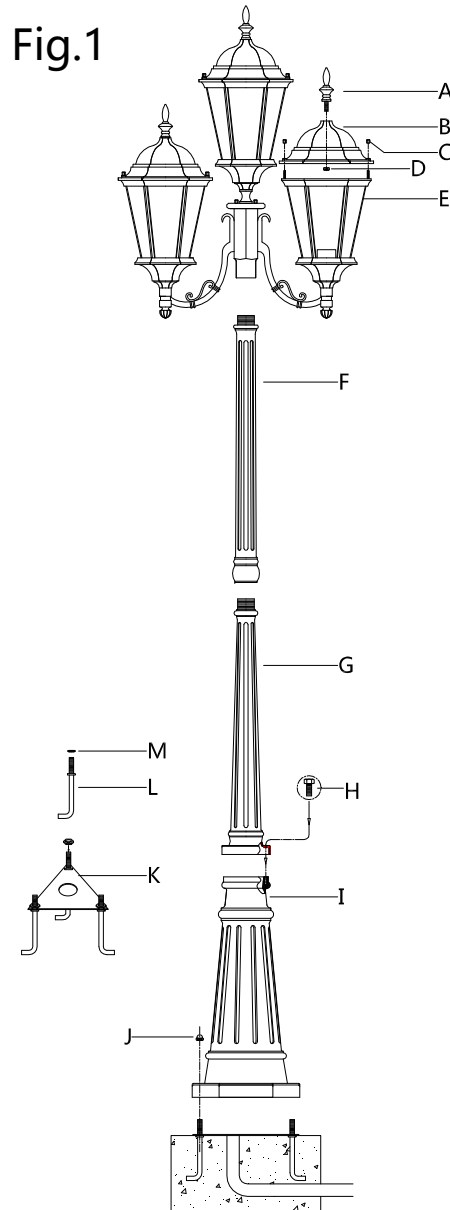
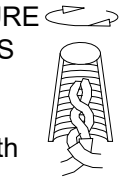


Fig.2

FIXTURE WIRES  
Black  
or  
Smooth



HOUSE WIRES  
Black(Hot)

FIXTURE WIRES  
White  
or  
Ribbed



HOUSE WIRES  
White  
(Neutral)

FIXTURE WIRES  
Bare  
Copper  
(Ground)



HOUSE WIRES  
Green or Bare  
Copper(Ground)

Thank you for purchasing a **LIVEX** product.  
Need assistance with parts or assembly? Please call customer service at: **800-761-8056**  
Or visit us on-line at: [WWW.LIVEXLIGHTING.COM](http://WWW.LIVEXLIGHTING.COM)