

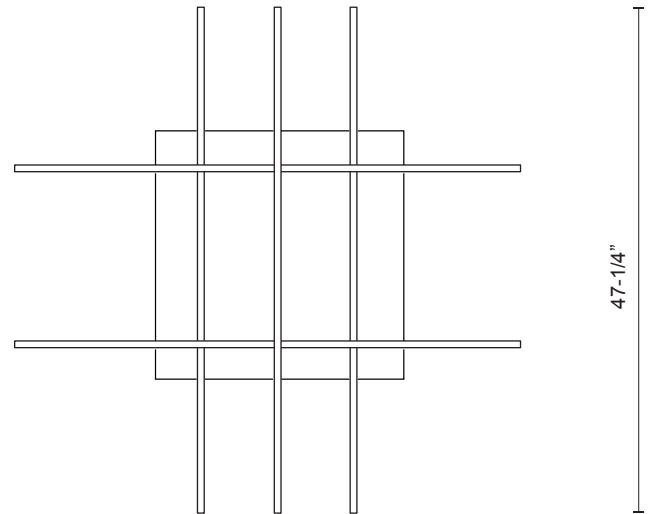
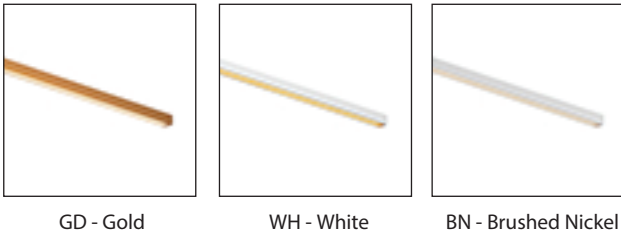
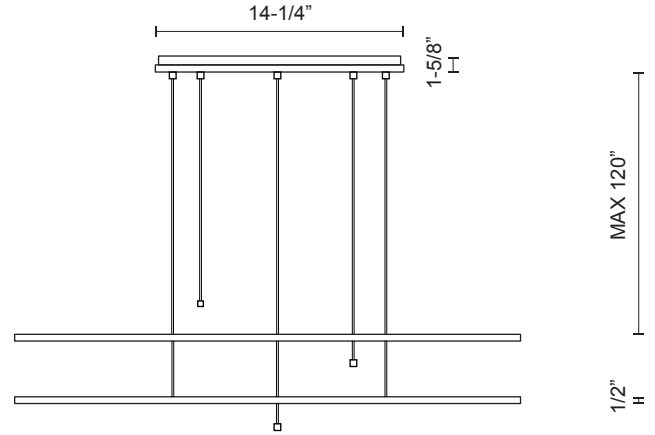
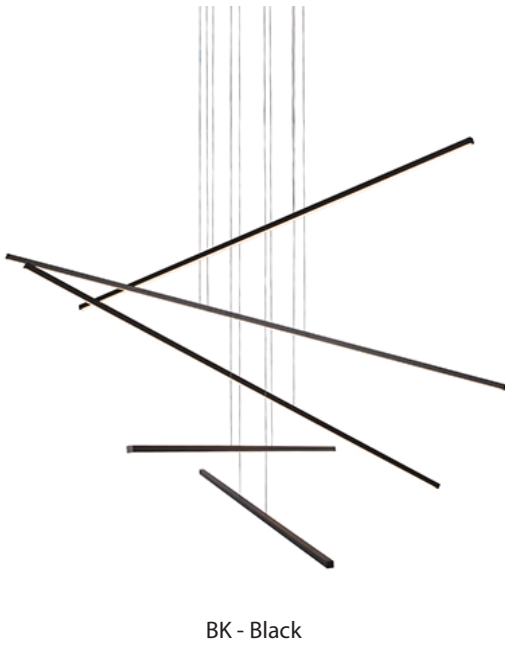
# MP18205

Specification Sheet

## Multi Pendant

PROJECT					
DATE				TYPE	
<b>Voltage</b>	<b>Watt</b>	<b>LED Lumens</b>	<b>Delivered Lumens</b>	<b>Finish(es)</b>	<b>Color Temp</b> 3000K
120V	125W	11340lm	3380lm*	BK - Black	CRI(Ra) >90
120V	125W	11340lm	4350lm*	BN - Brushed Nickel	Dimming 100%-10%
120V	125W	11340lm	3780lm*	GD - Gold	Rated Life 50,000 hours
120V	125W	11340lm	5200lm*	WH - White	

\*Preliminary figures



### Product Descriptions

Square profile linear aluminum with thin cables.  
Inset opal polymeric diffuser.  
Finely textured plate or powder-coat finish.

### Product Details

High system efficacy. Low total life cycle cost. ETL Listed.  
5-years warranty.  
Complete warranty terms located at: [www.kuzcolighting.com/warranty](http://www.kuzcolighting.com/warranty)  
Utilizes our LED Driver Light Engine.  
LED Driver within canopy.  
Down light distribution.  
Max. cable length of 120".  
Dimmable with ELV or TRIAC dimmer (not included)  
Custom options available.

Canopy dimensions:  
L: 14-1/4"; W: 14-1/4"; H: 1-5/8"

Comments: