

# INSTALLATION INSTRUCTIONS FOR P1724-084-L

## For LED Island

**WARNING! SHUT POWER OFF AT FUSE OR CIRCUIT BREAKER.**

**AVERTISSEMENT ! COUPER LE COURANT AU NIVEAU DES FUSIBLES OU DO DISJONCTEUR.**

### PREPARATION

1. Shut off power at the fuse box or circuit breaker box. If necessary remove the old fixture and mounting hardware.
2. Carefully unpack your new fixture and lay out all the parts on a clear area. Take care not to lose any small parts necessary for installation.

### SUGGESTED INSTALLATION (Fig. 3)

3. Use the "key holes" located on the mounting plate (B) as a template to mark the location of the plastic anchors (A) and pre-drill two holes
4. Install the plastic anchors (A) into the wall.
5. Align the "key holes" on the mounting plate (B) to the plastic anchors (A) and secure with screws (C).
6. Secure mounting back plate (B) to junction box using junction boxes screws (D) (Size: 8-32\*1/2"L). The side of the mounting back plate marked "GND" must face out.
7. Determined desired rod length to be installed and ensure same rods each side, thread wires into rods carefully, secure rod into fixture body with screws (J).
8. Thread swivel (K) onto rod, align canopy (E) with swivel by tighten with key washer (Q) and nut (N).

### CONNECTING THE WIRES (FIG. 2)

9. At this point, connect the electrical wires as shown in Fig. 2, making sure that all wire connectors are secured. If your outlet has a ground wire (green or bare copper), connect the fixtures ground wire to it. Otherwise, connect the fixture ground wire directly to the mounting plate (B) using the green screw provided. After wires are connected, tuck them carefully inside the junction box.

### FINISHING THE INSTALLATION (FIG.1)

10. Align canopy (E) to mounting plate (B) with screws (M). Attach L-shape hook (H) onto shade PC1723 (I) and align them with holes on fixture body, then tighten with screw (G).
11. Your installation is now complete. Return power to the junction box and test the fixture.

**CAUTION /ATTENTION:** When handling shade PC1723 (I) with gloves attached. And if acrylic were dirty, use clean water to wash and make it dry.

**IMPORTANT:** Fixture should be installed by a qualified electrician to ensure proper wiring and installation.

**Dimmable with ELV and/or LED compatible wall dimmer switches.**

FIG 1

Back plate  
Green screw  
Mounting  
Screws(2)

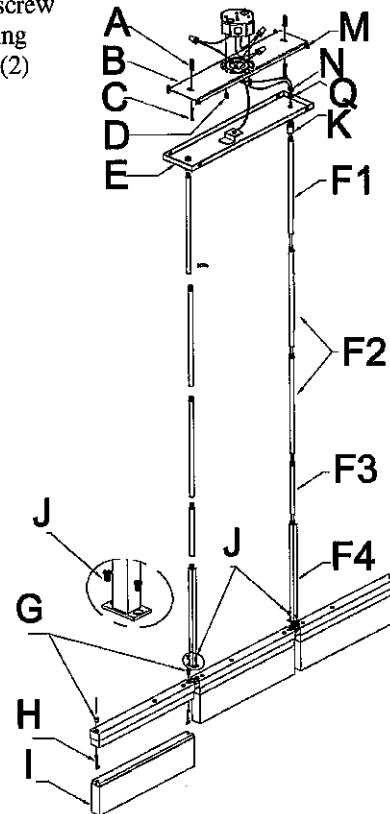


FIG. 2

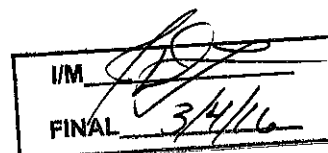
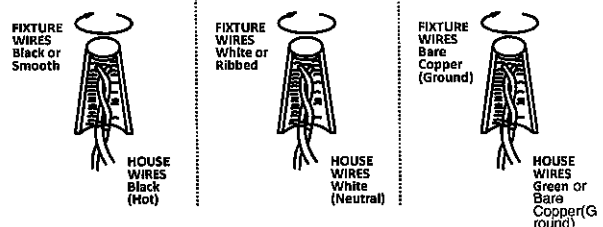
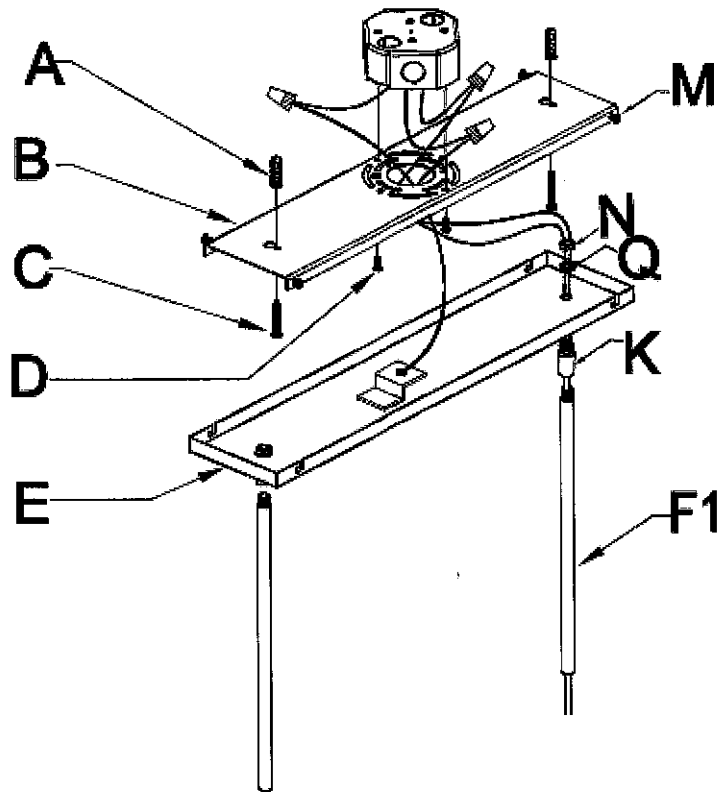
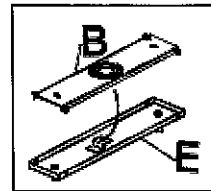


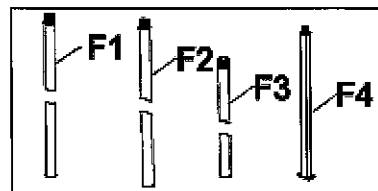
Fig.3



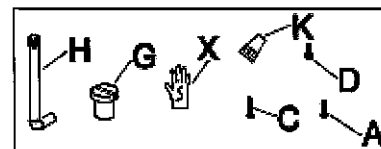
- a. Hardware Bag:**  
 B.Mounting Plate\*1  
 E.Canopy\*1



- b. Hardware Bag:**  
 F1.Rod 12"×2  
 F2.Rod 12"×4  
 F3.Rod 6"×2  
 F4.Square Rod 12"×2



- c. Hardware Bag:**  
 H.L-shape hook\*6  
 G.Screw\*6  
 X.Glove\*2  
 K.Wire Connector\*3  
 C.Screw\*2  
 D.Screw\*2  
 A.Plastic Anchor\*2

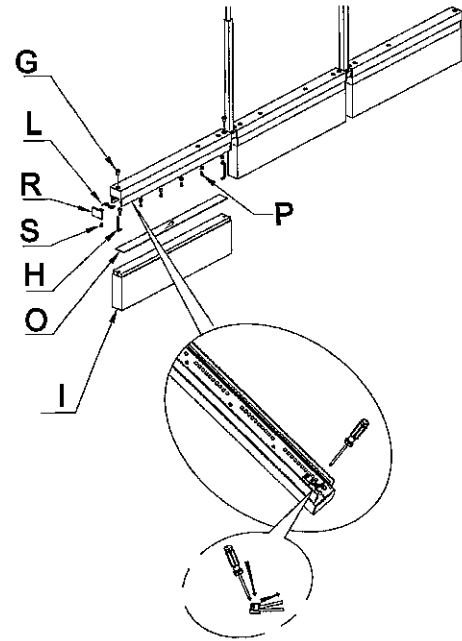


### Replacing LED module (Fig. 4)

The LED module can be replaced by a qualified electrician without cutting of wire and without damage to any decorative element to which the fixture is attached. See installation steps for more details (Fig.4.)

- a. Shut off power. Remove screws (G) and L-shape hooks (H) to disconnect shade PC1723 (I).
- b. Unscrew (S) to take out of cover (R) and bracket (L), remove the diffuser (O)
- c. Remove the wires from connector on LED module by lightly pressing on the release button located on the top of the wire connector.
- d. Carefully remove screws (P), washers to disconnect the LED module from the heat sink
- e. Reverse steps a-d for installing the new LED module.
- f. **Note:** The LED module should be provided by a specified supplier.
- g. For better heat dissipation the LED module should be applied with thermal grease when re-lamping.

Fig.4



**IMPORTANT:** Fixture should be installed by a qualified electrician to ensure proper wiring and installation.  
**Dimmable with ELV and/or LED compatible wall dimmer switches.**