

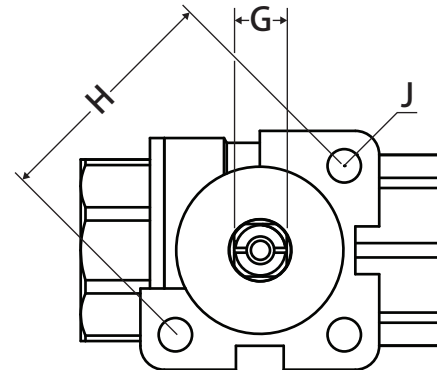
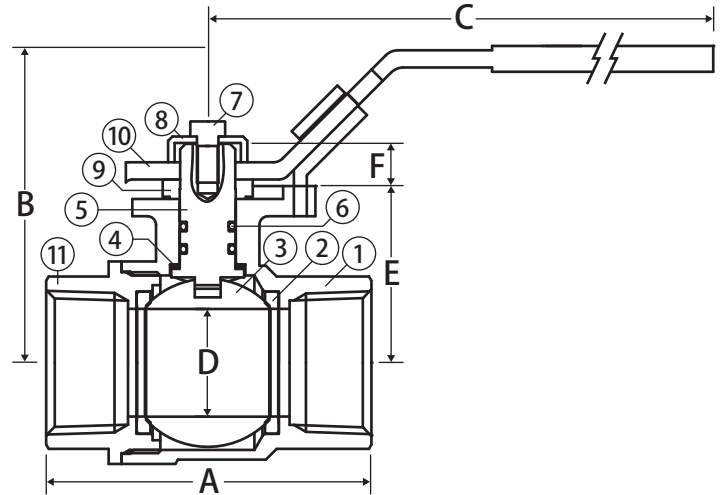
Direct Mount Ball Valve



2 Piece • Full Port • Threaded Connection • 600 WOG •
ISO Mounting Pad • Stainless Steel Ball and Stem



A101



Features

- Dezincification resistant alloy
- ISO 5211 direct mounting pad
- Square valve stem for direct mounting to any ISO actuator
- Blow out proof stem
- Latch lock may be locked in open or closed position
- 100% leak tested
- Wetted surface contains less than .25% lead content

Approvals

- NSF 61-8
- NSF 372
- MSS SP-110
- ANSI B1.20.1
- RoHS Compliant

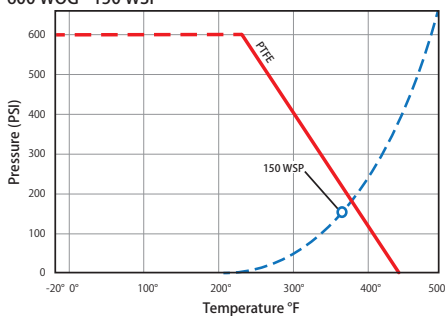


WARNING: This product can expose you to chemicals including lead, which is known to the State of California to cause cancer, and lead, which is known to the State of California to cause birth defects or other reproductive harm.

For more information go to www.P65Warnings.ca.gov.

Valve Seat Rating

600 WOG - 150 WSP



Material Specifications

No.	Part	Materials
1	Body	Lead Free Brass - C46500
2	Seat (2)	PTFE
3	Ball	304 Stainless Steel
4	Stem Seat	PTFE
5	Stem	304 Stainless Steel
6	O-ring (2)	Viton®
7	Screw	Nickel Plated Steel
8	Packing Nut	Nickel Plated Brass - C37700
9	Gasket	Nylon
10	Handle	Chrome Plated Steel
11	End Connection	Lead Free Brass

Dimensions

Part No.	Size	A	B	C	D	E	F	G	H	J	ISO	Torque
A101-12	1/2"	2.39	2.34	4.76	0.59	1.14	0.37	0.35	1.42	0.23	F03	16
A101-34	3/4"	2.57	2.48	4.76	0.75	1.28	0.37	0.35	1.42	0.23	F03	23
A101-1	1"	2.97	2.85	6.73	0.98	1.59	0.39	0.43	1.97	0.28	F05	36
A101-114	1-1/4"	3.44	3.15	6.73	1.26	1.82	0.39	0.43	1.97	0.28	F05	73
A101-112	1-1/2"	3.88	3.64	6.73	1.57	2.32	0.43	0.43	1.97	0.28	F05	76
A101-2	2"	4.29	3.94	6.73	1.94	2.62	0.43	0.43	1.97	0.28	F05	130

Note: Torque is in (in-lb)