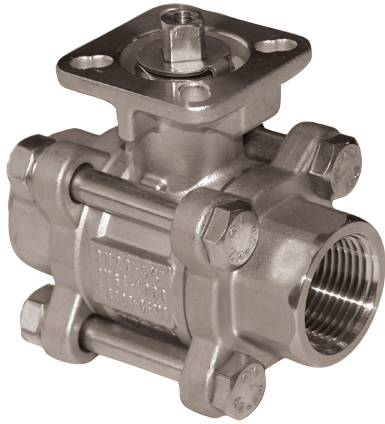


Direct Mount Ball Valve



3 Piece 4 Bolt • Full Port • Threaded Connection • 1000 WOG • with ISO Mounting Pad



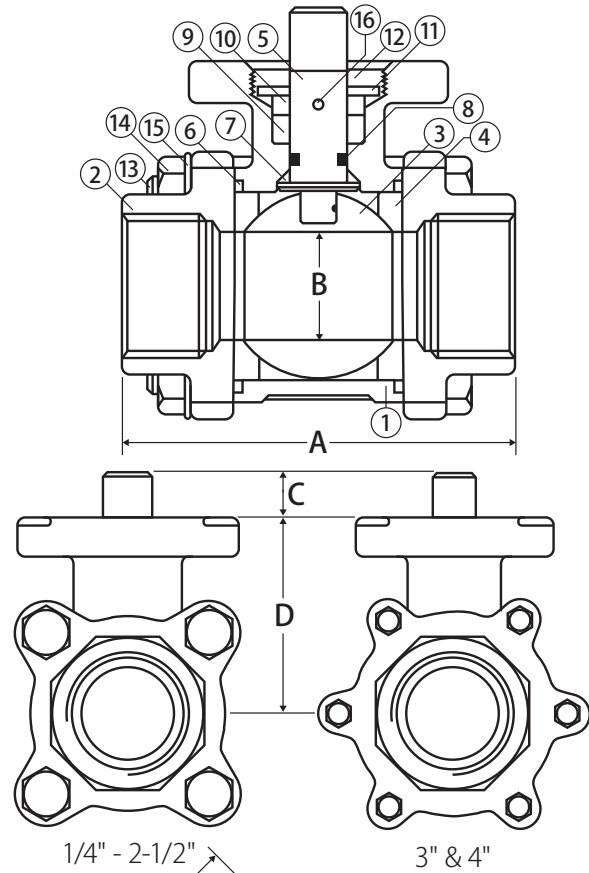
A1000

Features

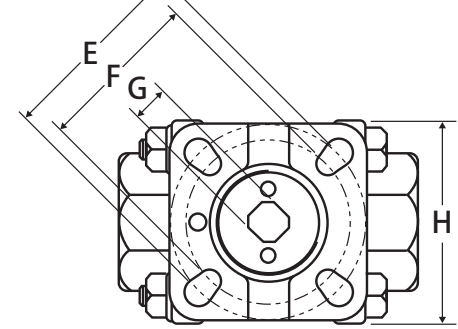
- Blow out proof stem
- Adjustable stem packing
- ISO 5211 mounting pad
- 3-piece swing out body
- Wetted surface contains less than .25% lead content
- Spring return handle available

Approvals

- MSS SP-110
- ANSI B1.20.1



1/4" - 2-1/2" 3" & 4"

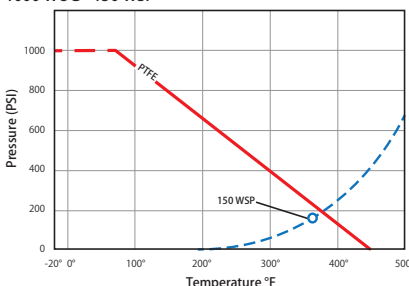


Material Specifications

No.	Part	Materials
1	Body	CF8M Stainless Steel
2	End Cap (2)	CF8M Stainless Steel
3	Ball	CF8M Stainless Steel
4	Seat (2)	PTFE
5	Stem	316 Stainless Steel
6	Body Seal (2)	PTFE
7	Stem Seal	PTFE
8	Stem O-Ring	Viton®
9	Packing (2)	PTFE
10	Packing Ring	304 Stainless Steel
11	Belleville washer (2)	301 Stainless Steel
12	Packing Plate	304 Stainless Steel
13	Body Bolt (4 or 6)	304 Stainless Steel
14	Body Nut (4 or 6)	304 Stainless Steel
15	Lock Washer (8 or 12)	304 Stainless Steel
16	Anti-Static Device (2)	316 Stainless Steel

Valve Seat Rating

1000 WOG - 150 WSP



WARNING: This product can expose you to chemicals including diisononyl phthalate (DINP), which is known to the State of California to cause cancer, and diisononyl phthalate (DINP), which is known to the State of California to cause birth defects or other reproductive harm. For more information go to www.P65Warnings.ca.gov.

Dimensions

Part No.	Size	A	B	C	D	E	F	G	H	Torque	ISO
A1000-14	1/4"	2.56	0.39	0.28	1.65	1.65	1.41	0.35	1.83	40	F03/4
A1000-38	3/8"	2.56	0.39	0.28	1.65	1.65	1.41	0.35	1.83	40	F03/4
A1000-12	1/2"	2.96	0.63	0.35	1.57	1.65	1.41	0.35	1.65	40	F03/4
A1000-34	3/4"	3.15	0.88	0.35	1.73	1.65	1.41	0.35	1.65	60	F03/4
A1000-1	1"	3.55	1.13	0.43	2.04	1.97	1.65	0.43	1.97	70	F04/5
A1000-114	1-1/4"	4.33	1.38	0.43	2.28	1.97	1.65	0.43	1.97	110	F04/5
A1000-112	1-1/2"	4.75	1.63	0.55	2.67	2.75	1.97	0.55	2.75	170	F05/7
A1000-2	2"	5.52	1.97	0.55	3.00	2.75	1.97	0.55	2.75	250	F05/7
A1000-212	2-1/2"	7.29	2.55	0.70	3.86	4.01	2.75	0.67	4.01	650	F07/10
A1000-3	3"	8.00	3.00	0.70	4.33	4.01	2.75	0.67	4.01	850	F07/10
A1000-4	4"	9.50	3.93	0.94	4.96	4.92	4.01	0.86	4.92	950	F10/12

Note: Torque is in (in-lb)