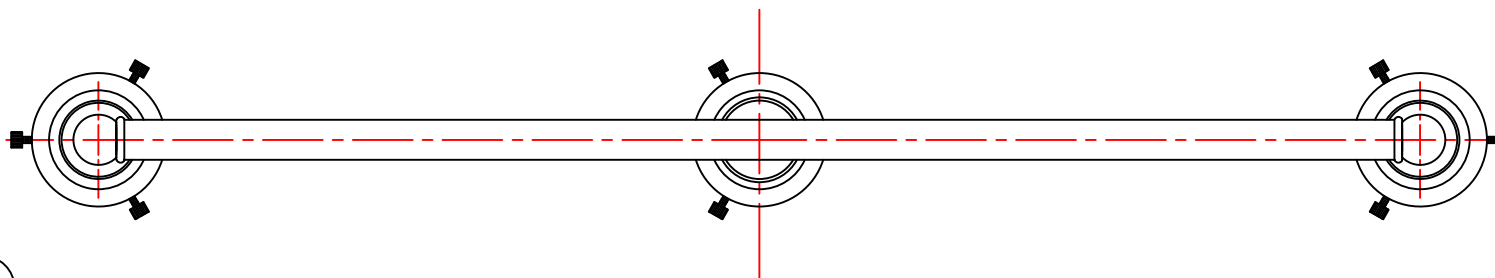
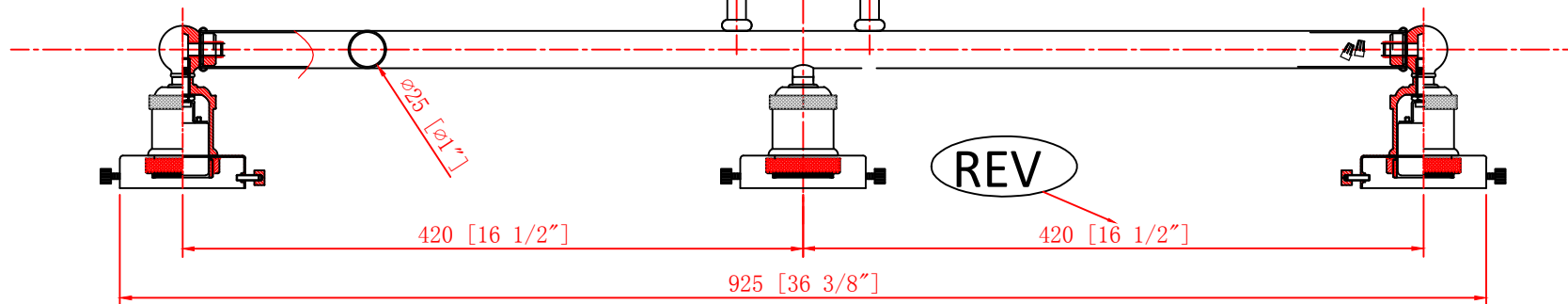


REV 1  
20191015



INNOVATIONS LIGHTING  
DESIGN COPYRIGHT - 09/27/2019  
ALL RIGHTS RESERVED AND MAY  
NOT BE DUPLICATED WITHOUT OUR  
WRITTEN PERMISSION

ITEM: 616-3I