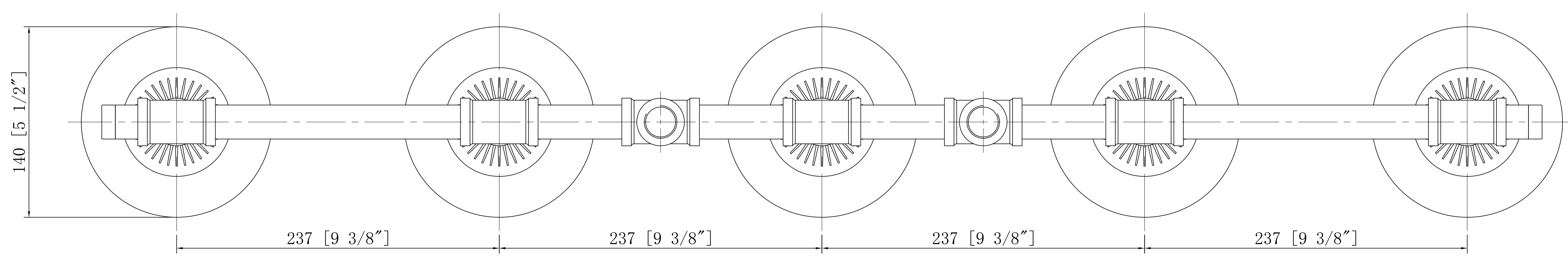
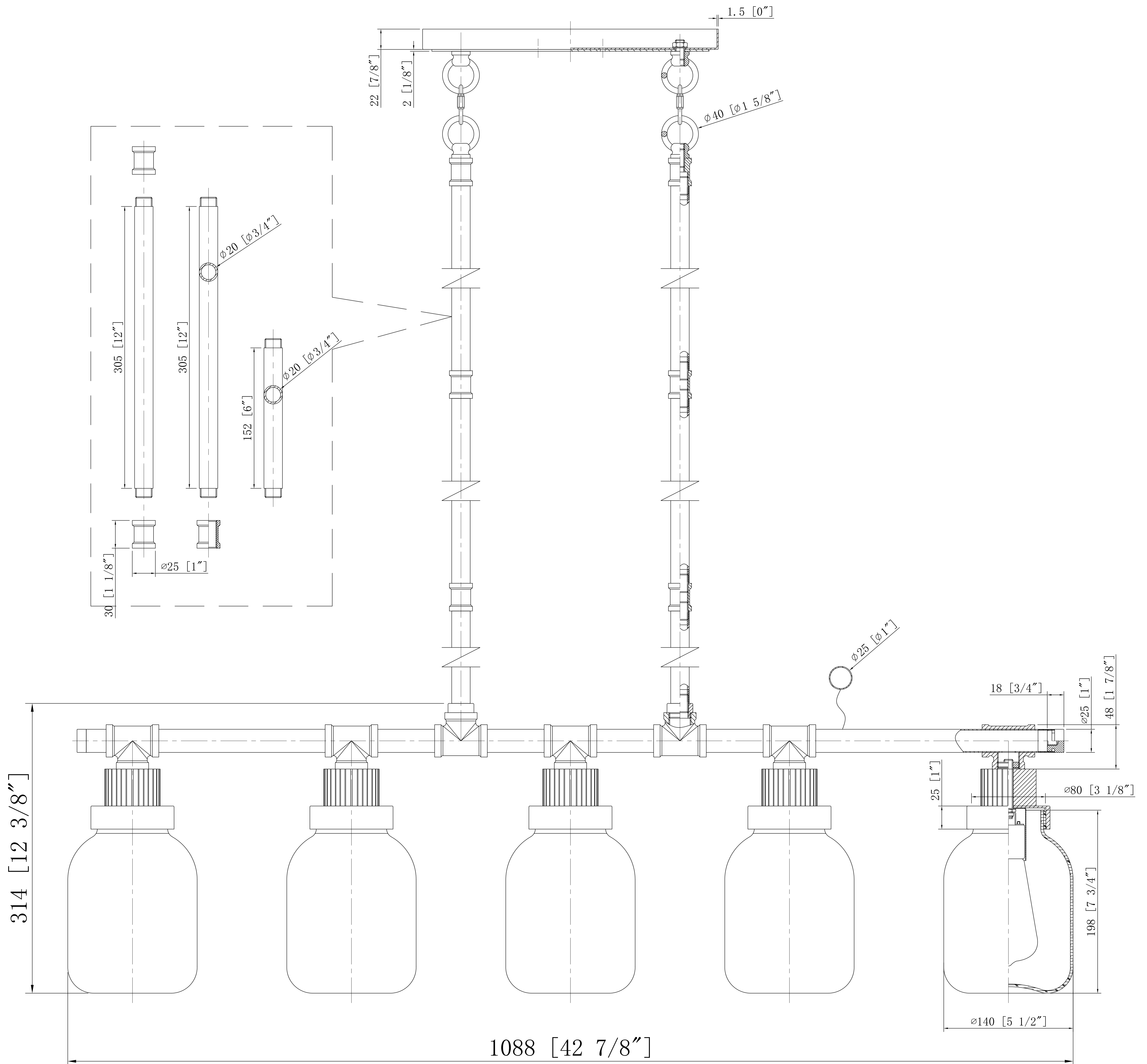
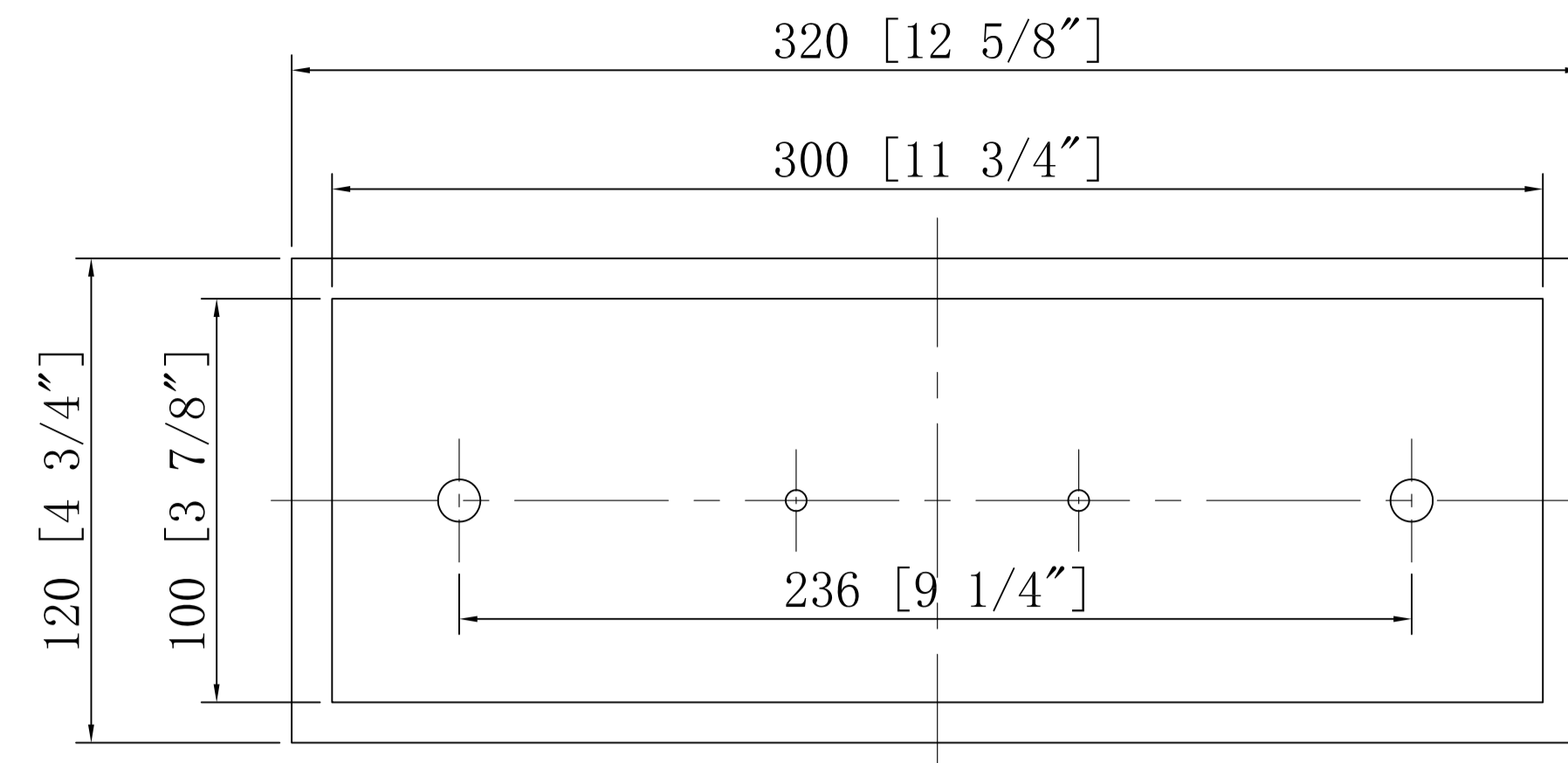


DESIGN COPYRIGHT – 12/21/2022

ALL RIGHTS RESERVED AND MAY NOT BE DUPLICATED WITHOUT OUR WRITTEN PERMISSION



ITEM: 472-5I-6