
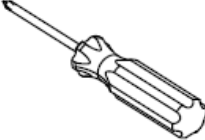

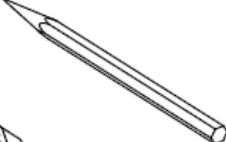

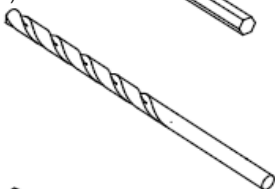

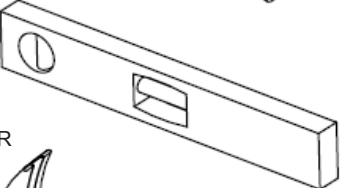

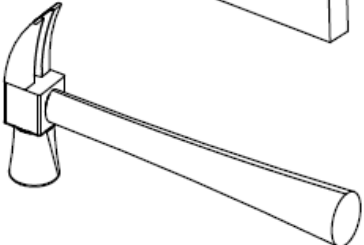

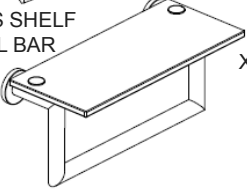


ITEMS INCLUDED	TOOLS REQUIRED
DRY WALL ANCHOR  X 4	PHILLIPS SCREW DRIVER 
TILE ANCHOR  X 4	PEN / PENCIL 
#8 SCREW  X 4	1/4" (6 mm) DRILL 
MOUNTING BRACKET  X 2	LEVEL SET 
M6X1 SET SCREW  X 2	HAMMER 
3MM HEX KEY  X 1	
GLASS SHELF TOWEL BAR  X 1	

KUBIC

INSTALLATION INSTRUCTIONS

4619T-12 4619T-24

GLASS SHELF TOWEL BAR

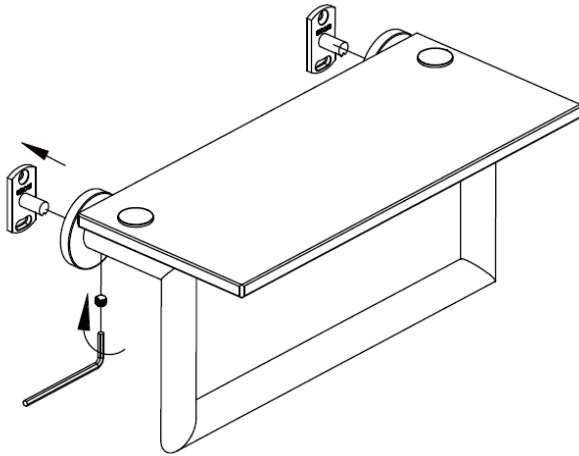
GINGER
Luxury For Your Lifestyle™

2001 CARNEGIE AVE, SANTA ANA CA 92705

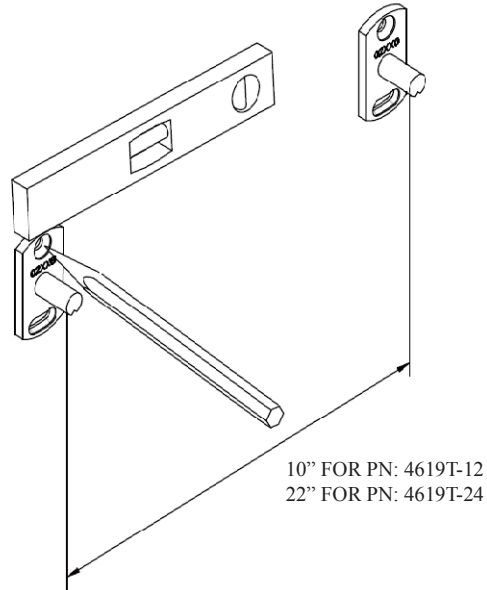
(949) 417-5207

WWW.GINGERCO.COM

① REMOVE MOUNTING BRACKETS



② ALIGN MOUNTING BRACKETS AND MARK LOCATION



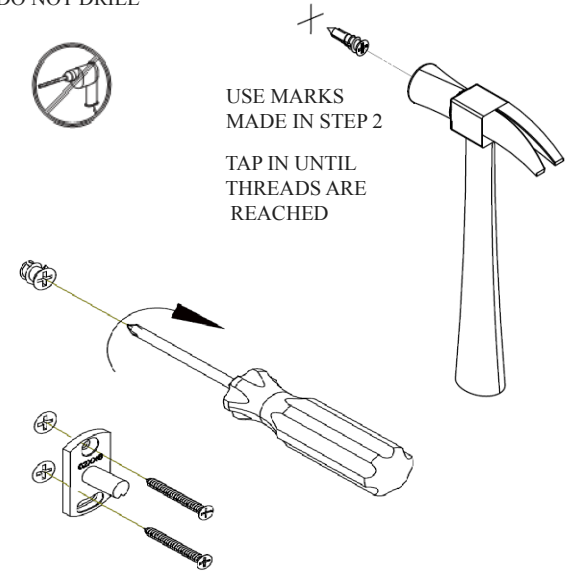
③ DRY WALL INSTALLATION

DO NOT DRILL



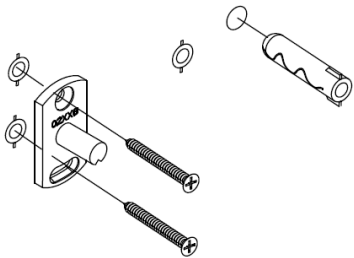
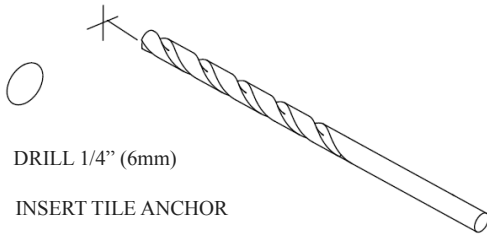
USE MARKS
MADE IN STEP 2

TAP IN UNTIL
THREADS ARE
REACHED



④ TILE OR SOLID WALL INSTALLATION

USE MARKS MADE IN STEP 2



⑤ INSTALL PRODUCT ONTO BRACKETS

