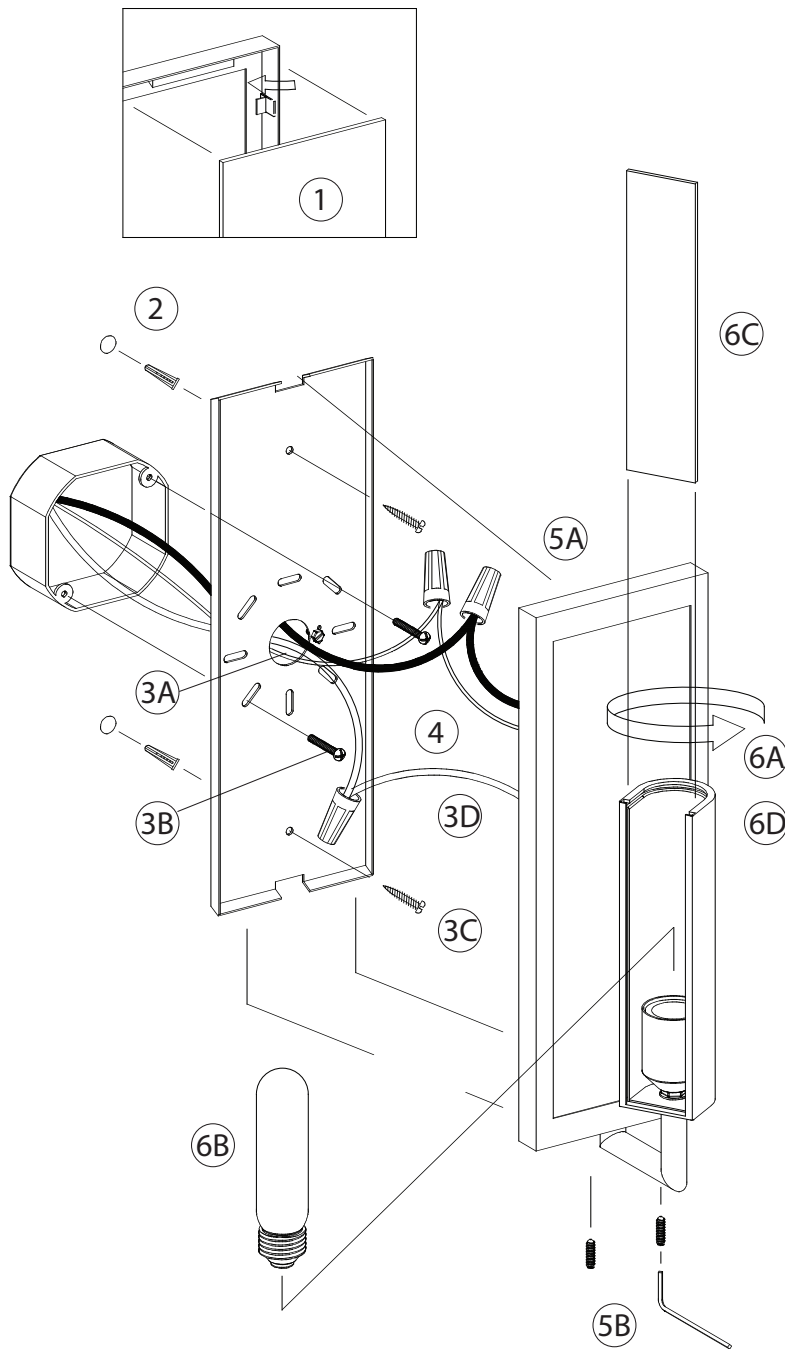


Assembly Instructions For

WB1451 (E) 5/09



IMPORTANT
TURN OFF THE POWER AT THE MAIN FUSE OR
CIRCUIT BREAKER BOX
BEFORE STARTING INSTALLATION

Carefully unpack and identify all parts before assembly. Bulbs not included.

1. Install large glass plate:
 Install large glass panel onto rear of fixture frame by bending tabs.
2. Install anchor (included):
 A. Hold mounting plate up against the wall aligning the two holes in the wall outlet box with appropriate slots in the mounting plate. Then while the mounting plate is leveled vertically, use a pen or pencil to make a mark on the wall at holes located near each end of mounting plate.
 B. Remove the mounting plate and set aside.
 C. Drill marked spots. If drywall or masonry wall then use 1/4" (7 mm) drill bit; if wood wall then use 1/8" (4 mm) drill bit.
 D. Drywall or masonry wall only: Insert plastic anchor into pre-drilled holes.
3. Install mounting plate:
 A. Take supply wires from outlet box and carefully pass them through center hole of mounting plate. Note: the flat surface of mounting plate must face the wall and the angled rim side facing toward you.
 B. Install mounting plate to outlet box using two screws supplied with the outlet box.
 C. Secure mounting plate onto pre-drilled holes using sheet metal screws (included).
 D. Then Spread electrical wires so that black wires are on one side of the outlet box and the white wires are on the other side.
4. Connect electrical wires:
 A. Connect white fixture wire(s) to white supply wire from outlet box with wire connector. Connect black fixture wire(s) to black supply wire from outlet box with wire connector.
 NOTE: Black outlet box wire may be red, round and smooth and/or have copper conductor. White outlet box wire may be square and ridged and/or have a silver conductor.
 B. Connect fixture ground wire (without plastic insulation) to ground wire from outlet box (usually with green insulation) with wire connector.
 Note: If there is no supply ground wire at outlet box then attach fixture ground wire securely onto green grounding screw located at mounting plate.
 IMPORTANT: Never connect ground wire to black or white supply wires (from outlet box).
5. Install fixture:
 A. Hook top of fixture frame onto top edge of mounting plate.
 B. Then secure fixture frame onto bottom of mounting plate by fastening set screws. Use provided hex key to tighten.
6. Install bulb:
 A. Rotate housing until inside socket is exposed.
 B. Install type T-10 of medium base light bulb (not included).
 IMPORTANT: See relamping label at socket area for maximum allowed wattage.
 C. Install small glass plate by sliding inside of housing.
 D. Rotate housing to desired position. Note: You have the option to either direct or indirect light by turning the housing accordingly.



MURRAY
FEISS
 Generation Brands™

Warning: Shade becomes HOT. Do not rotate shade while fixture is lit. Turn off and allow shade to cool before rotating into desired position.