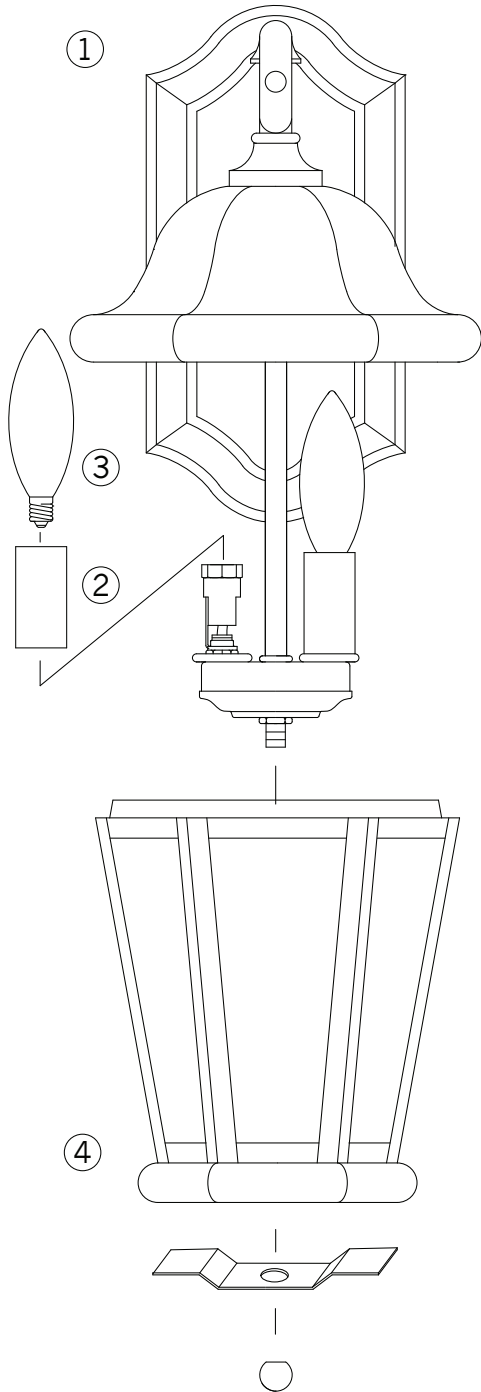


Assembly Instructions For **OL5901, OL5902, OL5904** (E) 12/11



IMPORTANT TURN OFF THE POWER AT THE MAIN FUSE OR CIRCUIT BREAKER BOX BEFORE STARTING INSTALLATION

Carefully unpack and identify all parts before assembly. Bulbs not included.

1. Follow enclosed "Standard Outdoor Mounting Plate Installation Instructions" for electrical and fixture installation onto wall outlet box.
2. Slip candle cover tube onto sockets.
3. Install light bulb (not included). See relamping label at socket area for type and maximum allowed wattage.
4. Slide main frame up until it checks inside of top cover. Then slide bridge through threaded pipe until it checks inside of main frame. Lock them into position with ball cap nut.