

IMPORTANT SAFETY INSTRUCTIONS

- Be sure the electricity to the system you are working on is turned off; either the fuse removed or the circuit breaker set at off.
- Use of other manufacturers components will void warranty, listing and create a potential safety hazard.
- If you are unclear as to how to proceed, contact a qualified electrician.
- You don't need special tools to install this fixture.
- Be sure to follow the steps in the order given.
- Under no circumstances should a fixture be hung on house electrical wires, nor should a swag type fixture be installed on a ceiling which contains a radiant type heating system.
- Proper wiring is essential for the safe operation of this fixture.
- Read instructions carefully.
- Save these instructions.

WARNING: FOR FIXTURES PROVIDED WITH 75° C OR 90° C SUPPLY WIRE WARNING ONLY (THESE WARNINGS ARE PROVIDED ON THE U.L. LABEL AND ON THE FIXTURE CARTON).

WARNING: RISK OF FIRE. MOST DWELLINGS BUILT BEFORE 1985 HAVE SUPPLY WIRE RATED 60° C. CONSULT A QUALIFIED ELECTRICIAN BEFORE INSTALLING.

**DEAR VALUED CUSTOMER
PLEASE HANDLE ACRYLIC DIFFUSER WITH CARE WHEN INSERTING INTO HOUSING TO PREVENT BREAKAGE.**

CLEANING

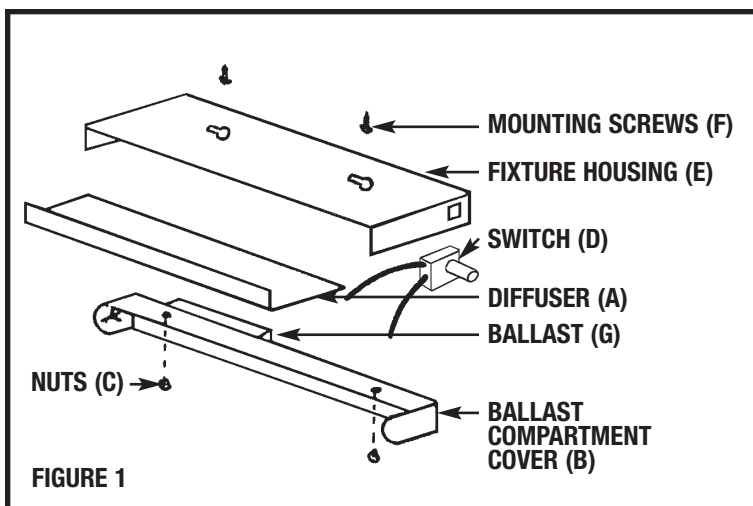
To clean, wipe fixture with a soft cloth. Clean glass with a mild soap. Do not use abrasive materials such as scouring pads or powders, steel wool or abrasive paper.

ORDERING PARTS

Keep this sheet for future reference, and in case you need to order replacement parts. Parts for this fixture can be ordered from place of purchase. Be sure to use exact wording from illustration when ordering parts.

BEFORE YOU BEGIN

Carefully remove the fixture from the carton and check that all parts are included, as shown in figure 1. Be careful not to misplace any of the screws or parts which are needed to install this fixture.



INSTALLATION

IF SUPPLY WIRES ARE LOCATED WITHIN 3" OF BALLAST, USE WIRE RATED FOR AT LEAST 90°C.

STEP 1:

Remove diffuser (A). Remove ballast compartment cover (B) by taking off the (2) nuts (C) at each end of the fixture.

STEP 2:

Knock out hole for power supply in fixture housing (E). In the knocked-out hole insert a "Romex Type" connector or a "BX type" connector (not supplied) which-ever is applicable. Feed supply wires through it and secure the wires in place.

STEP 3:

Mount fixture housing in desired location using mounting screws (F). **NOTE:** Before mounting fixture, make certain starters, if supplied, are locked in place by firmly turning clockwise into place until you hear a click.

NOTE: After assembling fixture, if the bulb blinks but will not come on, please follow these instructions:

1. Remove starter from starter block.
2. Rotate starter 180° so that the posts on the starter are on the opposite side.
3. Reinsert starter into starter block until you hear a click.

STEP 4:

- A. Attach the black switch (D) wire to the black supply wire.
- B. If wiring with optional switch consult optional switch wiring instructions.
- C. If wiring with optional G.C.O. consult optional G.C.O. wiring instructions.

STEP 5:

Attach white wire from fixture, to the white supply wire using a wire connector (not supplied).

STEP 6:

GROUNDING INSTRUCTIONS: Connect the ground wire from the fixture (if supplied) and the ground wire from the supply wires using a small wire connector (not supplied). **NEVER CONNECT GROUND WIRE TO BLACK OR WHITE POWER SUPPLY WIRES.**

FINAL INSTALLATION

STEP 1:

After wires are connected, replace ballast compartment cover (B). Secure with nuts (C).

STEP 2:

Install lamp.

STEP 2:

Snap in diffuser (A).