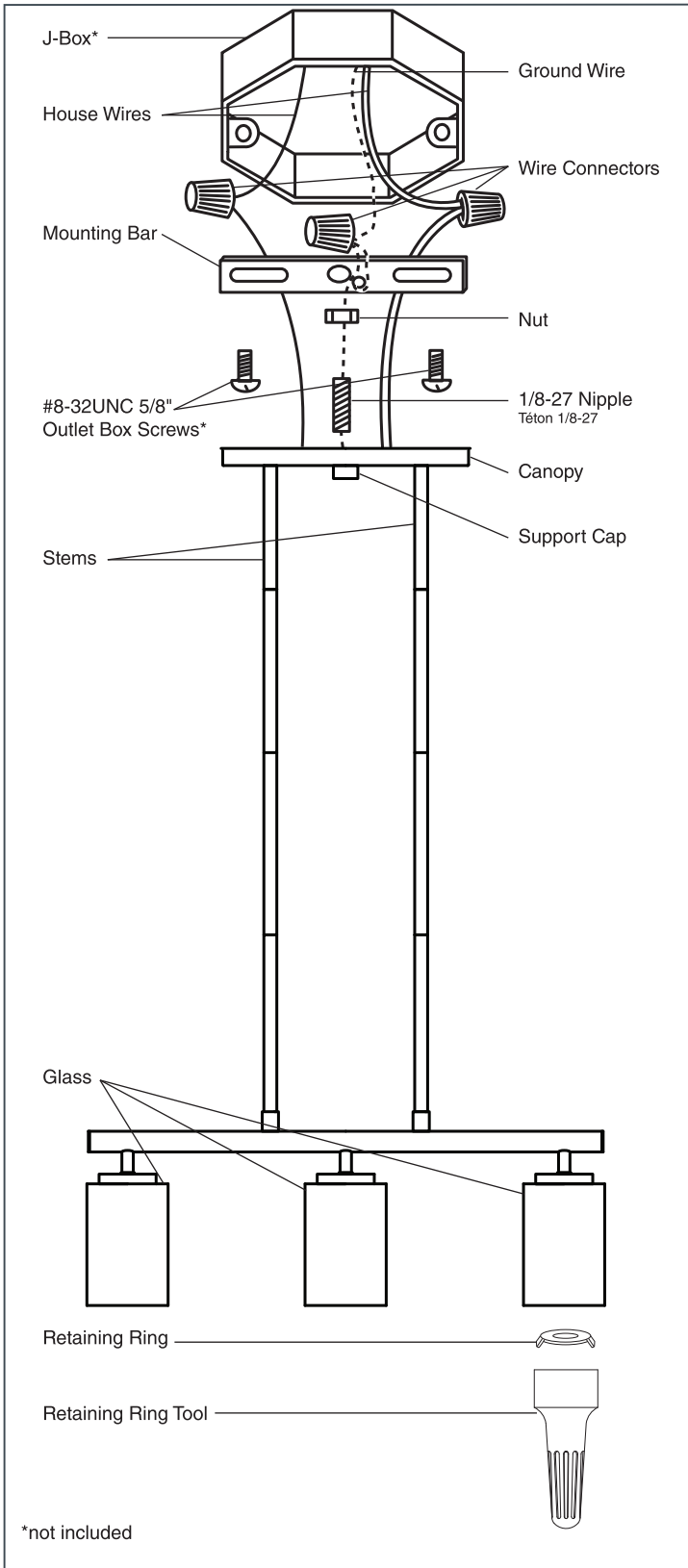


Pendant

1.0

GENERATION LIGHTING CEILING

SAVE THESE INSTRUCTIONS!



CAUTION - RISK OF FIRE

This product must be installed in accordance with the applicable installation code by a person familiar with the construction and operation of the product and the hazards involved.

Use minimum 90°C supply conductors.

Before You Begin

Carefully remove the fixture from the carton and check that all parts are included, as shown in figure 1. Be careful not to misplace any of the screws or parts which are needed to install this fixture.

Installation

Important: do not attach fixture directly to outlet box.

1. Secure mounting bar to outlet box with #8-32UNC 5/8" outlet box screws (not supplied). Thread 1/8-27 nipple into mounting bar so five threads are exposed and secure with nut. Attach swivel joint to 1/8-27 nipple.
2. Carefully bring the fixture wires through the desired amount of stems. Thread stems together and thread to base of fixture.
3. Slide the canopy ring and canopy, in that order, over stems. Feed fixture wires through swivel joint and 1/8-27 nipple. Thread stem to swivel joint.
4. A. Use one of the supplied orange wirenuts to connect the fixture hot wire (black wire, or round and smooth tracer) to the supply hot wire.
B. Use one of the supplied orange wirenuts to connect the fixture common wire (white wire, or square and rigid) to the supply common wire.
C. Gently try to remove the wires from the connector. If you can remove the wires, carefully re-do the wiring connection.
5. **Grounding Instructions:** Connect the supply ground wire (green or bare conductor) and fixture ground wire (green or bare conductor) using the remaining orange wire nut. Gently pull on the ground wires to confirm a secure connection. If either conductor is loose remove the wire nut and reconnect the wires.

Final Assembly

Make sure no bare wires can be seen outside wire connectors.

1. After wires are connected, tuck them carefully inside outlet box and then raise the canopy against ceiling and thread the canopy ring to the swivel joint.
2. Secure glass to sockets using retaining rings.
3. Install lamps (not supplied).
4. Raise decorative cup to fixture and secure by threading finial to fixture.

GENERATION LIGHTING
7400 Linder Ave., Skokie, IL 60077
T 847.410.4400 | F 847.410.4500
www.generationlighting.com