



# GERBER

VITREOUS CHINA  
TOILET  
**25-878**

LAVATORIES

TOILETS

BIDETS / URINALS

CAST IRON



## COMMERCIAL North Point™ Elongated ErgoHeight™ 1.28/1.6 Back Outlet Spud

### Features:

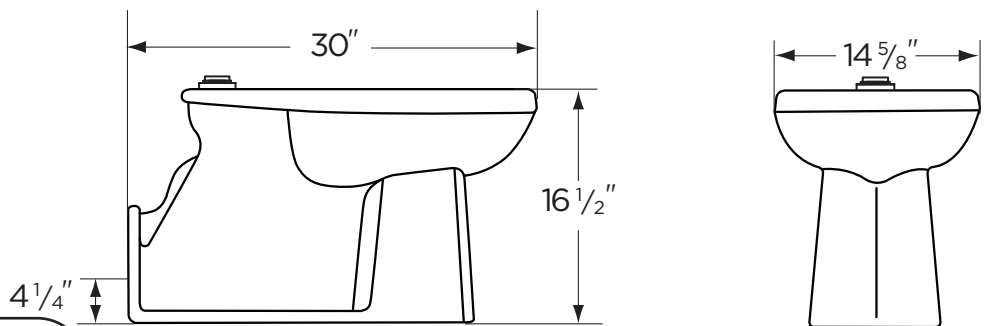
- 1.28/1.6 gpf (4.8/60) Lpf floor mount back outlet bowl
- High Efficiency Urinal when used with the appropriate flush valve
- Elongated ErgoHeight™ bowl
- 4 1/4" vertical rough-in
- Top Spud
- Siphon Jet
- 1 1/2" spud for flushometer valve
- ADA Compliant
- 2 Bolt Caps

### Dimensions:

Height.....	16 1/2"
Width.....	14 5/8"
Depth.....	30"
Rough-in(vertical) .....	4 1/4"
Water Surface from Rim ...	4 5/8"
Trapway.....	2"
Water Surface .....	13 3/8" x 10"
Water Seal.....	2 1/4"
Shipping Weight .....	58.5 lbs



Seat not included



THIS FIXTURE QUALIFIES ACCORDING TO ASME TEST PROCEDURES AS A HIGH-EFFICIENCY WATER CLOSET WITH AN AVERAGE CONSUMPTION OF 1.28 gpf (4.8 Lpf) OR LESS.

[www.gerberonline.com](http://www.gerberonline.com)



HIGH-EFFICIENCY TOILETS  
**HET**

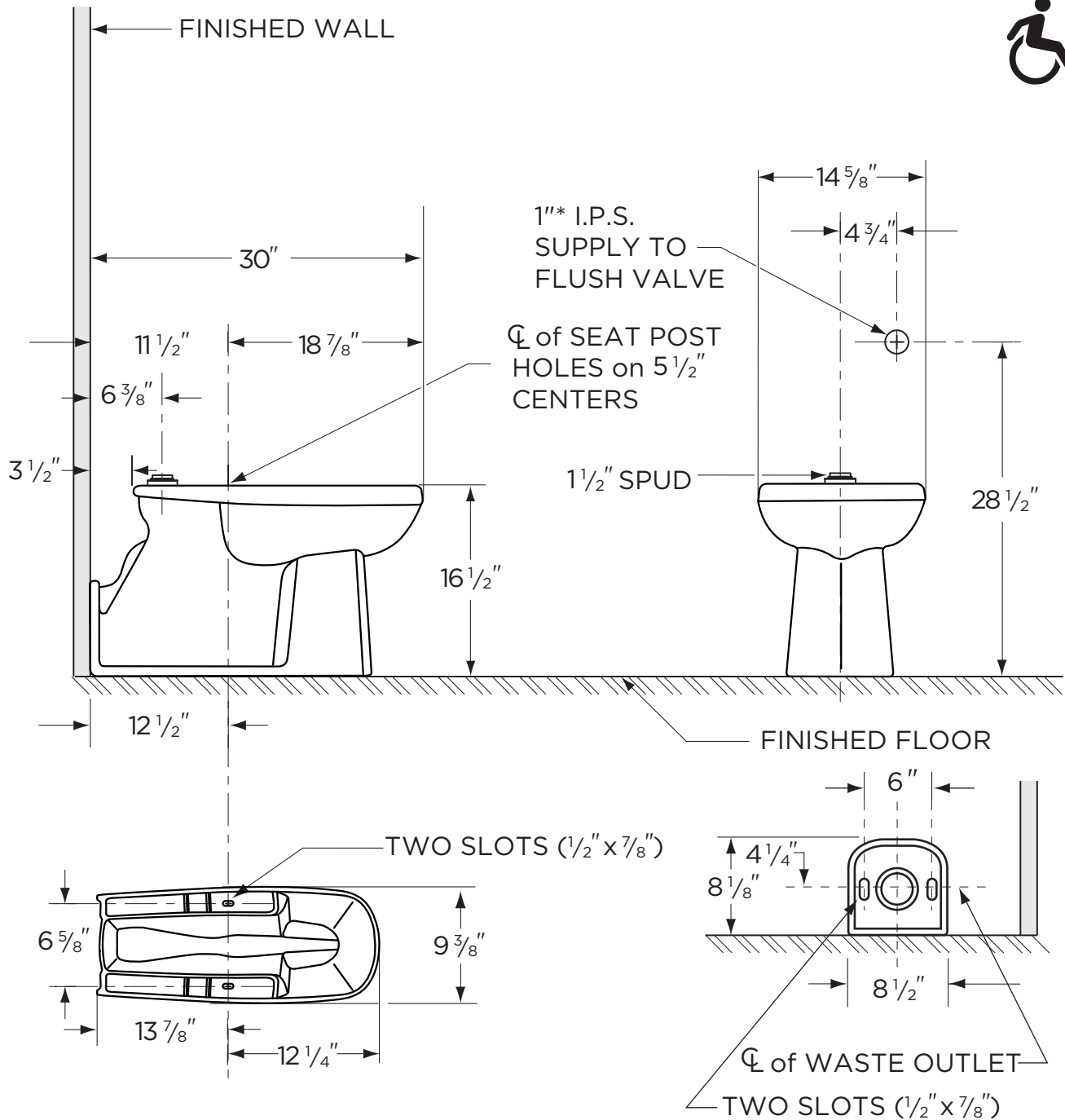


# GERBER

North Point™ 1.28/1.6 gpf (4.8/6.0 Lpf)

25-878

Elongated ErgoHeight™ Back Outlet Spud Bowl  
4 1/4" Vertical Rough-in



**NOTES:**  
All dimensions are in inches.  
Illustrations may not be drawn to scale.

**IMPORTANT:**  
Dimensions of fixtures are nominal and may vary within the range of tolerances established by ASME Standard A 112.19.2.  
THIS FIXTURE QUALIFIES ACCORDING TO ASME TEST PROCEDURES AS A HIGH-EFFICIENCY WATER CLOSET WITH AN AVERAGE CONSUMPTION OF 1.28 gpf (4.8Lpf) OR LESS.