

Specifications

- Heavy brass construction for durability and reliability
- 12" long shower tube
- 1/2" NPT thread connection to water supply
- Adjustable escutcheon to accommodate a deep installation
- Available round or square escutcheon

Finish

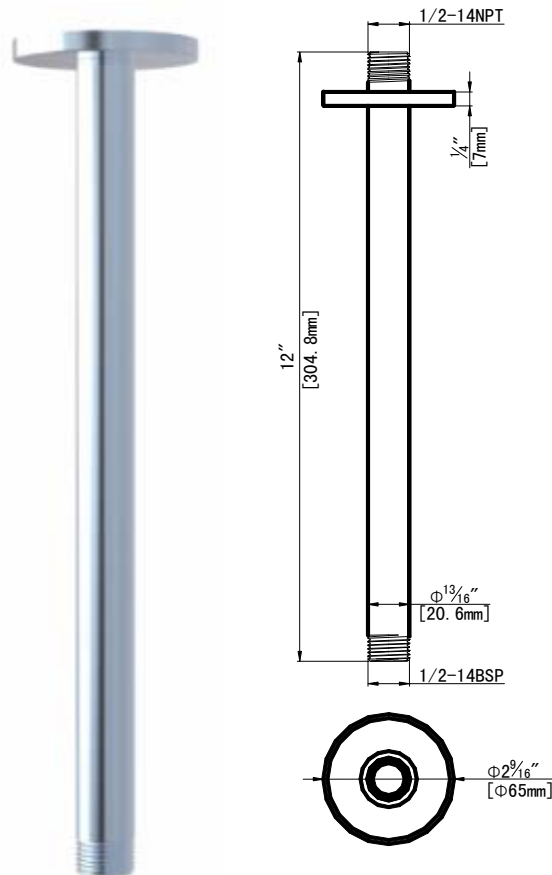
- CP (Polished Chrome)
- PVD-BN (PVD Brushed Nickel)

Warranty

- Limited Lifetime Faucet Warranty against material and manufacturing defects for residential use.
- 1 Year Limited Warranty on all industrial, commercial and business applications.

fluid 12" Ceiling Shower Arm

Model: FP6019008



Model: FP6021008

