

Limited Lifetime Faucet Warranty

Fluid™ warrants its faucets to be free from defects in material and workmanship for as long as the original consumer/purchaser/owner owns his or her home.* Plastic and rubber components are warranted for a period of two years. This warranty applies only to original installation locations. If a defect is found in normal residential use, Fluid™ will, at its election, repair, provide a replacement part or product, or make the appropriate adjustment.

Fluid™ reserves the right to examine the product in question and its installation prior to replacement. This warranty is limited to replacement of defective parts only. Damage to a product caused by accident, improper installation, misuse or abuse, improper care of finishes, hard water or mineral deposits, potassium or salt based water softener systems or exposure to corrosive materials is not covered by this warranty. Improper care and cleaning will void the warranty.** Replacement parts can be obtained from your local dealer or directly from the Fluid™ warehouse, (shipping charges may apply). Dated proof of purchase must accompany all warranty claims. This warranty applies only to Fluid™ faucets installed in the United States of America, Canada or Mexico (North America). Fluid™ recommends using a certified plumber for faucet installation and repair. Incidental and consequential damages, labor charges, repair or replacement costs are expressly excluded. In no event shall the liability of Fluid™ exceed the purchase price of the faucet. Some states and provinces do not allow the exclusion or limitation of incidental or consequential damages, so the above limitation may not apply to you. This warranty gives you specific legal rights which vary from state/province to state/province. If you find any such problem with your product, please immediately contact your nearest Fluid™ dealer or sales representative.

Need Help?

For additional assistance
Toll Free: 1 800 460 7019
Fax: 1 604 430 5050
help@sustainablesolutions.com
www.sustainablesolutions.com

* Two year warranty on commercial applications.

** Never use cleaners containing abrasive cleansers, ammonia, bleach, acids, waxes, alcohol, solvents or other products not recommended for surface finishes. This will void the warranty.

This product meets or exceeds the following standards:

ASME A112.18.1 / CSA B125.1

This product has been tested and certified by IAPMO.



IAPMO LISTED

**Sustainable
Solutions**

Sustainable Solutions
Phone: 1 800 460 7019
www.SustainableSolutions.com

Pressure Balancing Valve Set w/ 3 Way Diverter / VOI/2019

fluid |

Sustainable Solutions

Installation Instructions for Pressure Balancing Valve Set w/ 3-Way Diverter F1003B

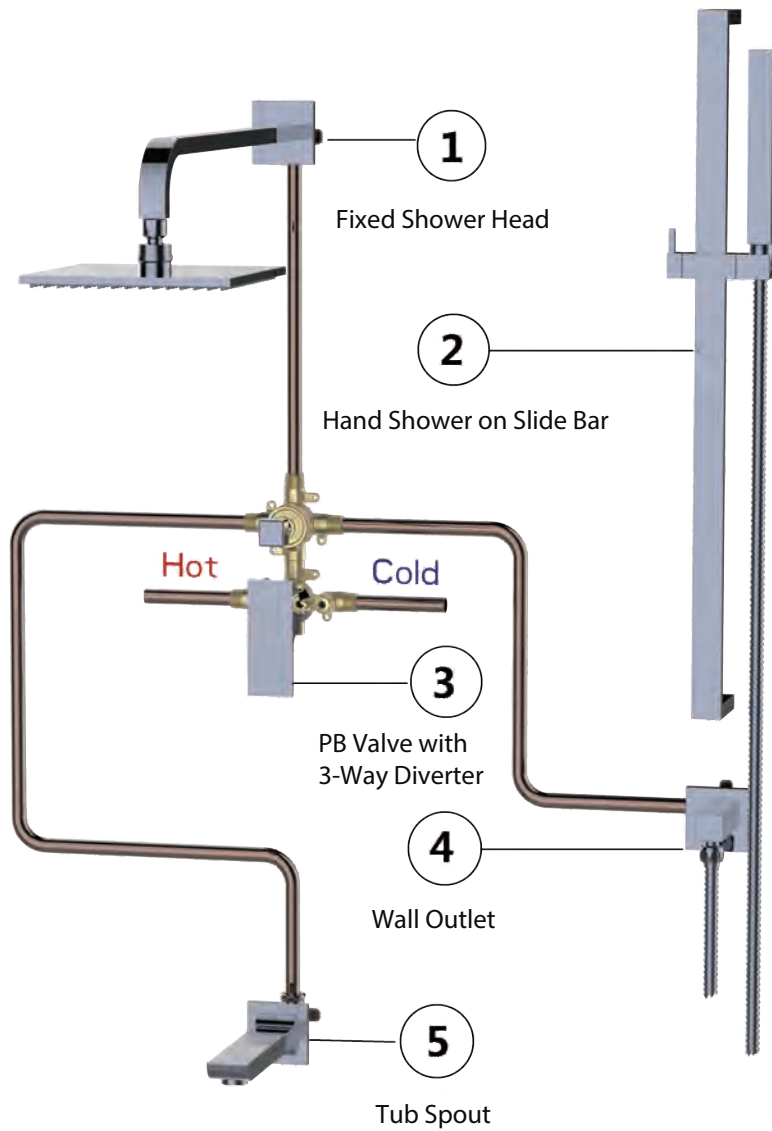


Do not complete and cover over rough in installation until valve and diverter (if any) have been fully water tested for any leaks.

Please Keep This Manual For Future Reference

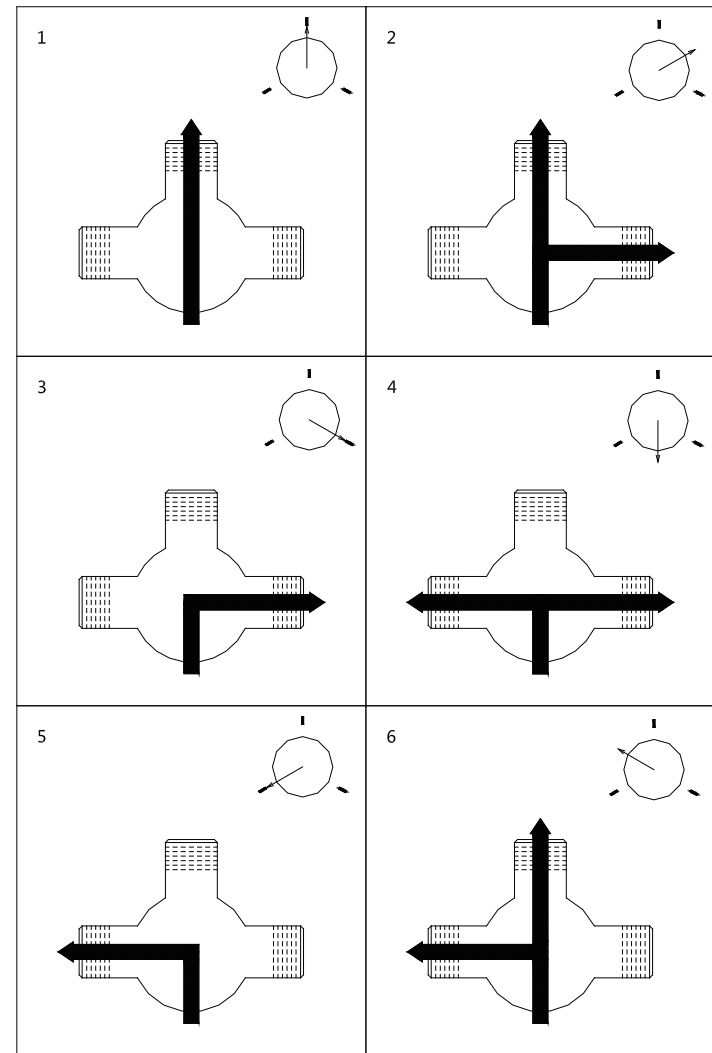
Recommended Installation Layout for F1003B Pressure Balancing Valve with 3-Way Diverter

Tub and Handheld Shower on Slide Bar

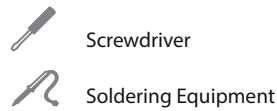
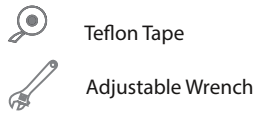


Water Flow For 3 Way Diverter Valve

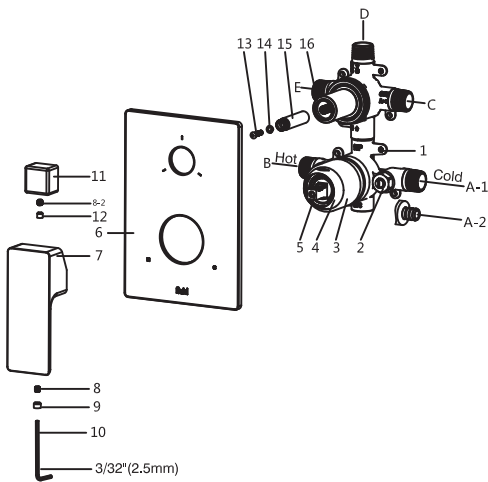
— Open



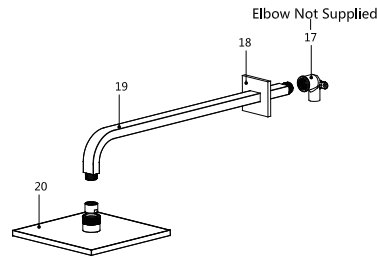
Tools Required for Installation



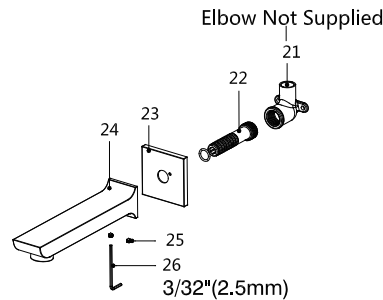
1. Cover and Handle



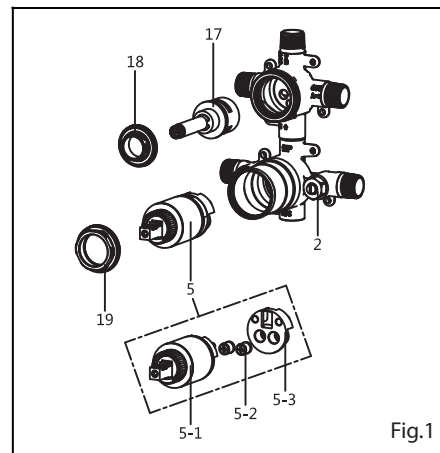
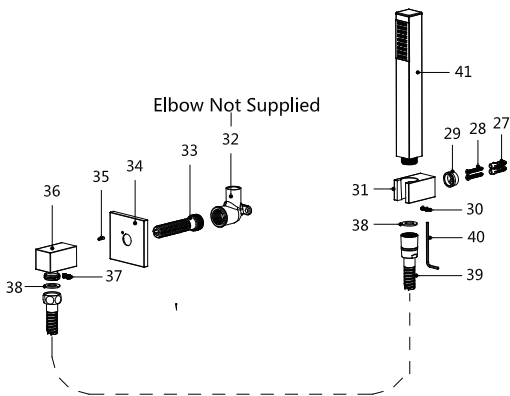
2. Fixed Showerhead



3. Tub Spout



4. Hand Shower



Trim Installation Instructions

Use the Recommended Installation Layout to plan your trim installation.

- For Cover and Handle Installation
 - Remove mud guard from the valve body.
 - Screw sleeve tubes (#3 and #16) onto the valve body.
 - Slide cover plate (#6) over two sleeve tubes(#3 and #16).
 - Apply a small bead of silicone onto four corners of the backside of the square cover plate (#6) OR peel the white tape off seal gasket on the backside of the round or the soft square cover plate.
 - Gently press cover plate (#6) against the finished wall.
 - Install handle (#7) onto the pressure balancing cartridge stem (#5). Secure handle (#7) by tightening set screw (#8) by using the supplied Allen Wrench(#10). Cover the hole with the supplied Silicon plug (#9).
 - To position diverter handle (#11) at the desired upward position, loosen screw (#13), rotate spindle adapter (#15) and at the same time rotate diverter handle (#11) until the desired position is achieved.
 - Secure the spindle adapter (#15) with screw (#13) and diverter handle (#11) with set screw (#8-2) by using Allen wrench (#10). Push in silicon plug (#9-2).
- For Fixed Showerhead Installation
 - Make sure 1/2" threaded elbow (#17) is installed securely inside the wall.
 - Slide flange (#18) over shower arm (#19).
 - Apply Teflon tape onto threads, and screw shower arm (#19) into 1/2" threaded elbow (#17) inside the wall.
 - Apply Teflon tape onto threads and thread shower head (#20) onto shower arm (#19).
- For Tub Spout Installation
 - Make sure 1/2" threaded elbow (#21) is installed securely inside the wall.
 - Thread "Quick Connector" (#22) into threaded elbow (#21). NOTE: For "Quick Connector" (#22) installation details, refer to the enclosed General

- Instructions for "Quick Connector".
- Slide escutcheon (#23) and tub spout (#24) over "Quick Connector" (#22) all the way against the finished wall.
 - Secure tub spout (#24) with two set screws (#25) by using 3/32"(2.5mm) Allen wrench (#26).
 - For Handheld Shower Wand Installation
 - Make sure 1/2" threaded elbow (#32) is installed in place securely inside the wall.
 - Apply Teflon tape onto threads and screw "Quick Connector" (#33) into threaded elbow (#32).
 - Slide escutcheon (#34) over "Quick Connector" (#33). NOTE: For "Quick Connector" (#33) installation details, refer to the enclosed General Instruction for "Quick Connector".
 - Install water outlet (#36) into "Quick Connector" (#33). Pin (#35) is inserted only into square outlet.
 - Use Allen wrench (#40) to secure set screw (#37).
 - Determine location of handheld shower holder (#31).
 - Mark position of mounting bracket (#29) on the finished wall.
 - Drill holes per marks and insert plastic anchors (#27) into the finished wall.
 - Secure mounting bracket (#29) against the wall by fastening screws (#28).
 - Secure holder (#31) with set screws (#30) using Allen wrench (#40).
 - Insert rubber washers (#38) into the thread fittings of flex hose (#39).
 - Thread flex hose (#39) onto water outlet elbow (#36) and handheld shower wand (#41) at the end of flex hose (#39).
 - To seal and prevent water from leaking behind trim pieces, apply a small bead of silicon between the finished wall and the top and side edges of cover plate (#6) or the two escutcheons (#23 and #34). For round plates, apply to the top arc.

Cleaning and Maintenance Instructions

For Pressure Balancing Cartridge (#5) as shown in Fig. 1:

- Close two integral check stops (#2) by turning clockwise with a flat head screwdriver.
- After removing retaining nut (#19) using an adjustable wrench or a 1-11/32" socket wrench, use two fingers to grasp the cartridge stem and wiggle, then pull out.
- You may soak it in vinegar to remove calcium build-up and any debris.
- If check valves (#5-2) are plugged with dirt and debris, remove check valves from raised block (#5-3). Use small needle to remove dirt and debris under the running clean water.
- Insert the pressure balancing cartridge (#5-1) with raise block (#5-3) attached by aligning position pins with

position holes. Replace the retaining nut (#19).

For Diverter Cartridge (#17) as shown in Fig.1:

- Turn off pressure balancing cartridge (#5).
- After removing retaining nut (#18) using an adjustable wrench or a 29/32" socket wrench, pull the diverter cartridge (#17) out.
- You may soak it in vinegar to remove calcium build-up and any debris.
- To install diverter cartridge (#17), insert cartridge into valve body by aligning position pin on the bottom of diverter cartridge (#17) with position hole. Use two thumbs to push the diverter cartridge (#17) into the valve body.
- The diverter cartridge (#17) is properly installed if it can not be turned to left or right by hand.