

Limited Lifetime Faucet Warranty

Fluid™ warrants its faucets to be free from defects in material and workmanship for as long as the original consumer/purchaser/owner owns his or her home.* Plastic and rubber components are warranted for a period of two years. This warranty applies only to original installation locations. If a defect is found in normal residential use, Fluid™ will, at its election, repair, provide a replacement part or product, or make the appropriate adjustment.

Fluid™ reserves the right to examine the product in question and its installation prior to replacement. This warranty is limited to replacement of defective parts only. Damage to a product caused by accident, improper installation, misuse or abuse, improper care of finishes, hard water or mineral deposits, potassium or salt based water softener systems or exposure to corrosive materials is not covered by this warranty. Improper care and cleaning will void the warranty.** Replacement parts can be obtained from your local dealer or directly from the Fluid™ warehouse, (shipping charges may apply). Dated proof of purchase must accompany all warranty claims. This warranty applies only to Fluid™ faucets installed in the United States of America, Canada or Mexico (North America).

Fluid™ recommends using a certified plumber for faucet installation and repair. Incidental and consequential damages, labor charges, repair or replacement costs are expressly excluded. In no event shall the liability of Fluid™ exceed the purchase price of the faucet. Some states and provinces do not allow the exclusion or limitation of incidental or consequential damages, so the above limitation may not apply to you. This warranty gives you specific legal rights which vary from state/province to state/province. If you find any such problem with your product, please immediately contact your nearest Fluid™ dealer or sales representative.

fluid | Sustainable Solutions

Need Help?

For additional assistance
Toll Free: 1 800 460 7019
Fax: 1 604 430 5050
help@sustainablesolutions.com
www.sustainablesolutions.com

* Two year warranty on commercial applications.

** Never use cleaners containing abrasive cleansers, ammonia, bleach, acids, waxes, alcohol, solvents or other products not recommended for surface finishes. This will void the warranty.

This product meets or exceeds the following standards:

ASME A112.18.1 / CSA B125.1

This product has been tested and certified by IAPMO.



IAPMO LISTED



Sustainable Solutions

Sustainable Solutions
Phone: 1 800 460 7019
www.SustainableSolutions.com

Free Standing Tub Filler / VO/ 2020

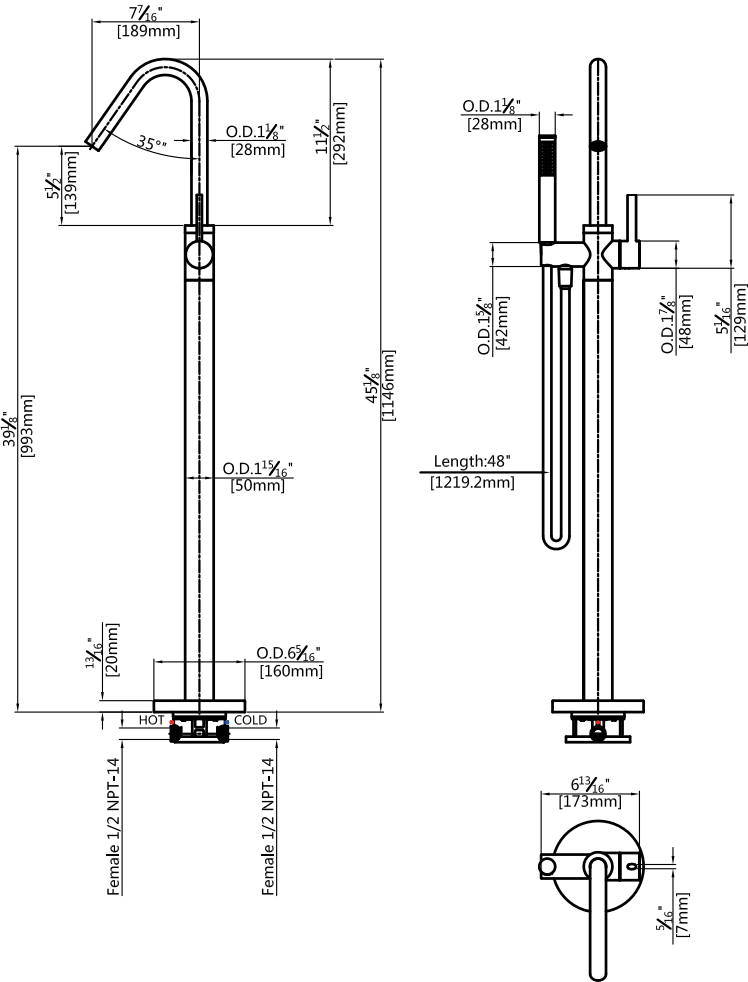
Installation Instructions for Free Standing Tub Filler



Do not complete and cover over concealed base installation until it has been fully water pressure tested for any leaks.

Please Keep This Manual For Future Reference

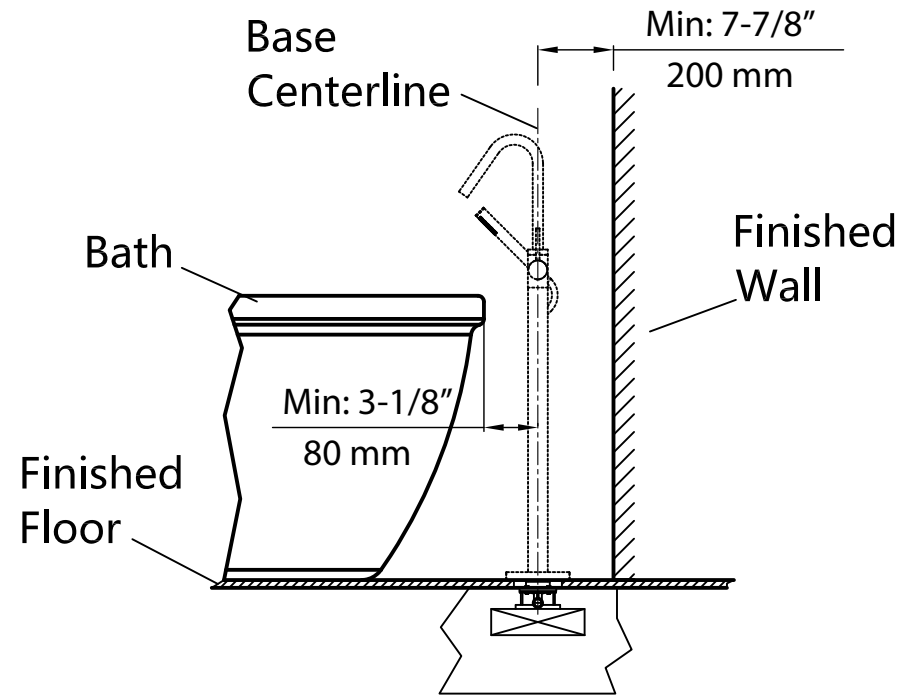
Technical Information








Flow Rate:
 Spout Flow Rate: 6 gpm (22 lpm) at 45 psig
 Hand Shower Flow Rate: 1.8 gpm (6.8 lpm) at 60psig
 Operation Pressure: 20 - 80 psig
 Cold & Hot Water Inlet: 1/2" NPT

NOTES:
 Adequate floor support is required. The wood support must be a minimum of 2" (51mm) thick by 6" (152mm) wide. 2"x6" lumber is NOT adequate for this application. Concrete can be used as the floor support.

Recommended Installation Layout



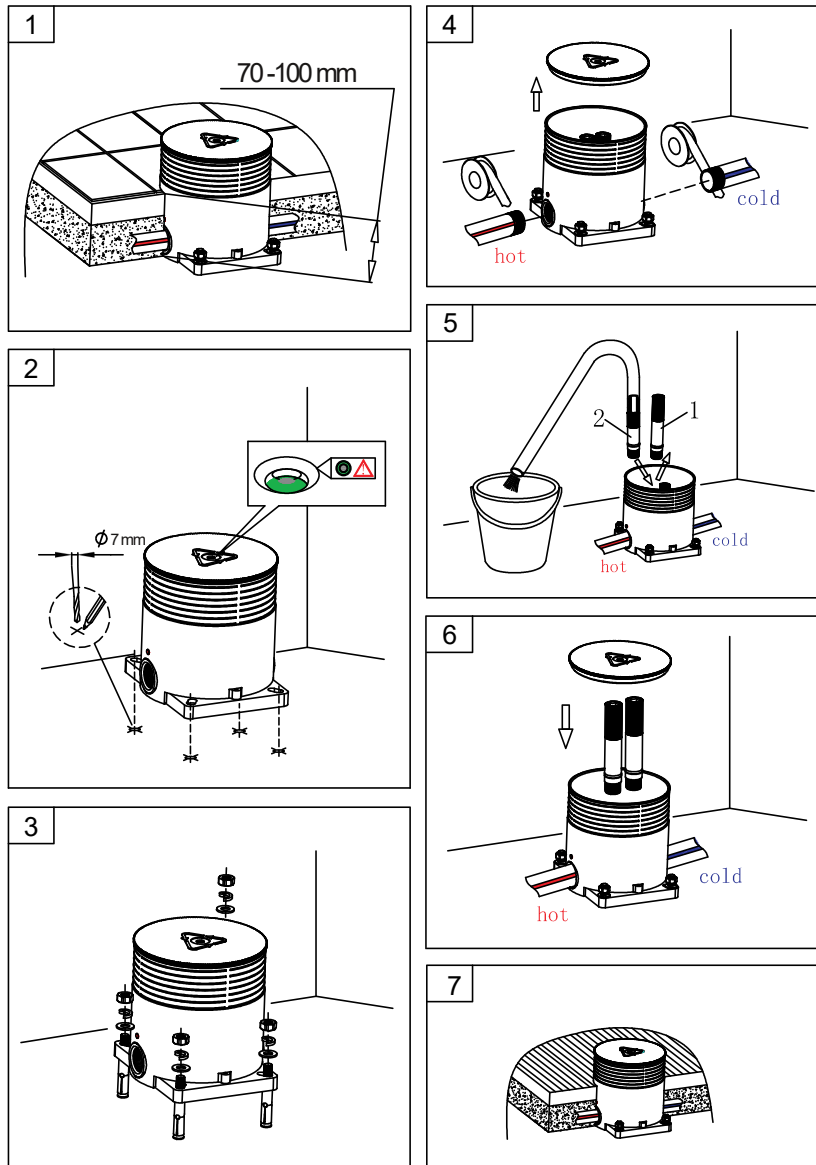
Tools Required for Installation

-  Teflon Tape
-  Adjustable Wrench
-  Drill with proper drill bit
-  Screw Driver
-  Allen Wrench

Concealed Base Installation Instructions for Concrete Floor

NOTE: Plan out the proper location of free standing tub filler.

1. Mark the location of 4 mounting bolts for the concealed base on the mounting floor and ensure that the finished floor is set in the depth between the MIN of 70mm and the MAX of 100mm from the bottom of the concealed base.
2. Use the supplied 7mm drill bit to drill at the four pre-marked loctions.
3. Securely attach the concealed base onto the mounting floor with the supplied mounting bolts and adjust the mounting bolts so that the bubble is in the center of level.
4. Connect the cold water supply to the 1/2" NPT cold inlet port (marked in blue) and hot water supply to the 1/2" NPT hot inlet port (marked in red) with Teflon tape.
5. After lifting and removing the top plastic cover, replace the seal plug (#1) with the supplied connector (#2) and the the supplied PVC hose on the cold and hot water outlet port, one at a time, to purge debris and dirt in the cold and hot water supply lines.
6. After purging both cold and hot supply lines, re-install the seal plugs on both the cold and hot water outlet ports and conduct a pressure and water leak test. Replace the plastic top cover.
7. Complete the finished concrete floor and ensure that the finished floor is between the MIN of 70mm and the MAX 100mm from the bottom of the concealed base.



Tools Required for Installation



Teflon Tape



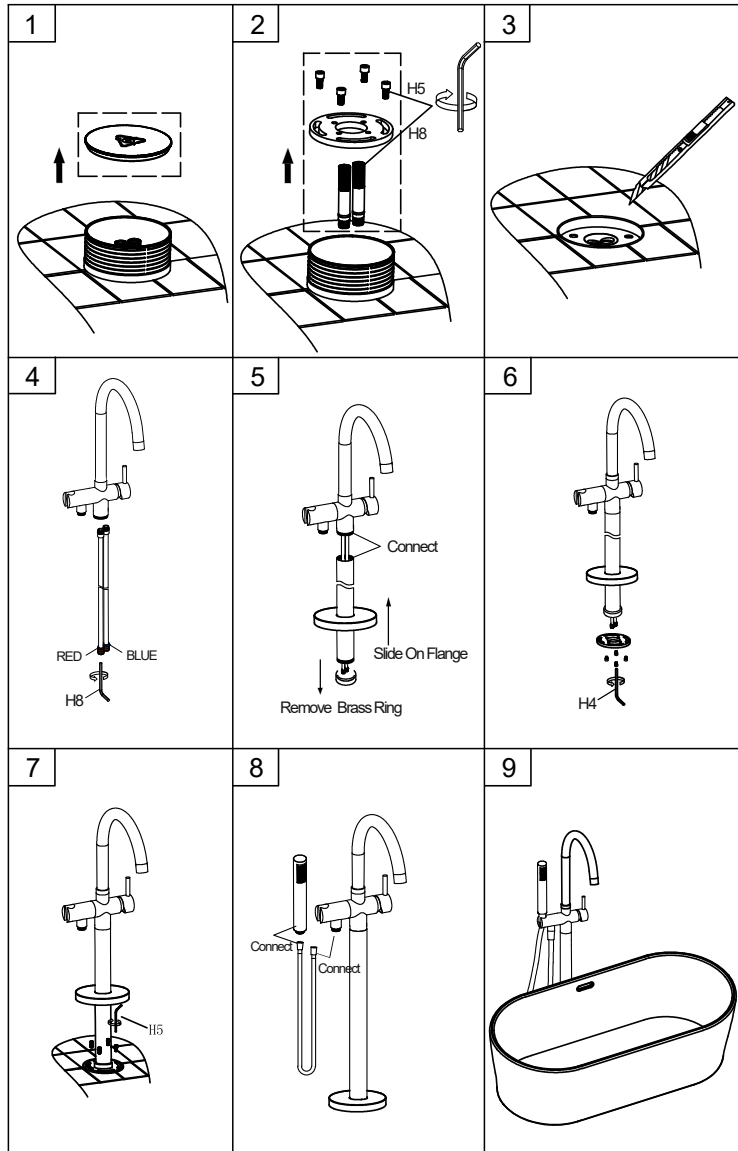
Screw Driver



Adjustable Wrench



Allen Wrench (Supplied)



Faucet Installation Instructions

1. Lift and remove the top plastic cover.
2. Use the supplied 8mm H8 Allen wrench to remove the plastic seal plugs, and discard. Use the supplied 5mm H5 Allen wrench to untighten the 4 screws and remove the mounting plate.
3. Use a utility knife to cut off and remove the plastic mud guard so that it lies flush with the finished floor.
4. Screw the supplied copper tube with the blue color O ring into the cold water port (marked in blue), located on the bottom of the faucet body. Screw the supplied copper tube with the red color O ring into the hot water port (marked in red). Insert the supplied 8mm H8 Allen wrench into the bottom of each copper tube and tighten.
5. Unscrew and remove the brass ring from the bottom of the long pipe column. Screw and tighten the long pipe column onto the faucet body by hand to stop. Wet the rubber seal on the large flange cover with soapy water and slide it onto the long pipe column.
6. After screwing and tightening the brass ring onto the bottom of the long pipe column, securely attach the mounting plate onto the brass ring with 4 supplied bolts and the supplied 4mm H4 Allen wrench.
7. Position the entire faucet onto the concealed base and rotate it to the desired orientation. Secure the mounting plate onto the concealed base by tightening the supplied 4 bolts with the supplied 5mm H5 Allen wrench. Press the large flange cover onto the finished floor.
8. Untighten the set screw for the spout with the supplied Allen wrench and rotate the spout to the desired orientation. Finally tighten the set screw to fix the spout at the desired position.
9. Connect the hand shower to the tub filler with the supplied flexible hose.

Operation Instructions

This free standing tub filler uses an advanced ceramic cartridge with two way diverter.

1. When the handle lever points upwards, the tub filler is on the OFF position.
2. To fill the bath tub, rotate the handle towards the "tub spout" laser mark etched on the hand hub. Water temperature will increase as the handle rotates further.
3. To use the hand shower, rotate the handle towards the "hand shower" laser mark etched on the hand hub. Water temperature will increase as the handle rotates further.