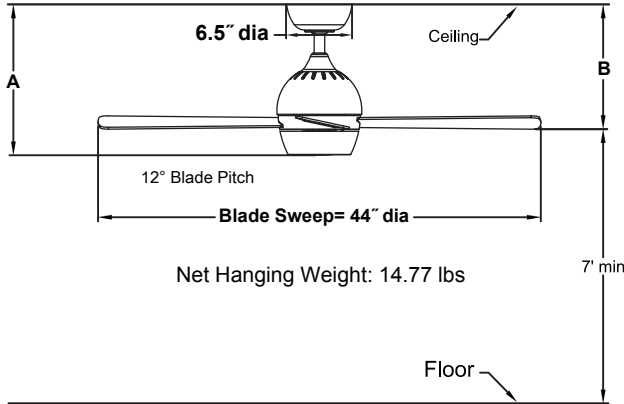


KWAD™ 44**FP7644******44" Ceiling Fan**

	A	B
Fan w/4.5" downrod	15.05"	12.27"
Fan w/12" downrod	22.55"	19.77"
Fan w/18" downrod	28.55"	25.77"
Fan w/24" downrod	34.55"	31.77"
Fan w/36" downrod	46.55"	43.77"
Fan w/48" downrod	58.55"	55.77"
Fan w/60" downrod	70.55"	67.77"
Fan w/72" downrod	82.55"	79.77"

INSTALLATION REQUIREMENTS:

Ceiling fan attaches to electrical junction box securely anchored and capable of withstanding a load of at least 35 lbs.

ELECTRICAL REQUIREMENTS:

Ceiling fan requires a grounded electrical supply line of 120 volts AC, 60 Hz, 15 amp circuit.

MOTOR SPECS:

153 x 13 AC motor is designed for optimal performance with this fan.

BLADE SETS:

A set of four 19.49" plywood blades is included.

CONTROL OPTIONS:

TR500 hand-held remote control is included. Push button remote control with variable fan speeds, infinite light levels and off button. Optional WC2WH, WR501WH and CWRL4 wall controls, BTCR9 and CRL4WH hand-held remote controls and BTR9 receiver unit and WFR50 WiFi receiver unit are available—sold separately. Instructions are provided with each control.

LIGHTING OPTIONS:

One 18-watt dimmable LED included.

DOWNROD OPTIONS:

Fan comes with 1" dia. x 4.5" long downrod (DR1-4.5). Optional downrods available in 12", 18", 24", 36", 48", 60", and 72" lengths. A downrod coupler is available for installations requiring a downrod longer than 72". Fan can be mounted on a sloped ceiling up to 27°. Most sloped ceiling installations require a downrod longer than the standard 4.5" downrod. Optional sloped ceiling kits (SCB1-52) are available for slope an angles up to 42°. Optional close-to-ceiling kit is available as well—sold separately. Call technical support for more information.

LOCATION USE:

Fan is rated for dry locations only.

Available Finishes

BL	Black with Black Blade and Opal Frosted Glass
BN	Brushed Nickel with Brushed Nickel/Black Blade and Opal Frosted Glass
BS	Brushed Satin Brass with Matte White Blade and Opal Frosted Glass
CH	Chrome with Black Blade and Opal Frosted Glass
DZ	Dark Bronze with Cherry/Dark Walnut Blade and Opal Frosted Glass
GR	Matte Greige with Weathered Wood Blade and Opal Frosted Glass
MW	Matte White with Matte White Blade and Opal Frosted Glass

Airflow / Energy Efficiency Info (120V)

Fan Speed	Max RPM	CFM	CFM / Watts	Amps	Watts
High	195	3533	80	0.37	44
Med	140	2633	105	0.28	25
Low	84	1497	147	0.18	10

Energy Guide FTC

Power (W _{ave})	Total Air Delivery (CFM _{ave})	Estimated Yearly Energy Cost (\$)	Ceiling Fan Efficiency (CFM/W)
29	2579	8	88

Light Bulb Information (120V)

Bulb Type	Watts	QTY	Lumens Amount	Color Temp	CRI
LED	18	1	1500	3000	90%