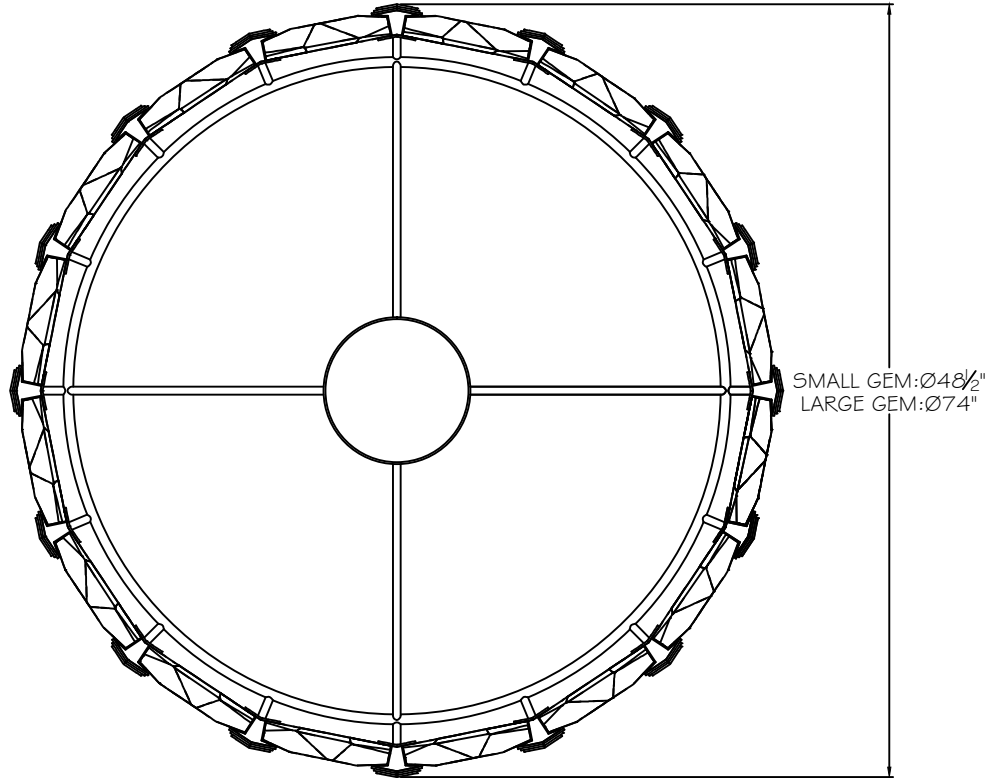
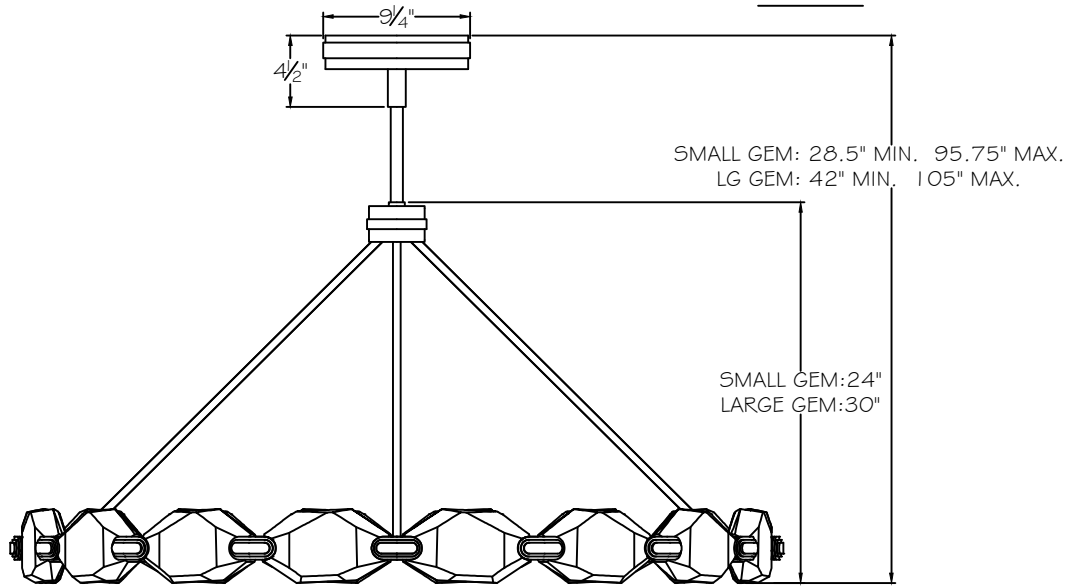


CUSTOMER REFERENCE DRAWING



TOP VIEW



SMALL GEM: 28.5" MIN. 95.75" MAX.  
 LG GEM: 42" MIN. 105" MAX.

SMALL GEM: 24"  
 LARGE GEM: 30"

FRONT VIEW

THUMBNAIL IMAGES OF STYLE OPTIONS:

-1ST-SILVER  
 -2ST-GOLD  
 -3ST-BRONZE



SMALL GEM

-1ST-SILVER  
 -2ST-GOLD  
 -3ST-BRONZE



LARGE GEM

**FINE  
 ART  
 LAMPS®**  
 EST. 1940

This drawing, specifications and the product depicted are the exclusive property of FINE ART LAMPS®. In compliance with US copyright and patent requirements, notice is hereby given that this document and the product depicted shall not be copied, altered or used in any manner without the expressed written consent of FINE ART LAMPS®.

www.fineartlamps.com  
 Tel:(305) 821-3850 Fax:(305) 821-1564

STYLE NUMBER:

873140

DATE:

5/26/2015