

LIVING DISTRICT

Collection:Kenna

Installation manual for:

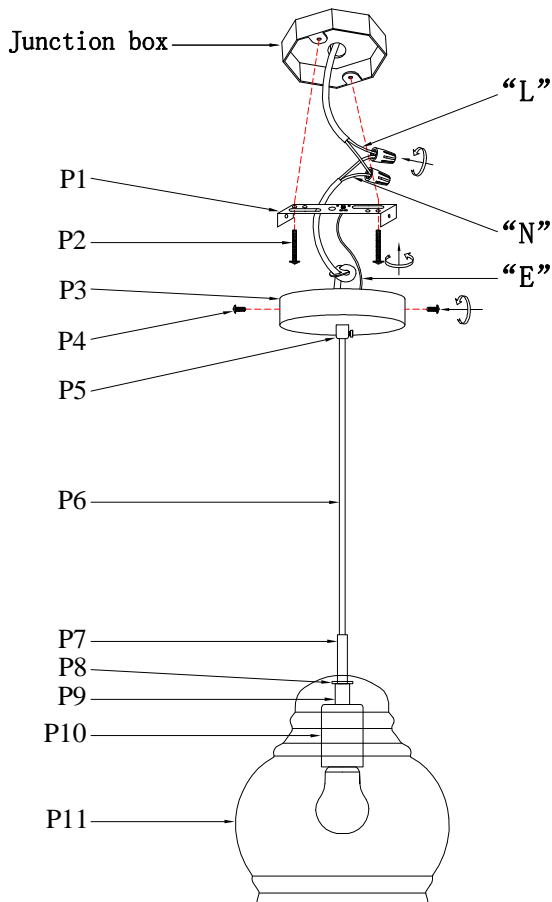
LD2252C D8. 1"H8. 7"L1

Installation instructions:

1. Black wire from ceiling(junction box) attaches to "L"wire from the fixture.
2. White wire from ceiling(junction box) attaches to "N"wire from the fixture.
3. "E" wire from the fixture is attached to the mounting bracket and an additional "E" wire from the mounting bracket must be secured to the junction box.
4. Secure mounting bracket to the junction box.
5. Insert screws(P2) in side of top unit the mounting bracket.
6. Fix the Mounting bracket(P1) to the Canopy and tighten by the screws(P4).
7. Install the bulbs into the lamp fixture.(Bulb not included).

The end!

PARTS LIST



"L" = Hot wire
 "N" = Neutral wire
 "E" = Ground wire

part	picture	Description	Qty	Check list
P1		L4.5" Mounting bracket	1	
P2		5/32-32 Screw	2	
P3		ø4.7" Metal Canopy	1	
P4		M4 Screw	2	
P5		Wire lock	1	
P6		Power Cord 60" 18# Black	1	
P7		L1.9" Metal Tube	1	
P8		Silicone pad	1	
P9		Wire lock	1	
P10		E26 Metal Cup	1	
P11		ø8.1" Lampshade	1	