

PRODUCT SPECIFICATIONS

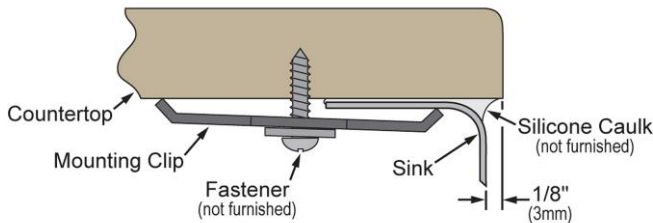
Elkay Crosstown® 16 Gauge Stainless Steel, 30-1/2" x 18-1/2" x 10" Single Bowl Undermount Sink. Sink is manufactured from 16 gauge 304 Stainless Steel with a Polished Satin finish, Rear Center drain placement, and Sound Guard.

| | |
|------------------------------|----------------------------|
| Installation Type: | Undermount |
| Material: | 304 Stainless Steel |
| Finish: | Polished Satin |
| Gauge: | 16 |
| Sound Deadening: | Sound Guard |
| Number of Bowls: | 1 |
| Sink Dimensions: | 30-1/2" x 18-1/2" x 10" |
| Bowl 1 Dimensions: | 28" x 16" x 10" |
| Drain Size: | 3-1/2" (89mm) |
| Drain Location: | Rear Center |
| Minimum Cabinet Size: | 36" |
| Template Included: | Yes |
| Cutout Template #: | 1000001302 |

Template is available for download at [elkay.com](#)

Installation Profile:

1/8" OVERHANG



Designed to affix to the underside of any solid surface countertop.

OPTIONAL ACCESSORIES

| | |
|---------------------|-----------------------|
| Bottom Grid: | CTXBG2614 |
| Drain: | LKDD, LK35 |
| Faucet: | LKAV1031, LKAV2031 |
| Hardware: | LKUCLIP8 (2 Required) |



AMERICAN PRIDE. A LIFETIME TRADITION.

Like your family, the Elkay family has values and traditions that endure. For almost a century, Elkay has been a family-owned and operated company, providing thousands of jobs that support our families and communities.

Product Compliance: ASME A112.19.3/CSA B45.4

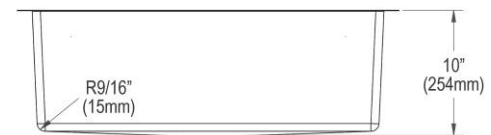
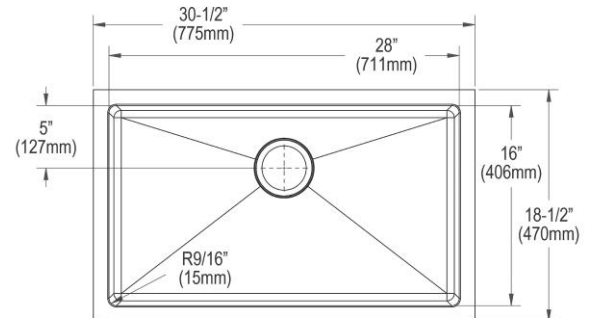


Sinks are listed by IAPMO® as meeting the applicable requirements of the Uniform Plumbing Code®, International Plumbing Code®, and National Plumbing Code of Canada.

[Clean and Care Manual \(PDF\)](#)

[Installation Instructions \(PDF\)](#)

[Limited Lifetime Warranty \(PDF\)](#)



PART: _____ QTY: _____

PROJECT: _____

CONTACT: _____

DATE: _____

NOTES: _____

APPROVAL: _____

In keeping with our policy of continuing product improvement, Elkay reserves the right to change product specifications without notice. Please visit [elkay.com](#) for the most current version of Elkay product specification sheets. This specification describes an Elkay product with design, quality, and functional benefits to the user. When making a comparison of other producers' offerings, be certain these features are not overlooked.