

Undermount Support Kit

- **READ THESE INSTRUCTIONS THOROUGHLY BEFORE YOU BEGIN.**
- **These instructions DO NOT replace the the sink installation instructions that are shipped with the sink. Please refer to the sink installation instructions to complete the installation which will require the sink mounting hardware be positioned on all four sides of the sink.**
- **In addition to the rails, mounting brackets will need to be spaced evenly along the rear and front of the sink.**

1. Identify parts. This pack includes:
 - a) 25" (635mm) or 36" (914mm) rails (2 each)
 - b) Mounting brackets (4 each)
 - c) 2" (51mm) adjusting bolts (8 each)
 - d) Nuts (8 each)
 - e) Plastic bolt caps (8 each)
 - f) Wood screws (16 each)
 - g) Joiner clips (2 each)
(See Illustration 1A) Discard if not using.
2. If needed, cut (with hacksaw) the rails 1/8" (3mm) less than the distance of the inside of the cabinet (front to back only). For sinks that are: round or oval; 25" (635mm) or greater left to right; or double bowl sinks, a second set of rails will be needed. Cut the second set of rails the necessary distance between the first set.
3. Screw adjust bolts into nuts 2 turns and then slide nuts onto rail. Slide into position in desired openings of rail (See Illustration 2). For e-Granite or fine fireclay sink models assemble as shown in Illustration 2A.
4. Determine exact location where rail is to be installed in cabinet. Make sure rail adjustment bolts come into contact with the underside of the sink ledge. Determine exact location where mounting bracket will be installed. Mark on cabinet frame where holes in bracket are located. Drill starter holes where marked using a 3/32" drill bit.
***Note:** Depending upon fabrication of countertop, top of mounting bracket may need to be notched into top of cabinet frame.

5. Screw mounting bracket to sides of cabinet frame.
6. Lower rail into mounting bracket.
7. Slip bolt caps onto end of bolts.
8. Carefully lower the sink onto the bolt caps.
9. Carefully adjust bolts to raise and level the sink flush with the underside of the countertop.
***Note:** Caulk should be used where sink comes into contact with underside of the countertop.
10. This kit is not recommended on sinks with a left or right dimension of 36" (914mm) or greater, or sinks with shapes that do not allow the kit to have sufficient contact.
11. If a rear left to right rail will interfere with faucet installations, use only a left to right rail in front.

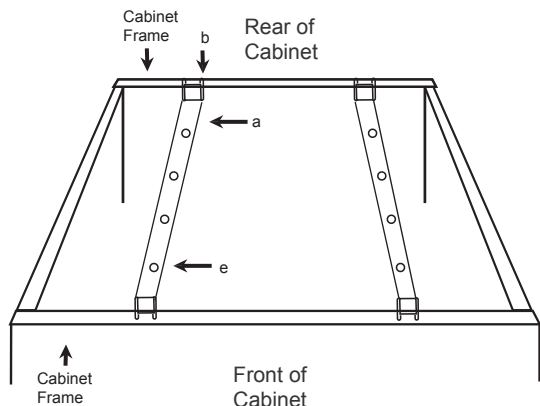


Illustration 1

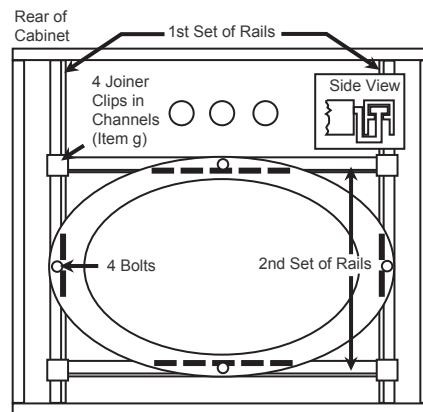


Illustration 1A

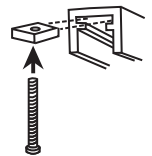


Illustration 2

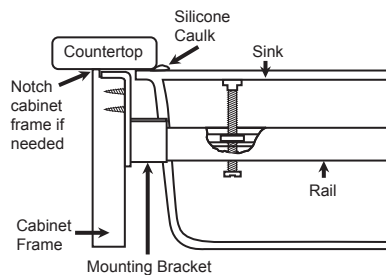


Illustration 3

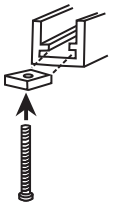


Illustration 2A