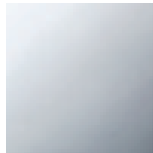




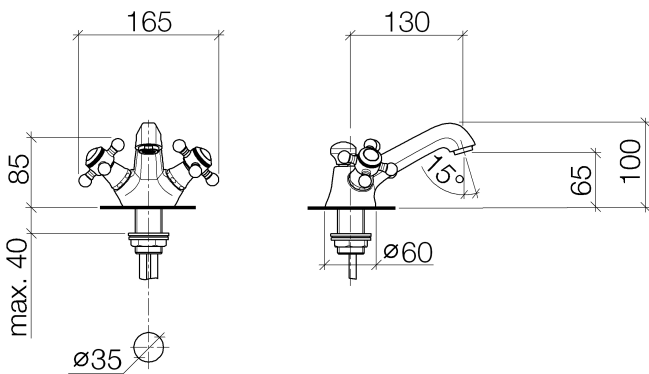
Sink - Madison
Single-hole lavatory mixer with drain - polished chrome
Article number: 22 500 360-00 0010

- 5-1/8" Projection
- US drain with overflow
- Rigid spout
- Round aerated stream
- Total height 3-7/8"
- Height to aerator/spout outlet 2-1/2"
- 1-3/8" hole diameter
- 2x 3/8" US flexible supply lines
- Water flow rate limited to max. 1.2 gpm
- lead-free
- Suitable only for basins with overflow.



polished chrome

Dimensional drawing

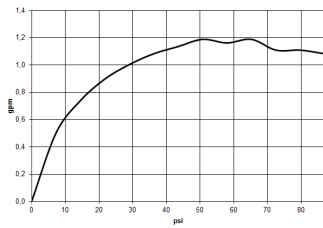




Sink - Madison
Single-hole lavatory mixer with drain - polished chrome
Article number: 22 500 360-00 0010

All dimensions in mm / inch = mm x 0,0394

Flow rate chart





Sink - Madison
Single-hole lavatory mixer with drain - polished chrome
Article number: 22 500 360-00 0010

Other surface finishes



platinum matte
22 500 360-06 0010



platinum
22 500 360-08 0010



Durabrass
22 500 360-09 0010



Brushed Durabrass
22 500 360-28 0010

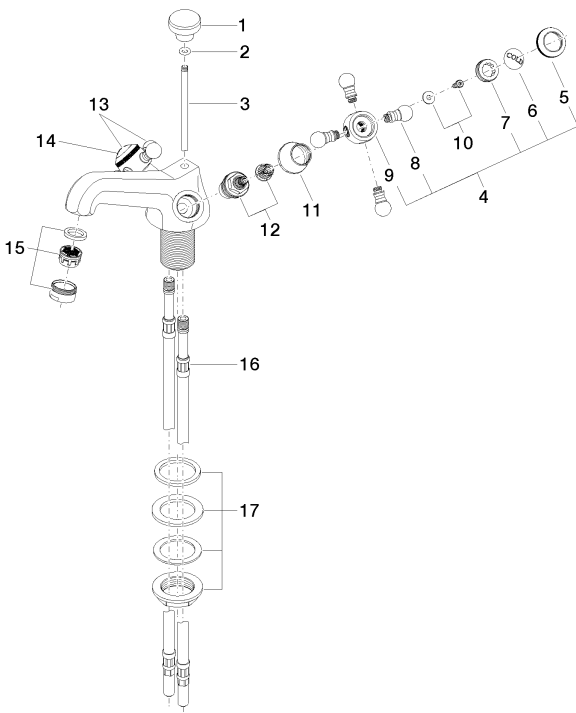


Dark Platinum matte
22 500 360-99 0010

More custom finish options are available via special production (xTra Service). Please see our finish matrix for availability and pricing or contact a Dornbracht representative.

Sink - Madison
 Single-hole lavatory mixer with drain - polished chrome
 Article number: 22 500 360-00 0010

Spare parts list



Number	Item Number	Designation	Number of units
1	09 20 36 030-00	handle	1
2	09 14 10 062 90	seal	1
3	09 31 09 004-00	pull-rod	1
4	04 20 36 002 06-00	handle (cold)	1
5	09 20 36 005-00	handle	2
6	09 26 01 010 90	accessories	1
7	09 20 83 006 90	handle	2
8	09 20 36 004-00	handle	4
9	09 20 36 002-00	handle	2
10	04 30 30 029 00 90	fixing set	2
11	09 21 02 055-00	cover	2
12	90 90 03 151 00 90	top	2
13	04 20 36 002 07-00	handle (hot)	1
14	09 26 01 011 90	accessories	1
15	90 23 01 118 04-00	aerator	1
16	04 30 04 044 00 90	hose	2
17	04 23 10 009 01 90	fixing set	1
18	04 11 01 023 00-00	Drain - polished chrome	1