

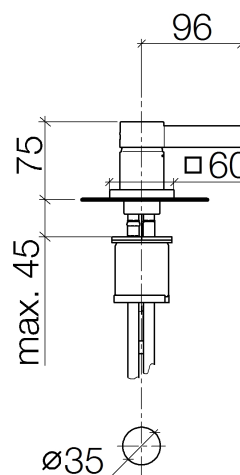


Product specifications

- 1-3/8" hole diameter
- Flange 2-3/8" x 2-3/8"
- 2x 3/8" US flexible supply lines

(ADA)

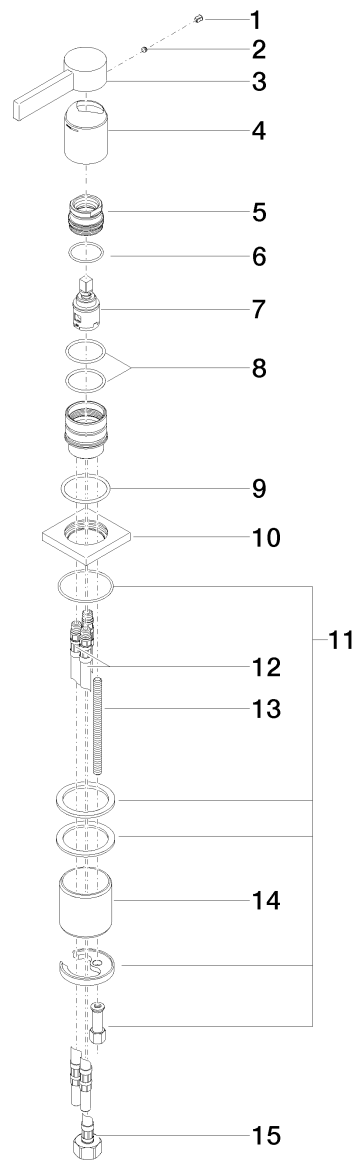
NOTE: Local building codes may require the use of an anti-scald device. Please refer to remote pressure balance valve (35 910 970 90)



Surfaces

- | | |
|-----------------|-----------------|
| • chrome | 29210782-000010 |
| • matt platinum | 29210782-060010 |
| • platinum | 29210782-080010 |
| • Cyprum | 29210782-490010 |

Exploded assembly drawing



Order quantity

No.	Article number	Name	Installation quantity
1	09312001790	plug	1
2	09311106390	pin	1
3	092078057ff	handle	1
4	091102289ff	cover	1
5	09240428890	nut	1
6	09141013790	seal	1
7	9015050420090	cartridge	1
8	09141019290	seal	2
9	09141006790	seal	1
10	092778040ff	rosette	1
11	0430110380290	fixing set	1
12	0430040450090	hose	2
13	09311101290	pin	1
14	09184007990	sleeve	1
15	0430040190090	hose	1

Single-lever lavatory mixer

Article number: 29210782ff0010

