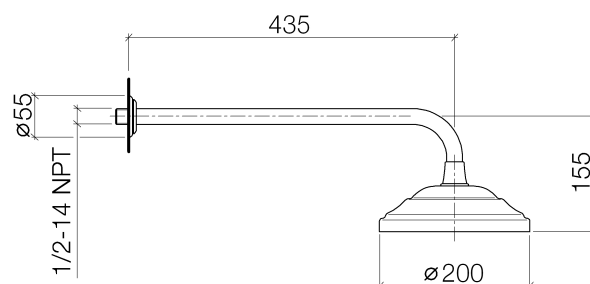




### Product specifications

- **17-1/8" Projection**
- Stream: Rain
- Descaling system
- Rain shower  $\varnothing$  7-7/8"
- Flange diameter 2-1/8"
- 1/2" connection
- Water flow rate limited to max. 2.4 gpm



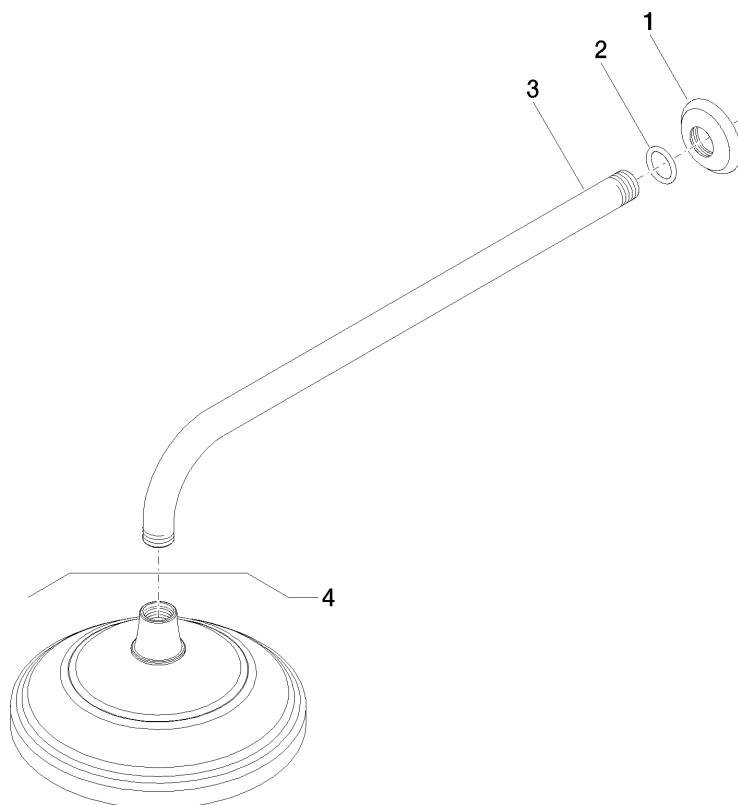
### Surfaces

- |                 |             |
|-----------------|-------------|
| • chrome        | 28545977-00 |
| • matt platinum | 28545977-06 |
| • platinum      | 28545977-08 |
| • brass         | 28545977-09 |

### Accessories required

- Concealed wall elbow; 35 085 970

**Exploded assembly drawing**





**Order quantity**

<b>No.</b>	<b>Article number</b>	<b>Name</b>	<b>Installation quantity</b>
<b>1</b>	092735003ff	rosette	1
<b>2</b>	09141002690	seal	1
<b>3</b>	091103017ff	connection	1
<b>4</b>	28535977ff	shower	1

