

# CRYSTORAMA

1958

95 Cantiague Rock Road, Westbury, NY 11590 • toll free: 1.800.888.4470 fax: 516.931.1254 • info@crystorama.com • www.crystorama.com

## MODEL#: 2264-AG-LED ASSEMBLY AND DRESSING INSTRUCTIONS



It can be mounted both vertically and horizontally.

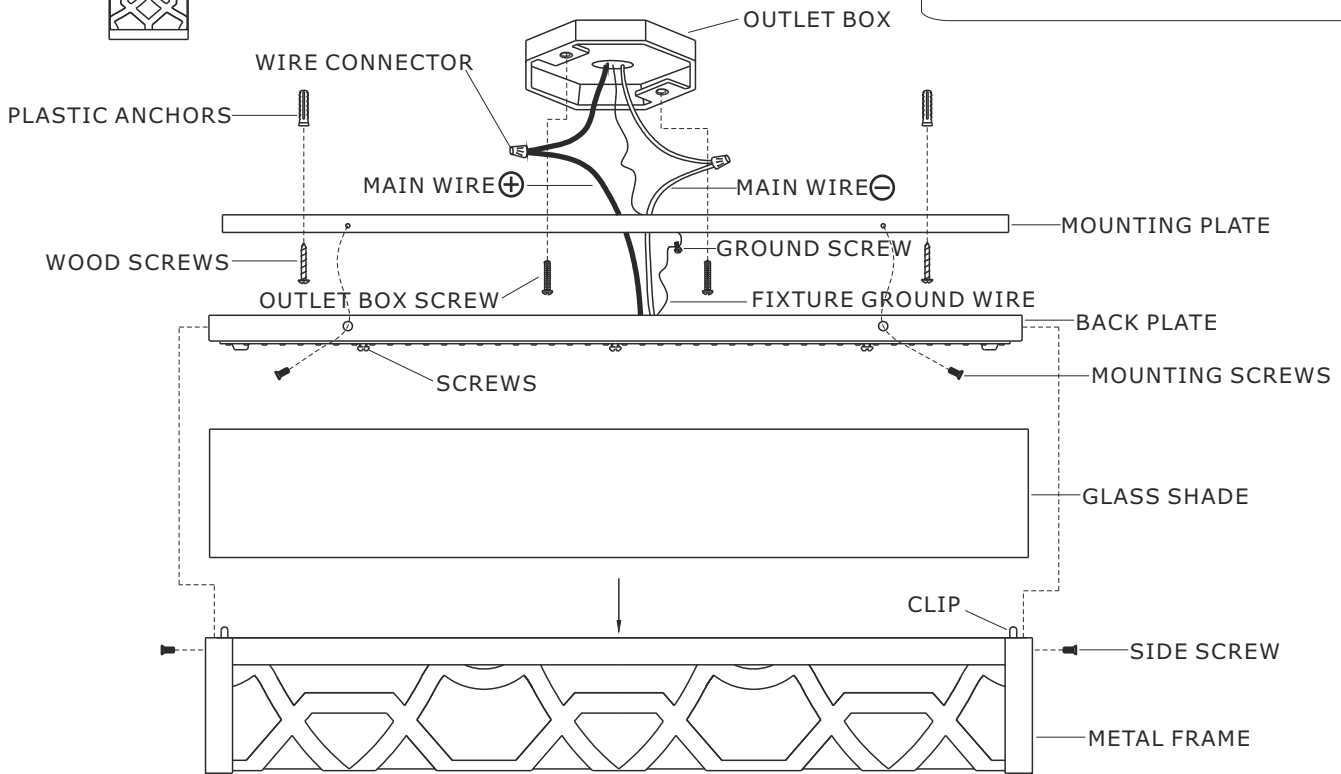


**WARNING:** This product can expose you to Lead which is known to the state of California to cause cancer and/or birth defects or reproductive harm. For more information go to [www.P65Warnings.ca.gov](http://www.P65Warnings.ca.gov)

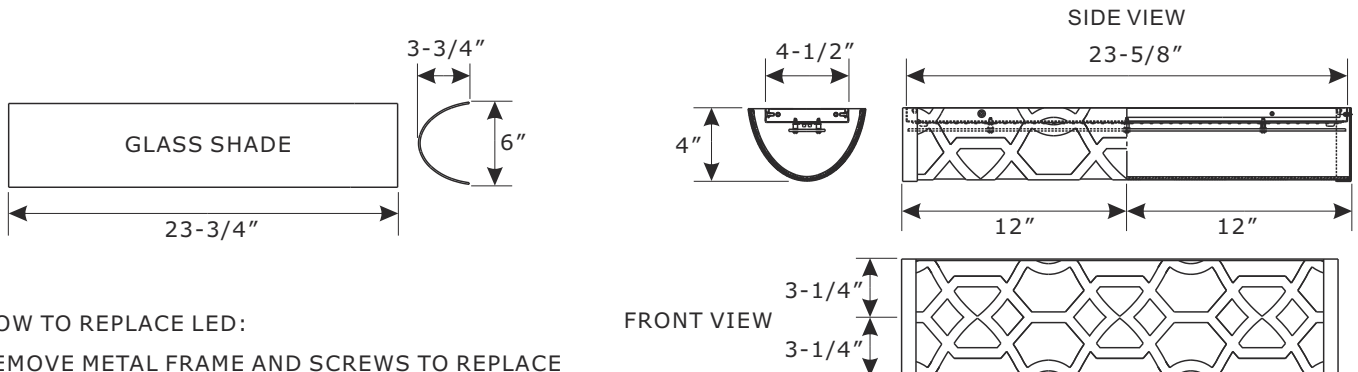
All electrical components must be installed by a licensed electrician in accordance with the National Electric Code and the appropriate local electrical codes.



You will need 1 LED Module, 26 Watts Bulb included.



Place the glass shade inside the metal frame and secure it with the clips.



HOW TO REPLACE LED:  
REMOVE METAL FRAME AND SCREWS TO REPLACE PREVIOUS LED.